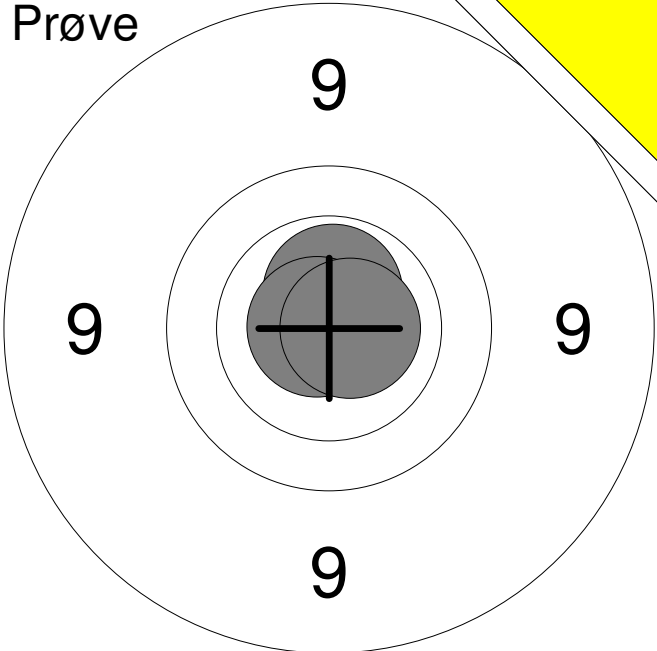
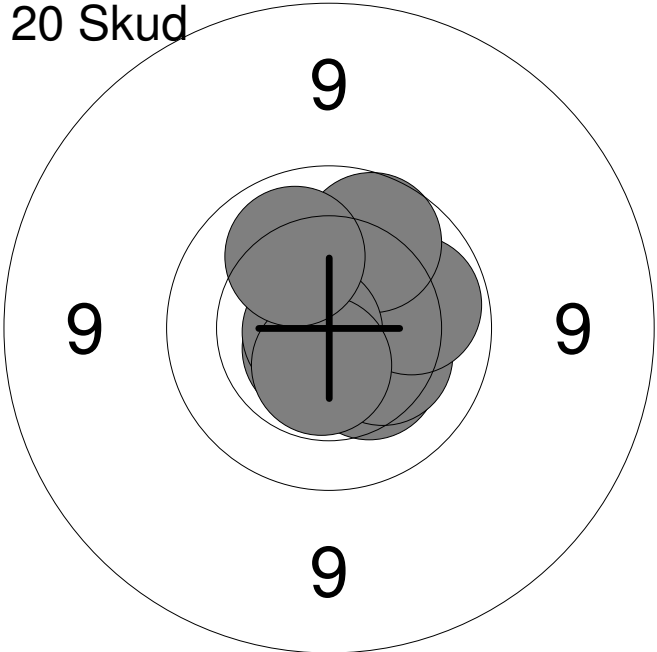
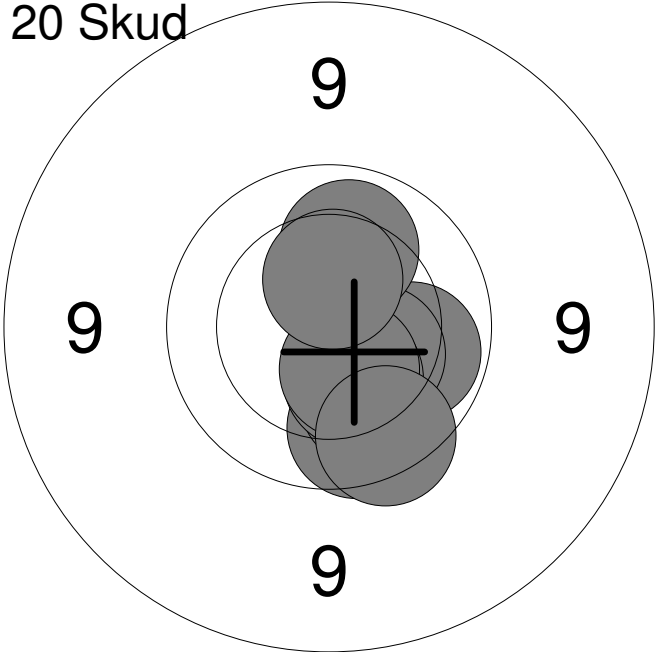
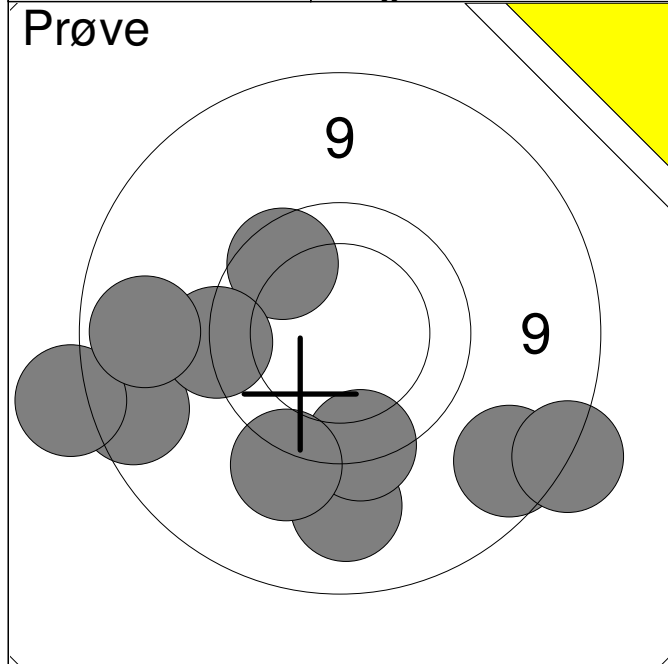
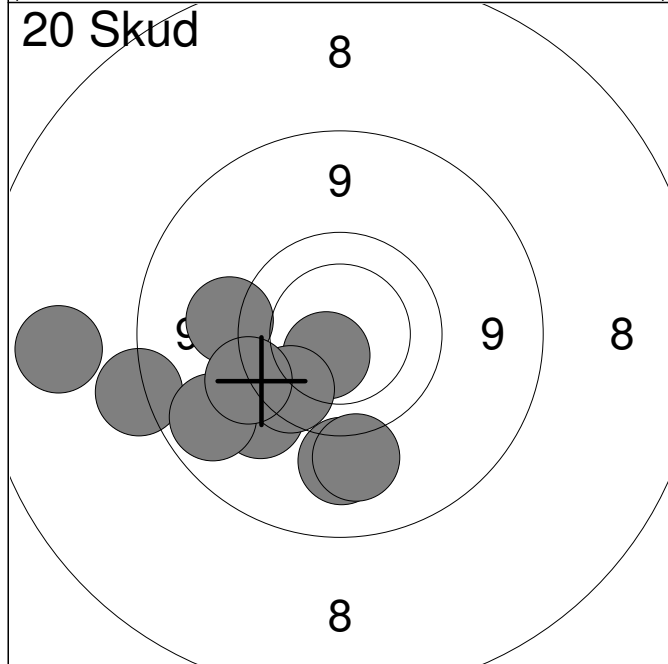


Hold	Skive	Frederik Andersen	
25	1		
15m	Vodskov Skytteforening	BK2	
30.01.2015	Nordjysk mesterskab 2015	Aalborg Skyttekreds	
Prøve		1: 9.5 →	
		2: 9.8 ↗	
		3: 10.4 →	
		4: 10.5x ↑	
		5: 10.4 ↗	
		6: 10.7x →	
Serie		58.0	
Total		0.0	
20 Skud		1: 10.1 ↘	
		2: 10.4 ↑	
		3: 10.6x →	
		4: 10.1 ↗	
		5: 10.5 ↑	
		6: 10.3 ↑	
		7: 9.7 →	
		8: 10.0 ↘	
		9: 10.6x ↘	
		10: 10.5x ↗	
Serie		99.0	
Total		99.0	
20 Skud		11: 10.4 ↘	
		12: 10.2 ←	
		13: 9.6 ↗	
		14: 10.3 ↘	
		15: 9.9 ↗	
		16: 10.3 →	
		17: 10.7x →	
		18: 10.2 ↑	
		19: 10.9x ↘	
		20: 10.6x ↘	
Serie		98.0	
Total		197.0	

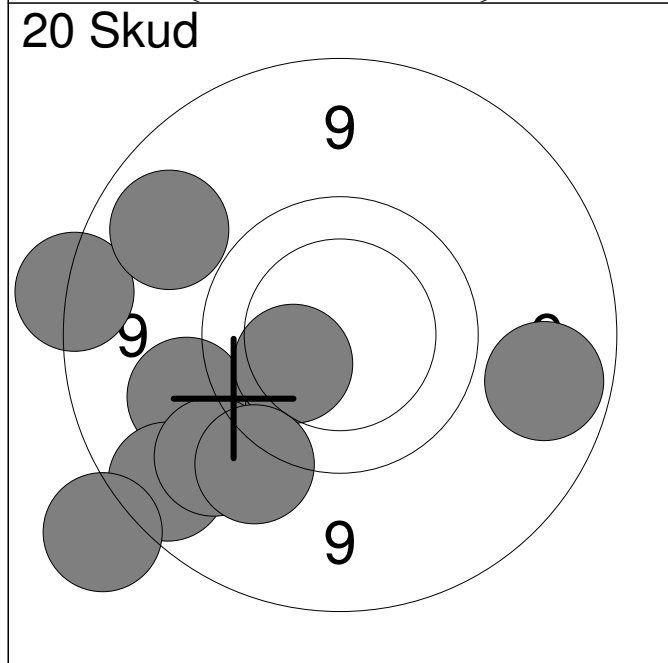
Hold	Skive	Anton Christensen		
25	2	15m	Frederikshavn Skyttekreds	J1
30.01.2015	Nordjysk mesterskab 2015	Aalborg Skyttekreds		
Prøve 	1:	10.6x	↑	
	2:	10.8x	←	
	3:	10.7x	→	
	Serie	30.0		
Total	0.0			
20 Skud 	1:	10.3	↘	
	2:	10.5x	↘	
	3:	10.7x	↘	
	4:	10.3	↘	
	5:	10.0	→	
	6:	10.7x	↙	
	7:	9.9	↗	
	8:	10.8x	←	
	9:	10.5x	↘	
	10:	10.1	↗	
	Serie	99.0		
Total	99.0			
20 Skud 	11:	10.2	↘	
	12:	9.9	↘	
	13:	10.1	↘	
	14:	10.0	↘	
	15:	10.4	↘	
	16:	10.3	↘	
	17:	10.4	↘	
	18:	9.8	↘	
	19:	10.1	↗	
	20:	10.4	↗	
	Serie	98.0		
Total	197.0			



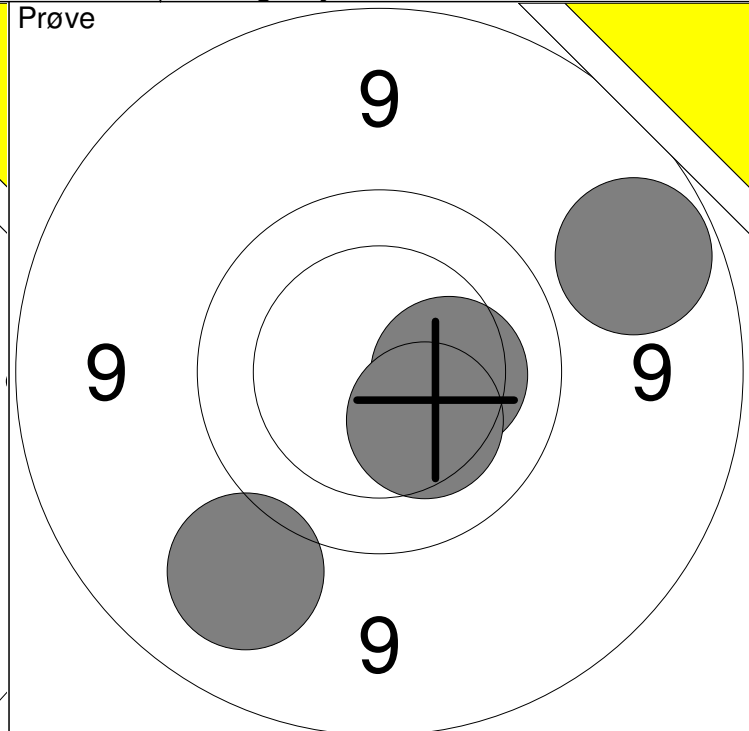
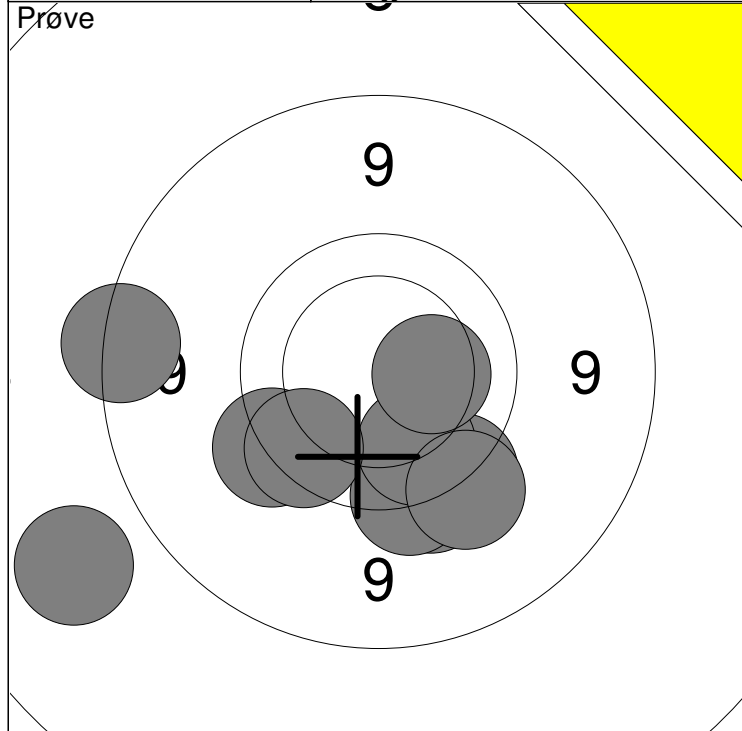
1:	8.9	↘
2:	9.8	↗
3:	8.9	←
4:	9.6	←
5:	9.2	↓
6:	8.7	↘
7:	8.6	←
8:	9.6	↓
9:	9.4	↘
10:	9.0	←
Serie		86.0
Total		0.0



1:	9.4	↙
2:	9.3	↓
3:	9.4	←
4:	9.3	↓
5:	10.5x	↘
6:	8.6	←
7:	9.0	↙
8:	9.8	↙
9:	8.2	←
10:	9.5	↙
Serie		89.0
Total		89.0

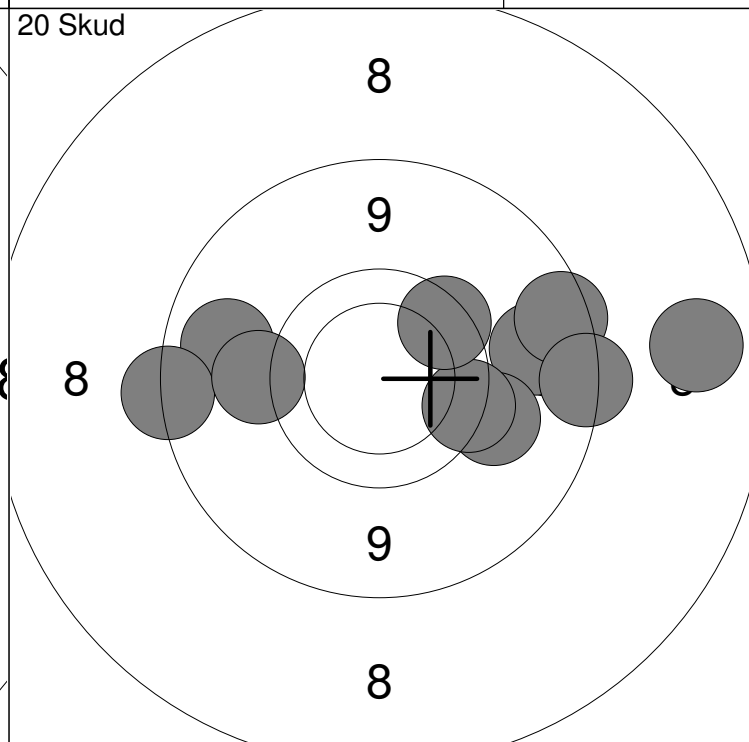
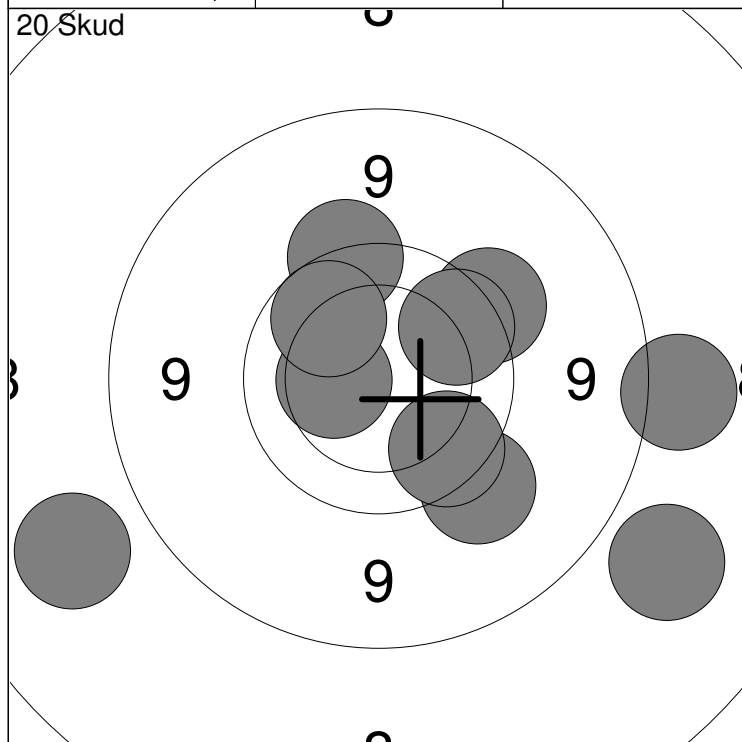


11:	9.4	↙
12:	9.3	←
13:	8.9	↙
14:	10.2	↙
15:	9.3	↙
16:	9.4	↙
17:	8.5	↙
18:	8.7	←
19:	9.1	↗
20:	9.0	→
Serie		88.0
Total		177.0



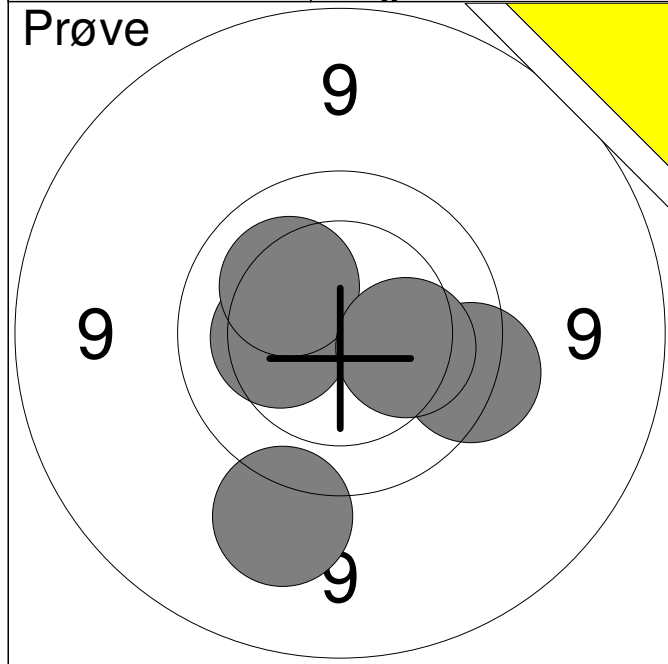
1: 9.6 ↘	6: 9.9 ↘	Serie	89
2: 9.6 ↘	7: 10.3 →		
3: 8.3 ↙	8: 9.6 ↙	Total	0
4: 8.8 ←	9: 9.5 ↘		
5: 9.6 ↘	10: 9.7 ↘		

11: 10.3 →	Serie	38
12: 9.0 →		
13: 9.2 ↙	Total	0
14: 10.3 ↘		



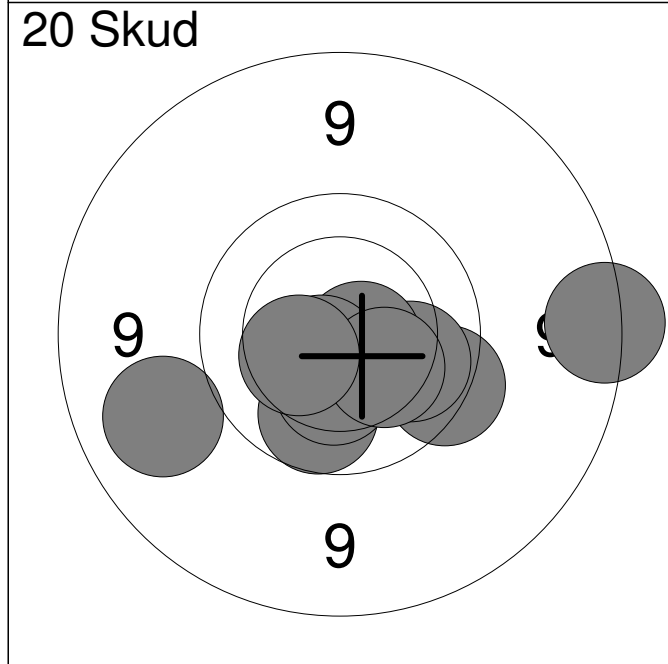
1: 9.6 ↗	6: 9.8 ↗	Serie	88
2: 10.4 ←	7: 9.9 ↗		
3: 8.3 ↙	8: 9.4 ↘	Total	88
4: 8.5 →	9: 9.8 ↘		
5: 9.5 ↗	10: 8.3 ↘		

11: 9.1 ←	16: 9.4 ←	Serie	86
12: 8.7 ←	17: 9.4 →		
13: 9.1 →	18: 9.7 →	Total	174
14: 8.8 →	19: 8.7 →		
15: 8.1 →	20: 9.7 ↗		



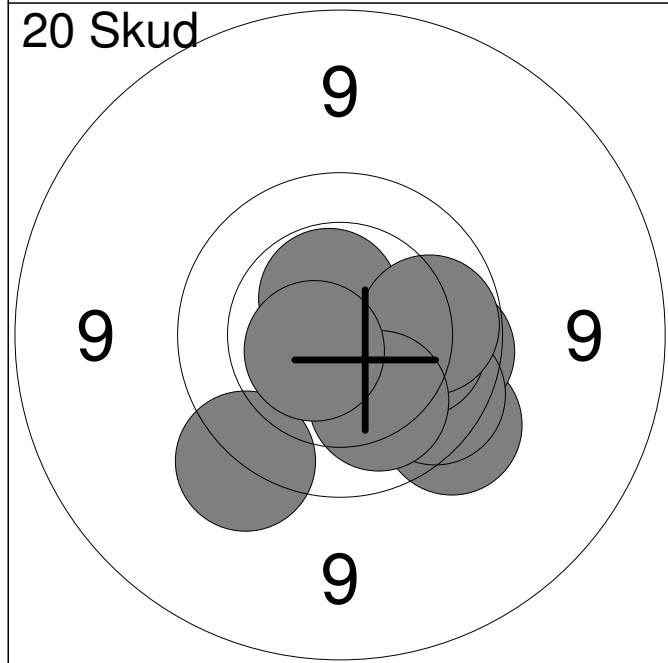
1:	9.3	↘
2:	10.3	←
3:	9.7	→
4:	10.2	↗
5:	10.2	→

Serie	48.0
Total	0.0



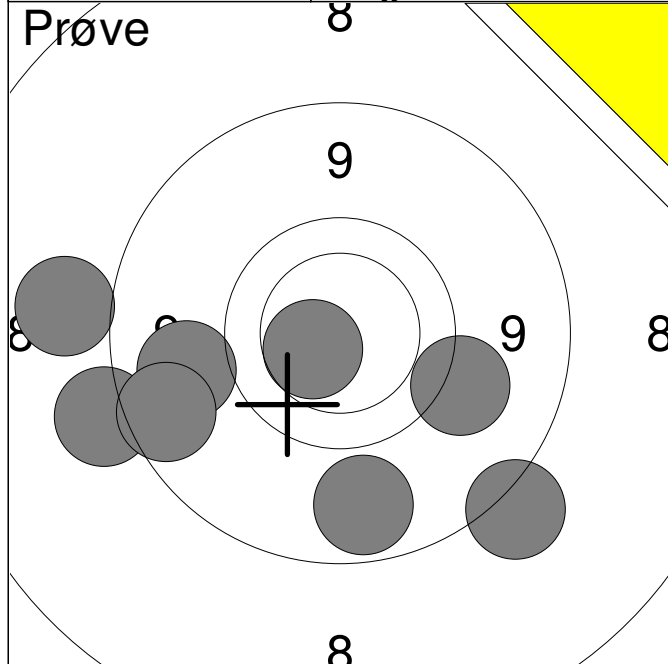
1:	9.9	↘
2:	8.7	→
3:	9.7	↘
4:	10.0	→
5:	10.7x	→
6:	9.1	←
7:	10.6x	↘
8:	10.3	↘
9:	10.3	↘
10:	10.4	↙

Serie	95.0
Total	95.0



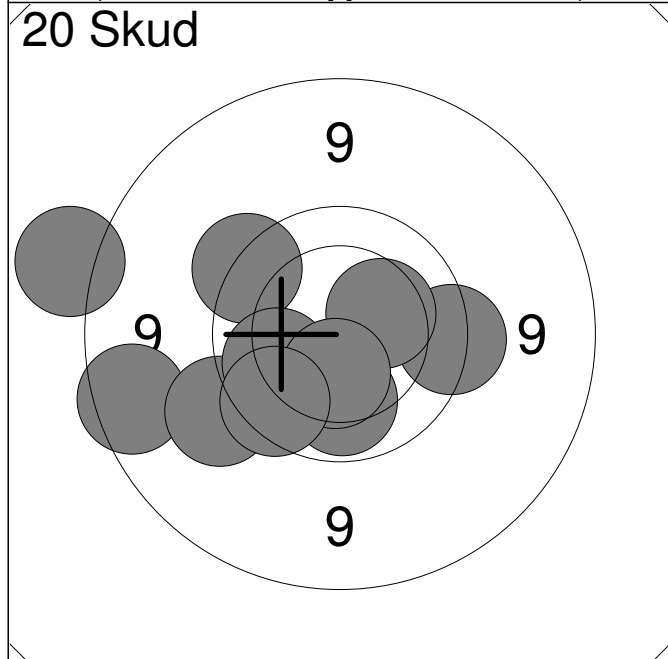
11:	9.9	→
12:	9.5	↘
13:	9.6	↘
14:	9.9	→
15:	9.8	↘
16:	10.5x	↗
17:	10.1	→
18:	10.0	→
19:	10.1	↘
20:	10.6x	↙

Serie	95.0
Total	190.0



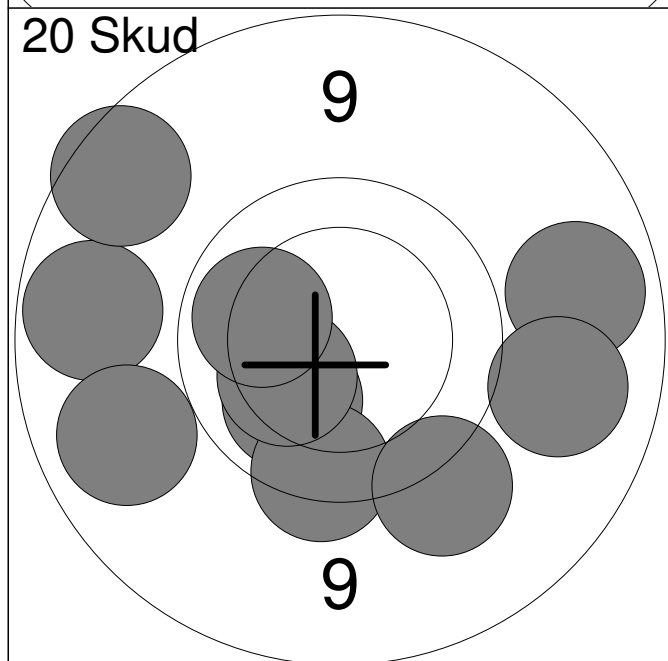
1:	9.4	→
2:	8.6	←
3:	9.2	←
4:	8.6	↓
5:	9.0	↓
6:	10.5	←
7:	8.9	←
8:	8.4	←

Serie	69.0
Total	0.0



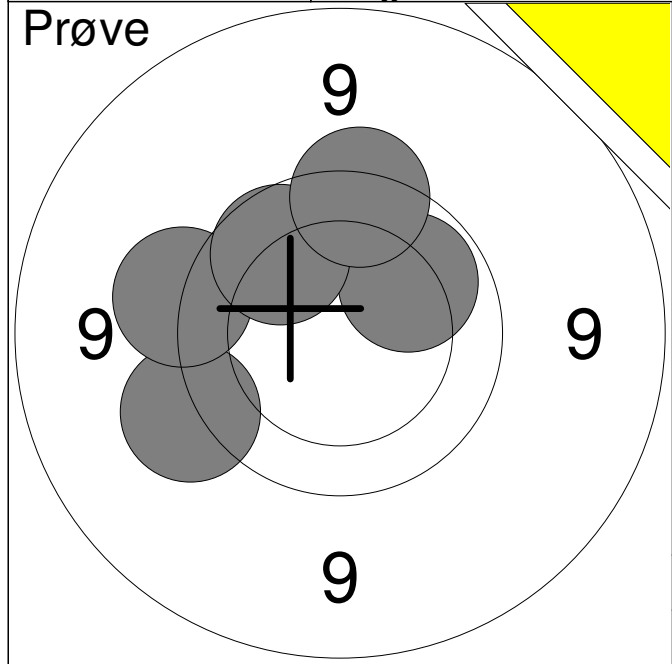
1:	8.9	←
2:	8.5	←
3:	9.6	↗
4:	9.7	→
5:	9.4	←
6:	10.0	↓
7:	10.0	←
8:	10.3	↗
9:	10.4	↓
10:	9.8	←

Serie	92.0
Total	92.0

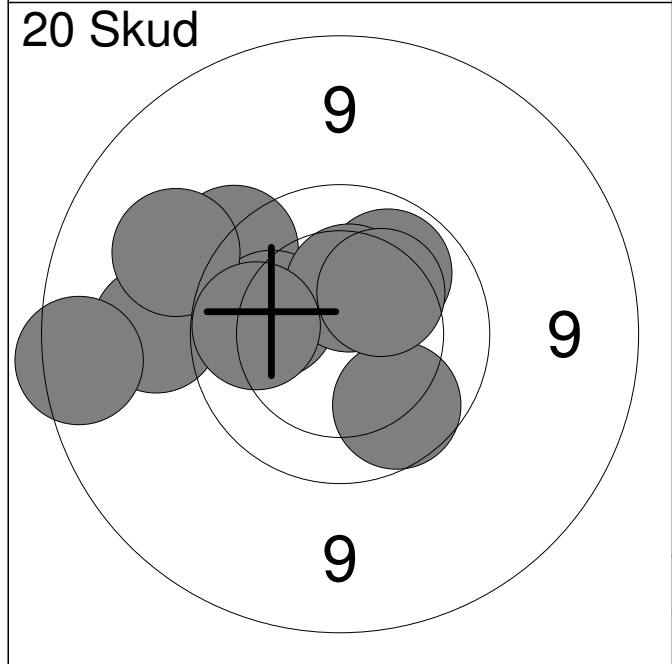


11:	10.1	↙
12:	9.0	→
13:	9.7	↓
14:	10.3	←
15:	10.1	←
16:	9.2	→
17:	9.0	←
18:	8.9	↗
19:	9.4	↓
20:	9.1	←

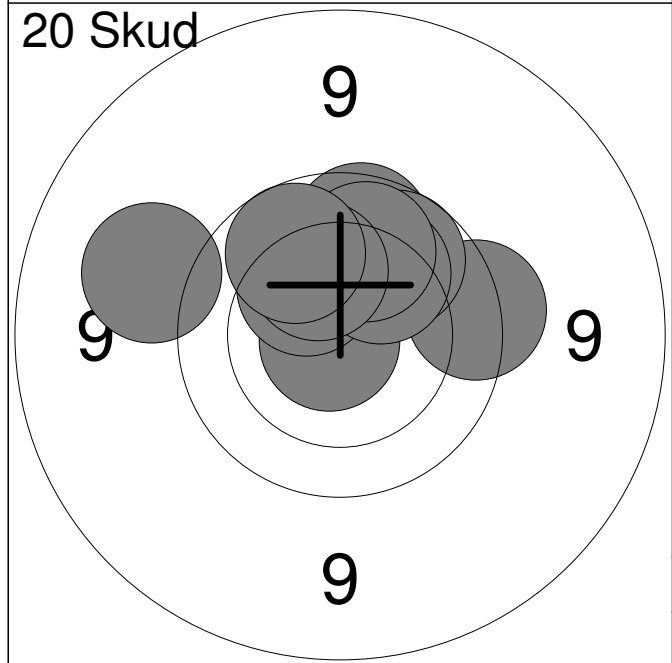
Serie	92.0
Total	184.0



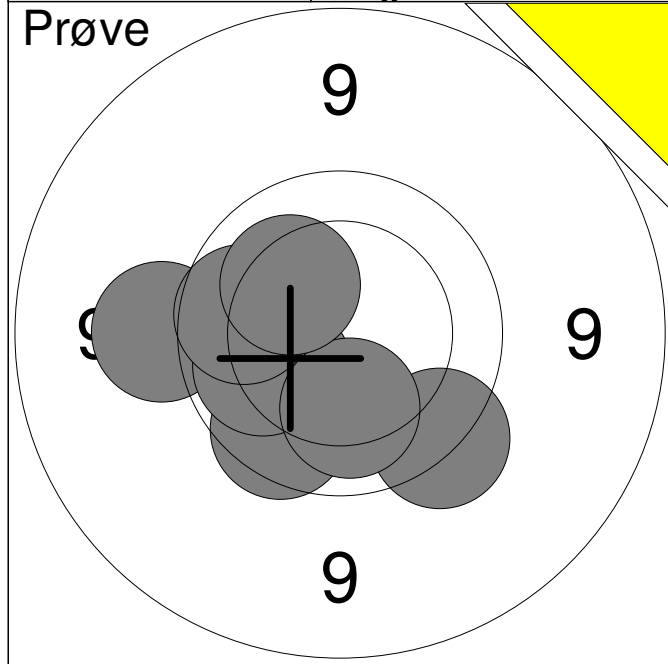
1:	9.5	←
2:	10.0	↗
3:	9.5	←
4:	9.9	↗
5:	9.7	↑
Serie		46.0
Total		0.0



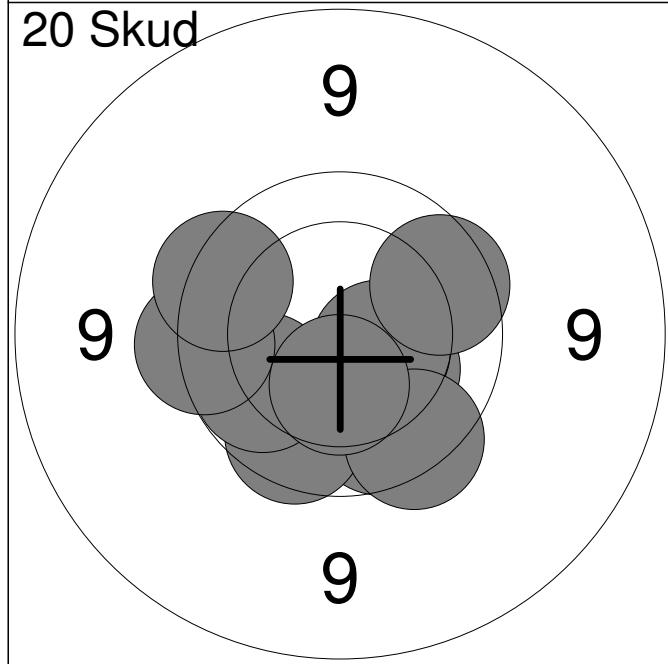
1:	9.3	←
2:	9.6	↗
3:	10.1	←
4:	8.8	←
5:	9.3	↗
6:	10.0	↗
7:	10.4	↑
8:	9.9	↘
9:	10.0	←
10:	10.3	↗
Serie		94.0
Total		94.0



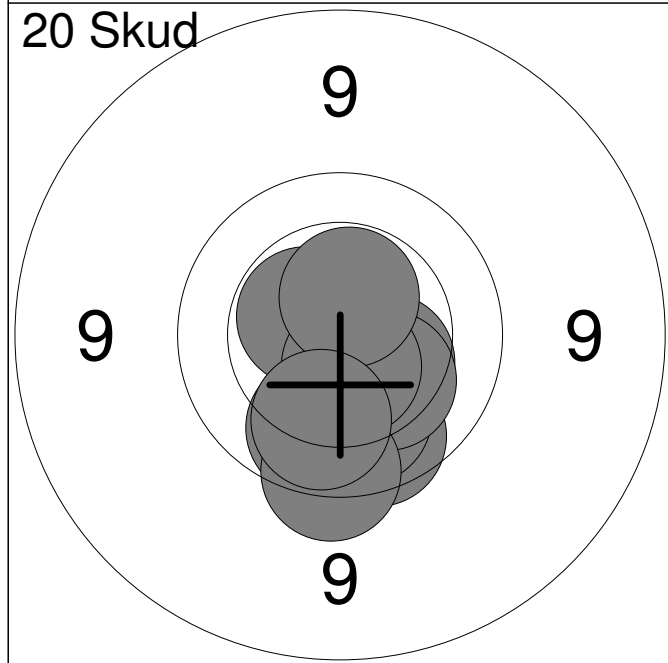
11:	10.8x	←
12:	9.7	→
13:	9.9	↑
14:	9.9	↗
15:	10.3	↗
16:	10.2	↗
17:	10.0	↑
18:	10.2	↑
19:	9.9	↗
20:	9.3	←
Serie		95.0
Total		189.0



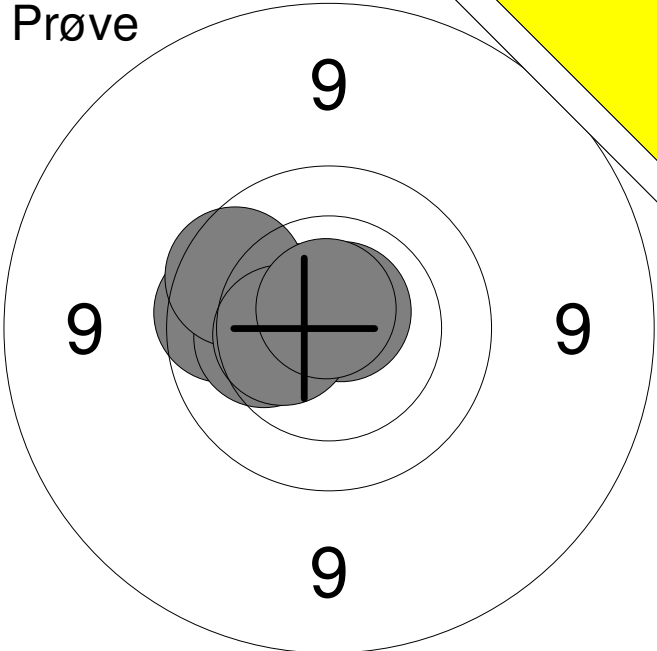
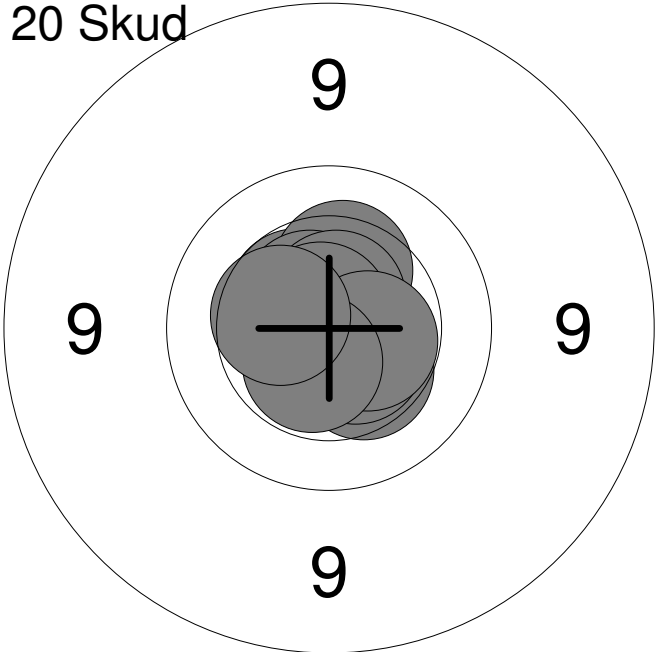
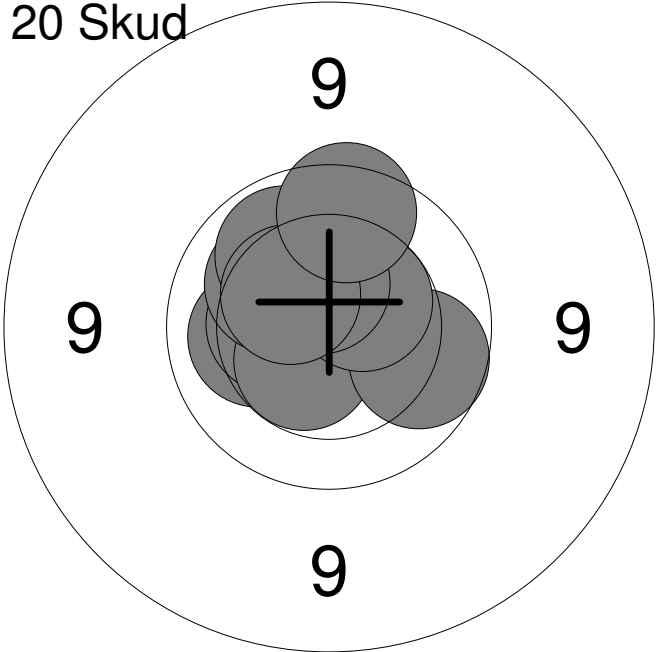
1:	9.4	←
2:	10.2	↙
3:	9.8	↘
4:	10.0	←
5:	9.9	←
6:	9.6	↘
7:	10.1	↘
8:	10.2	↗
Serie		76.0
Total		0.0

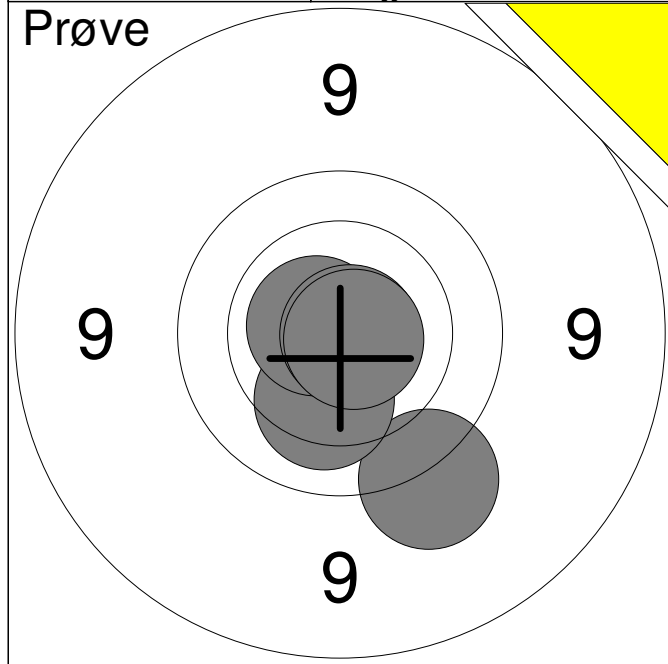


1:	9.9	↘
2:	9.8	↘
3:	10.0	↙
4:	10.3	↘
5:	10.5	→
6:	9.7	←
7:	9.8	→
8:	9.7	↘
9:	9.7	↗
10:	10.4	↘
Serie		94.0
Total		94.0

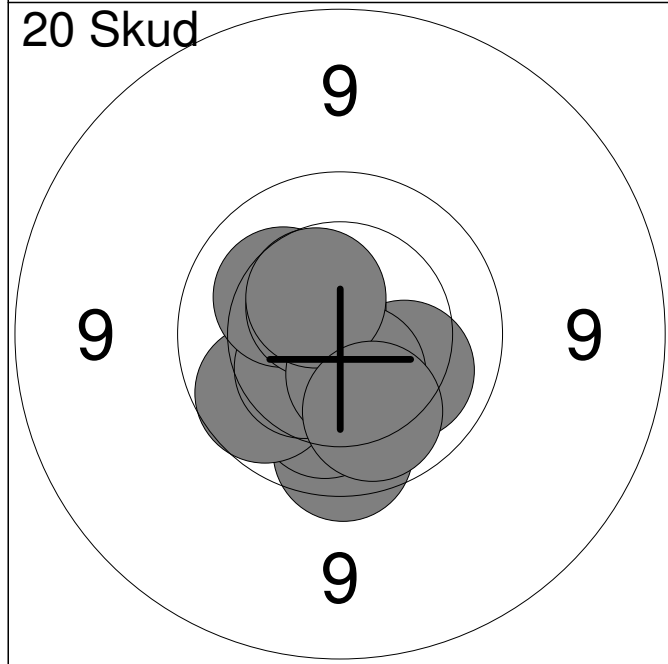


11:	9.9	↘
12:	10.5x	↗
13:	9.9	↘
14:	10.4	↘
15:	10.0	↘
16:	10.3	↘
17:	10.6x	↘
18:	9.7	↘
19:	10.5x	↗
20:	10.0	↘
Serie		97.0
Total		191.0

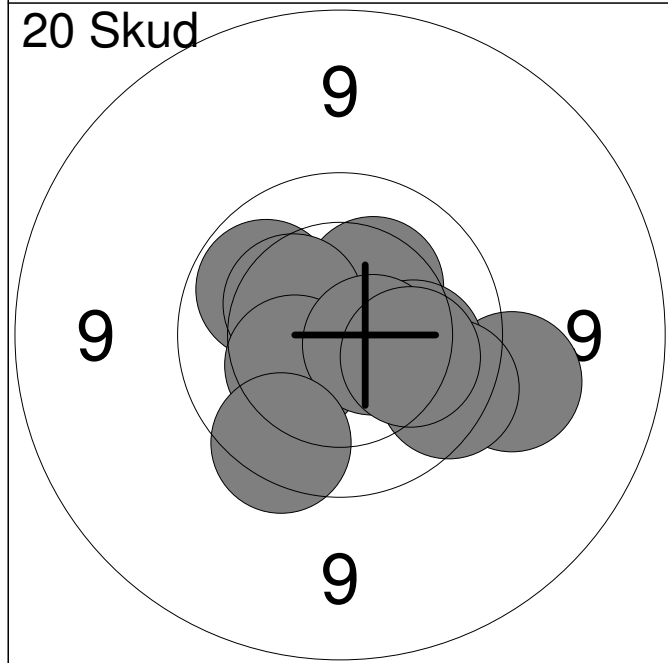
Hold 25	Skive 10	Lisa Andersen	
15m	Frederikshavn Skyttekreds	J2	
30.01.2015	Nordjysk mesterskab 2015	Aalborg Skyttekreds	
Prøve		1: 9.9 ←	
		2: 10.7x ↗	
		3: 10.2 ←	
		4: 10.5 ↗	
		5: 9.9 ↗	
		6: 10.5 ←	
		7: 10.7x ↑	
	Serie	68.0	
	Total	0.0	
20 Skud		1: 10.4 ↘	
		2: 10.5 ↗	
		3: 10.3 ↗	
		4: 10.6x ↗	
		5: 10.6x ↗	
		6: 10.6x ↘	
		7: 10.8x ↗	
		8: 10.5x →	
		9: 10.5x ↘	
		10: 10.4 ←	
	Serie	100.0	
	Total	100.0	
20 Skud		11: 10.2 ←	
		12: 10.4 ←	
		13: 10.5x ↘	
		14: 10.2 ↗	
		15: 10.0 ↗	
		16: 9.9 ↘	
		17: 10.5x ↗	
		18: 10.5 ↑	
		19: 10.4 ↗	
		20: 9.8 ↑	
	Serie	98.0	
	Total	198.0	



1:	9.5	↘
2:	10.2	↘
3:	10.7x	↗
4:	10.8x	→
5:	10.8x	↘
Serie		49.0
Total		0.0



1:	9.8	↓
2:	10.1	↓
3:	9.9	↙
4:	10.4	↙
5:	10.2	↗
6:	10.1	↘
7:	10.6x	↗
8:	10.5	↘
9:	10.5	↗
10:	10.0	↓
Serie		98.0
Total		98.0

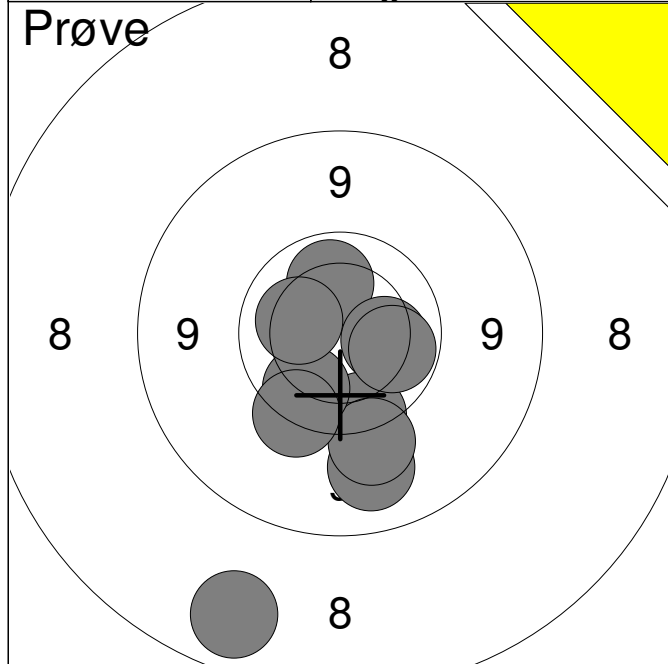


11:	10.0	↗
12:	10.3	↗
13:	9.4	↘
14:	10.3	↗
15:	10.4	↙
16:	10.1	→
17:	9.8	↘
18:	10.6x	↘
19:	9.8	↘
20:	10.1	→
Serie		97.0
Total		195.0

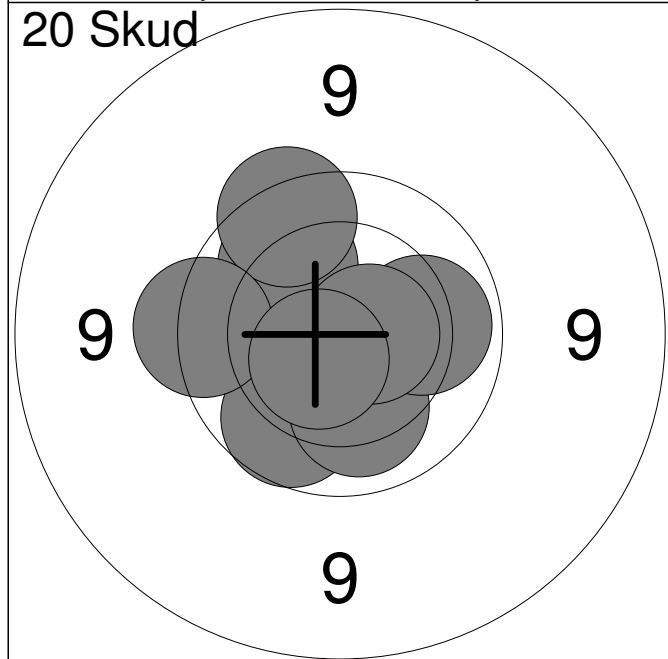
Hold 26	Skive 3	Jasmin Kristensen
-------------------	-------------------	--------------------------

15m	Mou & Omegns Skf.	BK3
-----	-------------------	-----

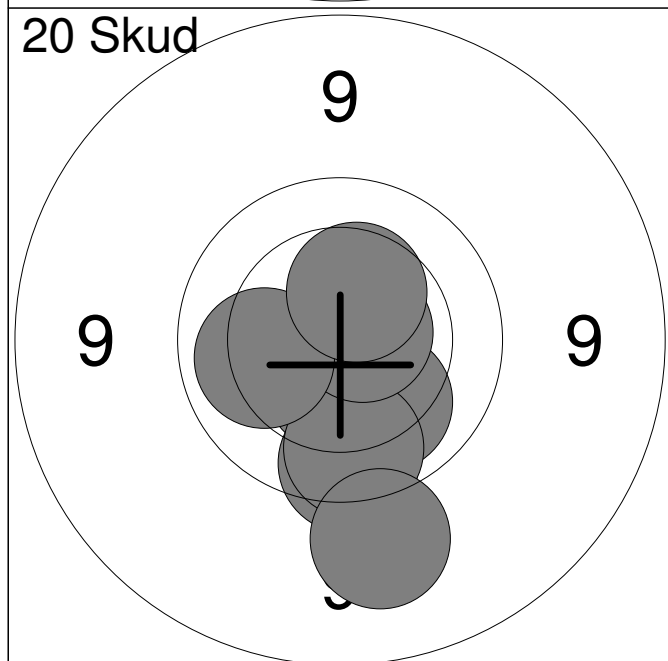
30.01.2015	Nordjysk mesterskab 2015	Aalborg Skyttekreds
------------	--------------------------	---------------------



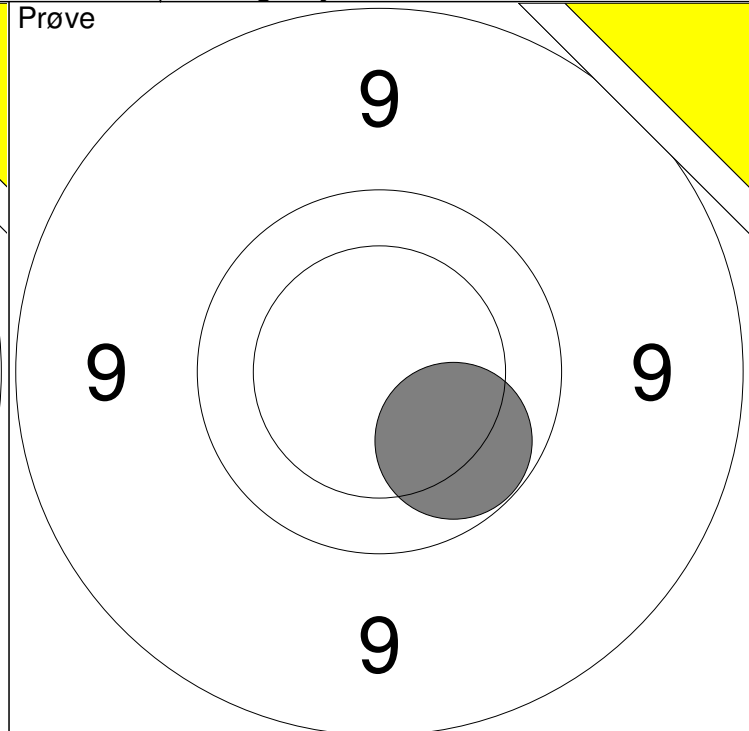
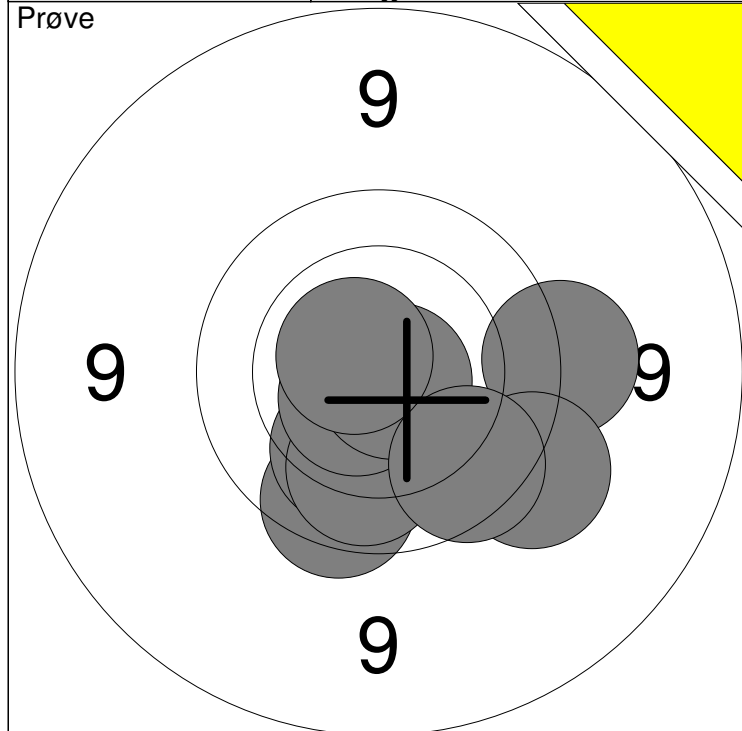
1:	8.0	↘
2:	10.1	↑
3:	9.7	↘
4:	9.2	↘
5:	9.4	↘
6:	9.9	↘
7:	9.6	↘
8:	10.2	→
9:	10.0	→
10:	10.2	↗
Serie	93.0	
Total	0.0	



1:	10.5	↘
2:	10.3	↘
3:	10.0	↗
4:	9.9	↘
5:	10.1	↘
6:	9.7	↗
7:	10.1	→
8:	10.6x	→
9:	9.7	←
10:	10.6x	↘
Serie	97.0	
Total	97.0	

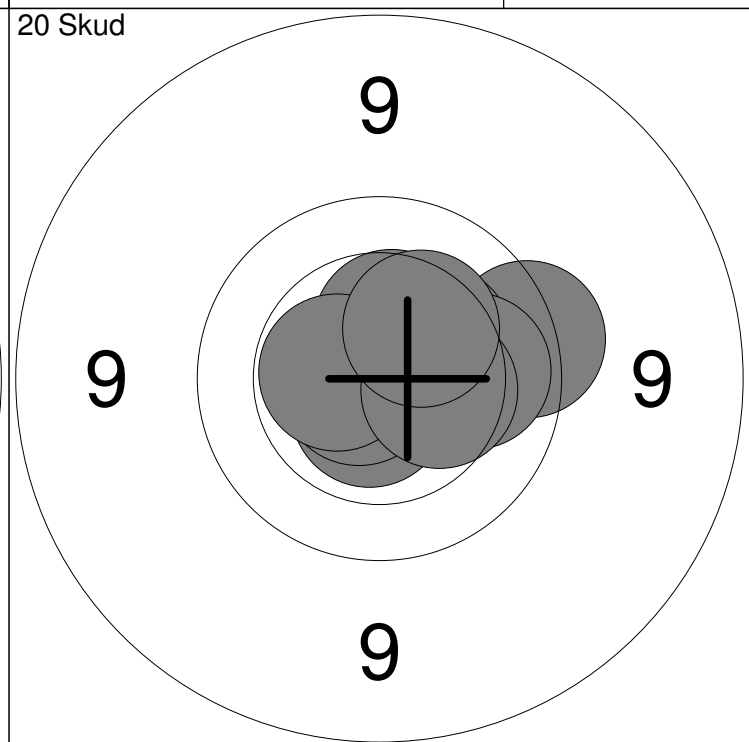
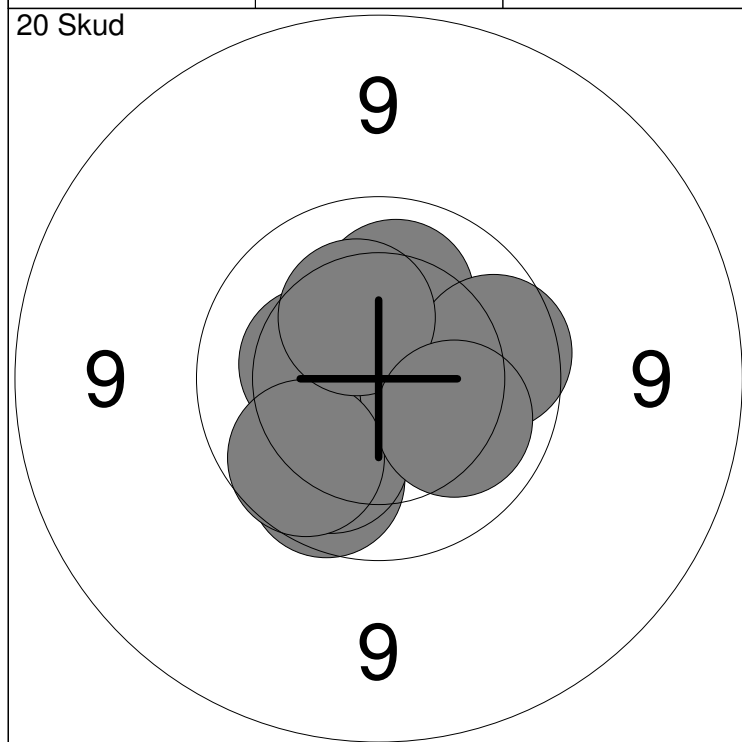


11:	10.6x	↗
12:	10.5x	↘
13:	9.8	↘
14:	10.8x	↘
15:	10.1	↘
16:	9.8	↘
17:	9.3	↘
18:	10.7x	→
19:	10.1	←
20:	10.4	↗
Serie	97.0	
Total	194.0	



1: 9.8 ↘	7: 10.6x ↙	Serie	86
3: 9.5 →	8: 10.8x ↘		
4: 10.2 ↘	9: 9.8 ↘	Total	0
5: 10.0 ↘	10: 10.7x ↗		
6: 9.5 ↘			

11: 10.0 ↘	Serie	10
	Total	0



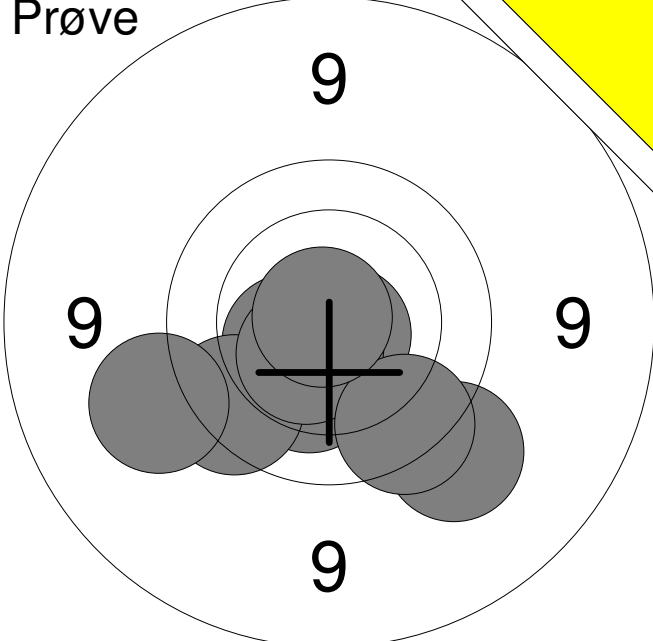
1: 9.9 ↘	6: 10.4 →	Serie	97
2: 10.1 ↘	7: 9.9 ↘		
3: 10.8x ↙	8: 9.9 →	Total	97
4: 10.2 ↑	9: 10.3 ↑		
5: 10.3 ←	10: 10.1 ↘		

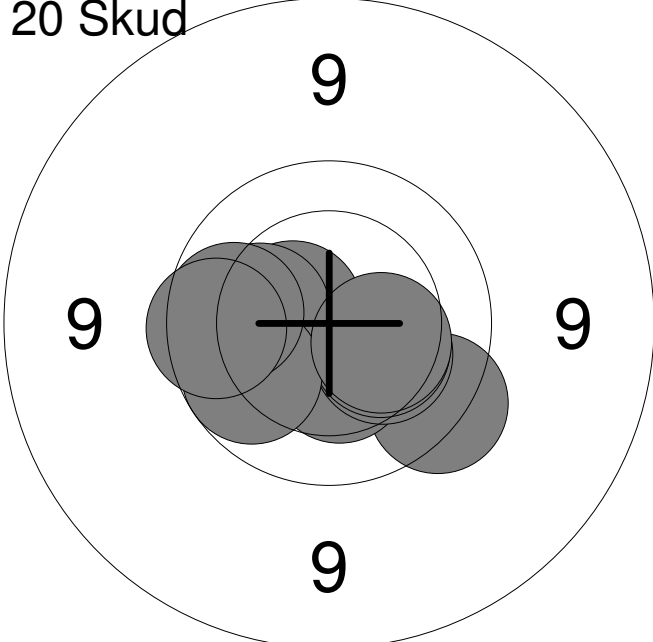
11: 10.4 ↑	16: 10.3 ↗	Serie	99
12: 10.6x ↘	17: 10.5x ←		
13: 10.4 ↗	18: 10.0 →	Total	196
14: 10.7x ←	19: 10.4 →		
15: 9.7 →	20: 10.3 ↗		

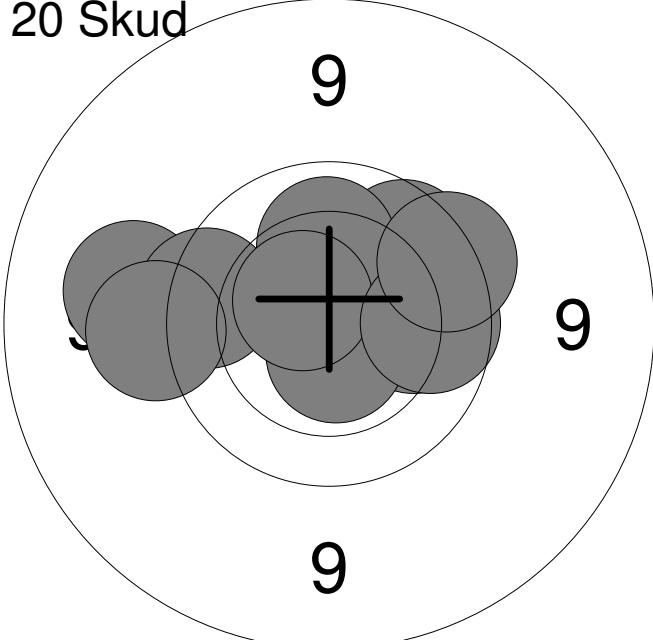
Hold 26	Skive 5	Mathias Meulengracht	
-------------------	-------------------	-----------------------------	--

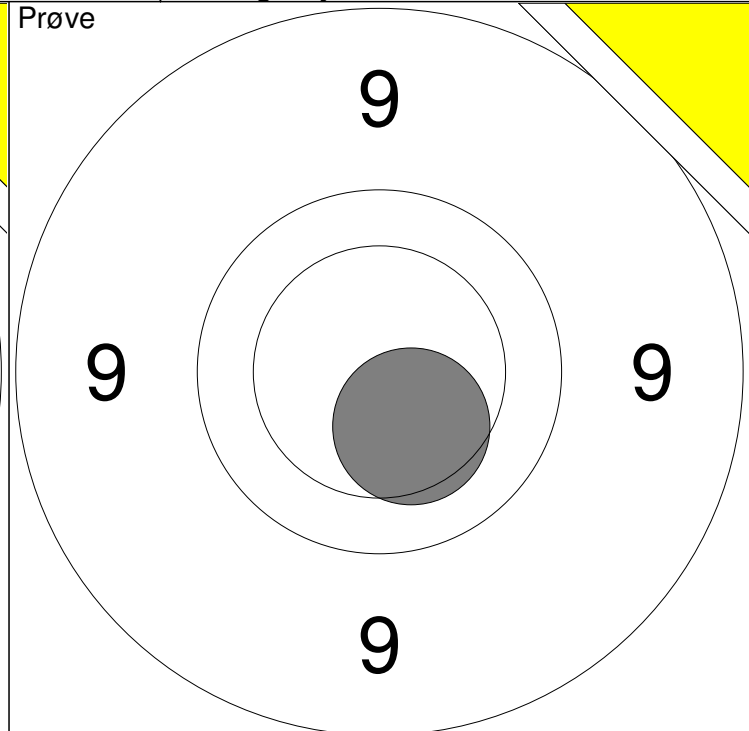
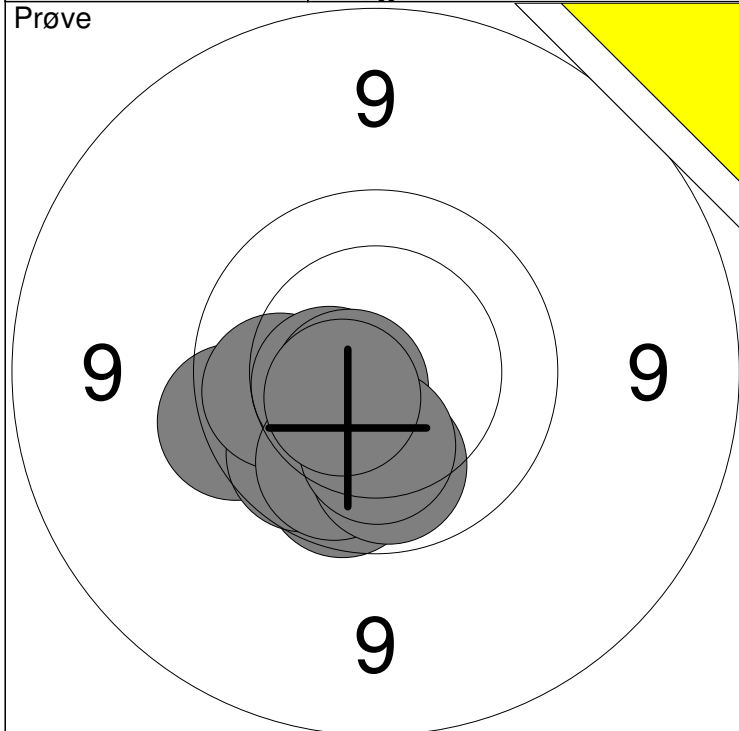
15m	Mou & Omegns Skf.	J2	
-----	-------------------	----	--

30.01.2015	Nordjysk mesterskab 2015	Aalborg Skyttekreds	
------------	--------------------------	---------------------	--

Prøve 	1:	10.5	↙
	2:	10.3	↓
	3:	9.7	↙
	4:	9.4	↓
	5:	10.8x	↓
	6:	10.6x	↙
	7:	9.4	↙
	8:	10.5x	↙
	9:	9.7	↓
	10:	10.9x	↗
	Serie		
Total			0.0

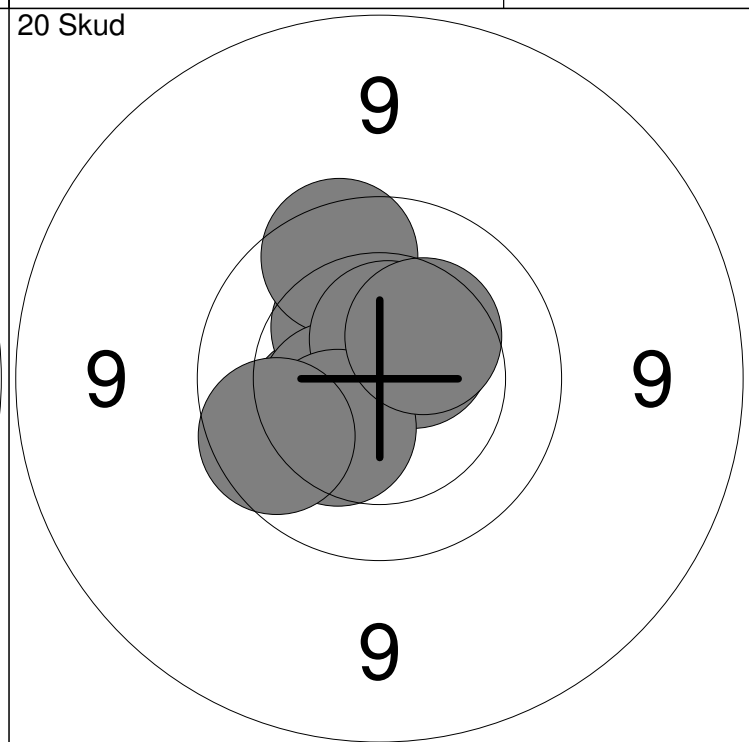
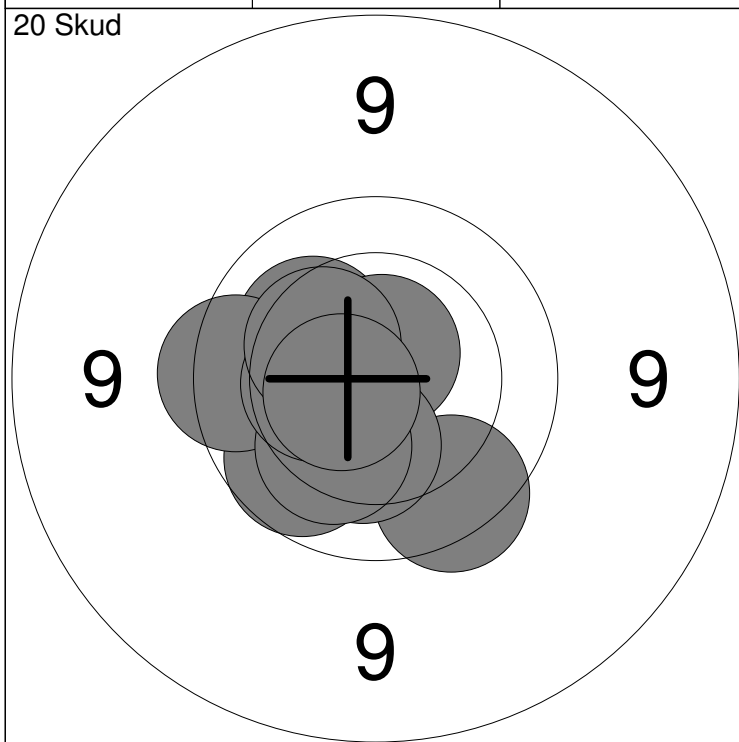
20 Skud 	1:	9.7	↘
	2:	10.4	↓
	3:	10.3	↓
	4:	10.5x	↗
	5:	10.2	↖
	6:	10.3	↘
	7:	10.0	↙
	8:	9.9	↖
	9:	10.3	↘
	10:	9.8	↖
	Serie		
Total			97.0

20 Skud 	11:	10.0	→
	12:	9.3	↖
	13:	9.7	↖
	14:	10.6x	↓
	15:	9.9	↗
	16:	10.1	↑
	17:	10.6x	↗
	18:	9.9	→
	19:	9.7	↗
	20:	9.5	↖
	Serie		
Total			191.0



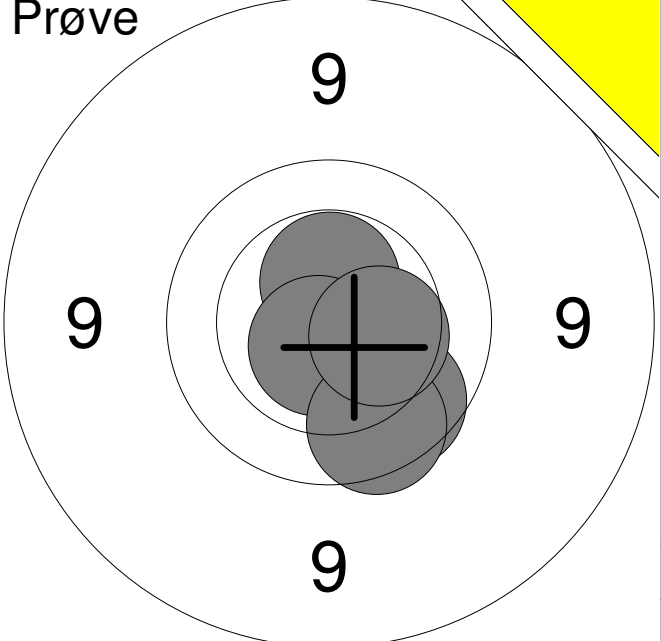
1: 9.9 ↓	6: 10.0 ↓	Serie	97
2: 9.7 ←	7: 10.0 ↓		
3: 9.9 ↙	8: 10.7x ←	Total	0
4: 10.0 ←	9: 10.2 ↓		
5: 10.5 ←	10: 10.5x ←		

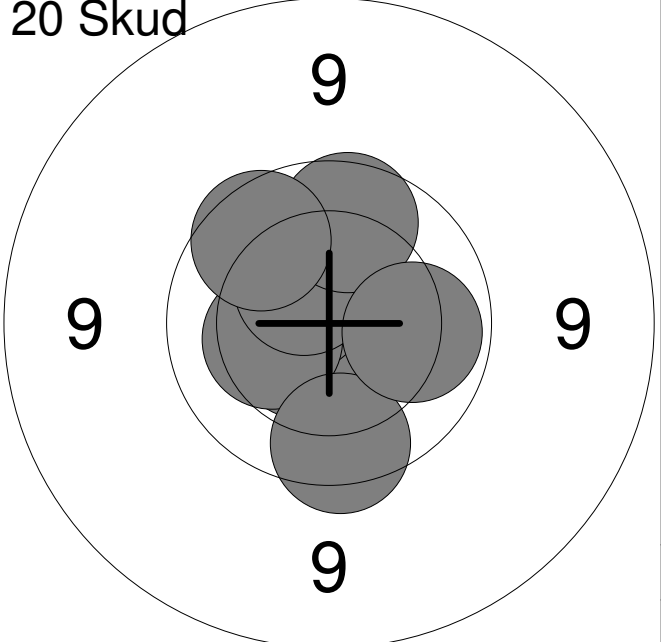
11: 10.3 ↓	Serie	10
	Total	0

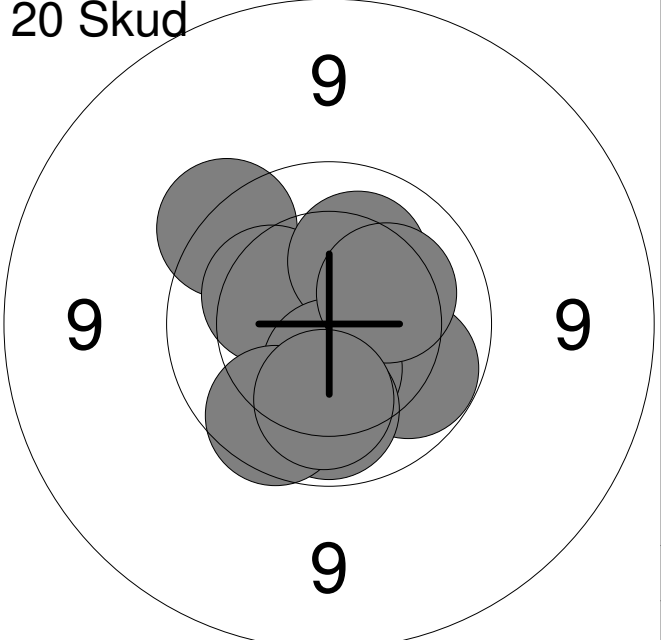


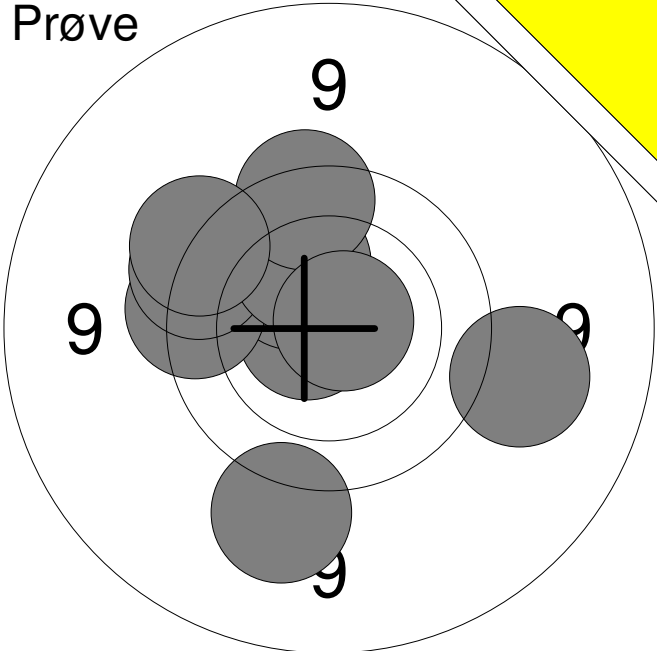
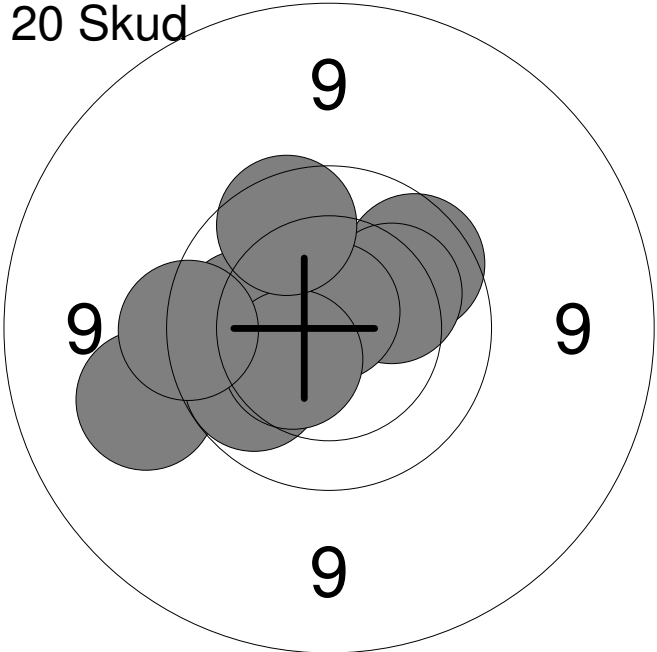
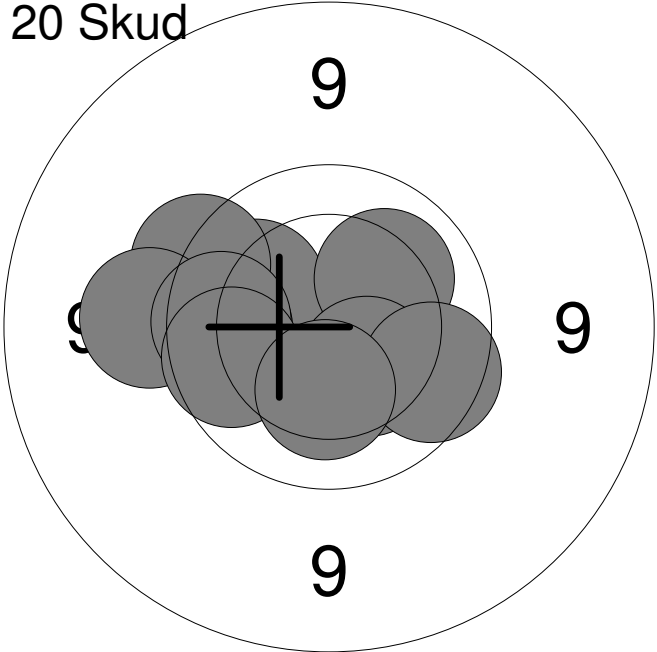
1: 9.9 ↙	6: 10.3 ↓	Serie	97
2: 10.2 ↖	7: 10.2 ↓		
3: 10.7x ↑	8: 10.4 ←	Total	97
4: 9.7 ←	9: 10.3 ↖		
5: 9.8 ↓	10: 10.6x ←		

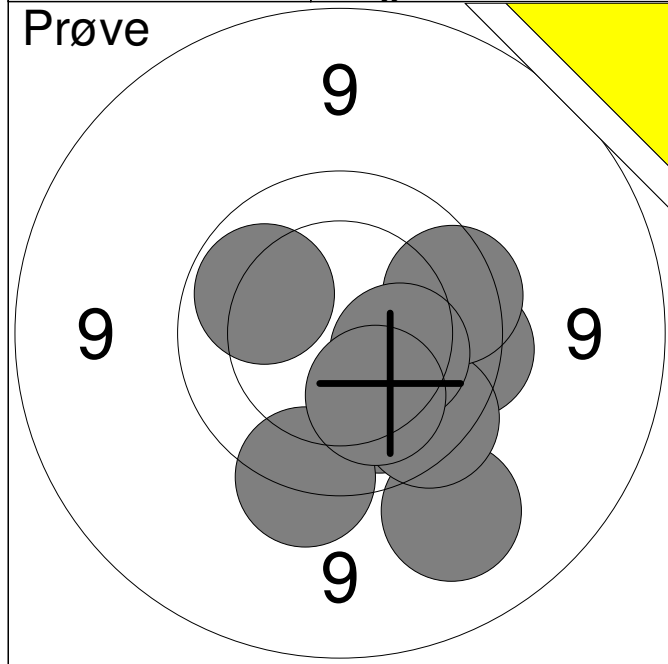
11: 10.3 ←	16: 10.5x ←	Serie	98
12: 10.5x ←	17: 10.6x ↑		
13: 10.5x ↗	18: 10.3 ↓	Total	195
14: 10.4 ↖	19: 9.9 ←		
15: 9.8 ↗	20: 10.4 ↗		

<p>Prøve</p> 	<table style="width:100%; border-collapse: collapse;"> <tr><td style="width:10%;">1:</td><td style="width:80%;">10.5x</td><td style="width:10%; text-align: right;">↑</td></tr> <tr><td>2:</td><td>10.7x</td><td style="text-align: right;">↓</td></tr> <tr><td>3:</td><td>9.9</td><td style="text-align: right;">↓</td></tr> <tr><td>4:</td><td>9.8</td><td style="text-align: right;">↓</td></tr> <tr><td>5:</td><td>10.4</td><td style="text-align: right;">→</td></tr> </table>	1:	10.5x	↑	2:	10.7x	↓	3:	9.9	↓	4:	9.8	↓	5:	10.4	→
1:	10.5x	↑														
2:	10.7x	↓														
3:	9.9	↓														
4:	9.8	↓														
5:	10.4	→														
<table style="width:100%; border-collapse: collapse;"> <tr> <td style="width:80%;">Serie</td> <td style="text-align: right;">48.0</td> </tr> <tr> <td>Total</td> <td style="text-align: right;">0.0</td> </tr> </table>		Serie	48.0	Total	0.0											
Serie	48.0															
Total	0.0															

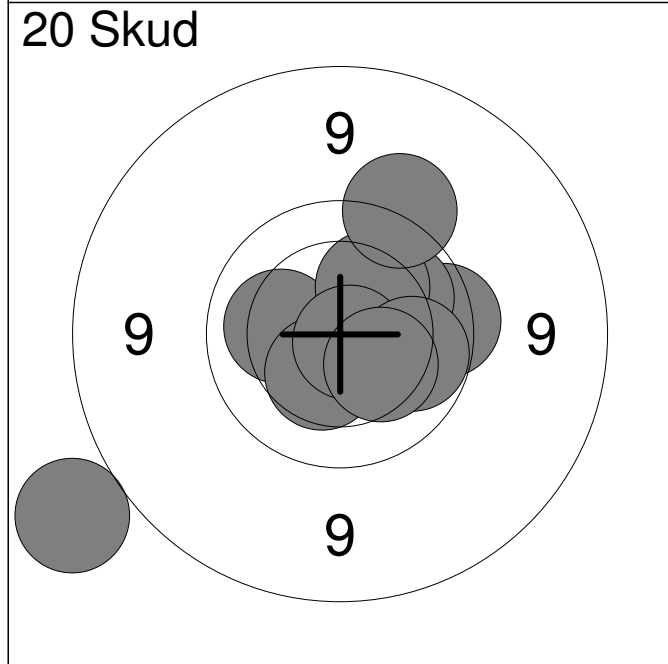
<p>20 Skud</p> 	<table style="width:100%; border-collapse: collapse;"> <tr><td style="width:10%;">1:</td><td style="width:80%;">10.6x</td><td style="width:10%; text-align: right;">↑</td></tr> <tr><td>2:</td><td>10.8x</td><td style="text-align: right;">→</td></tr> <tr><td>3:</td><td>10.6x</td><td style="text-align: right;">↓</td></tr> <tr><td>4:</td><td>10.6x</td><td style="text-align: right;">↗</td></tr> <tr><td>5:</td><td>10.3</td><td style="text-align: right;">←</td></tr> <tr><td>6:</td><td>9.8</td><td style="text-align: right;">↓</td></tr> <tr><td>7:</td><td>10.5</td><td style="text-align: right;">↗</td></tr> <tr><td>8:</td><td>9.9</td><td style="text-align: right;">↑</td></tr> <tr><td>9:</td><td>10.0</td><td style="text-align: right;">→</td></tr> <tr><td>10:</td><td>9.9</td><td style="text-align: right;">↗</td></tr> </table>	1:	10.6x	↑	2:	10.8x	→	3:	10.6x	↓	4:	10.6x	↗	5:	10.3	←	6:	9.8	↓	7:	10.5	↗	8:	9.9	↑	9:	10.0	→	10:	9.9	↗
1:	10.6x	↑																													
2:	10.8x	→																													
3:	10.6x	↓																													
4:	10.6x	↗																													
5:	10.3	←																													
6:	9.8	↓																													
7:	10.5	↗																													
8:	9.9	↑																													
9:	10.0	→																													
10:	9.9	↗																													
<table style="width:100%; border-collapse: collapse;"> <tr> <td style="width:80%;">Serie</td> <td style="text-align: right;">97.0</td> </tr> <tr> <td>Total</td> <td style="text-align: right;">97.0</td> </tr> </table>		Serie	97.0	Total	97.0																										
Serie	97.0																														
Total	97.0																														

<p>20 Skud</p> 	<table style="width:100%; border-collapse: collapse;"> <tr><td style="width:10%;">11:</td><td style="width:80%;">9.7</td><td style="width:10%; text-align: right;">↗</td></tr> <tr><td>12:</td><td>10.9x</td><td style="text-align: right;">↑</td></tr> <tr><td>13:</td><td>10.0</td><td style="text-align: right;">↓</td></tr> <tr><td>14:</td><td>10.3</td><td style="text-align: right;">↗</td></tr> <tr><td>15:</td><td>10.2</td><td style="text-align: right;">↑</td></tr> <tr><td>16:</td><td>10.5</td><td style="text-align: right;">↓</td></tr> <tr><td>17:</td><td>10.0</td><td style="text-align: right;">↓</td></tr> <tr><td>18:</td><td>9.9</td><td style="text-align: right;">↘</td></tr> <tr><td>19:</td><td>10.2</td><td style="text-align: right;">↗</td></tr> <tr><td>20:</td><td>10.1</td><td style="text-align: right;">↓</td></tr> </table>	11:	9.7	↗	12:	10.9x	↑	13:	10.0	↓	14:	10.3	↗	15:	10.2	↑	16:	10.5	↓	17:	10.0	↓	18:	9.9	↘	19:	10.2	↗	20:	10.1	↓
11:	9.7	↗																													
12:	10.9x	↑																													
13:	10.0	↓																													
14:	10.3	↗																													
15:	10.2	↑																													
16:	10.5	↓																													
17:	10.0	↓																													
18:	9.9	↘																													
19:	10.2	↗																													
20:	10.1	↓																													
<table style="width:100%; border-collapse: collapse;"> <tr> <td style="width:80%;">Serie</td> <td style="text-align: right;">98.0</td> </tr> <tr> <td>Total</td> <td style="text-align: right;">195.0</td> </tr> </table>		Serie	98.0	Total	195.0																										
Serie	98.0																														
Total	195.0																														

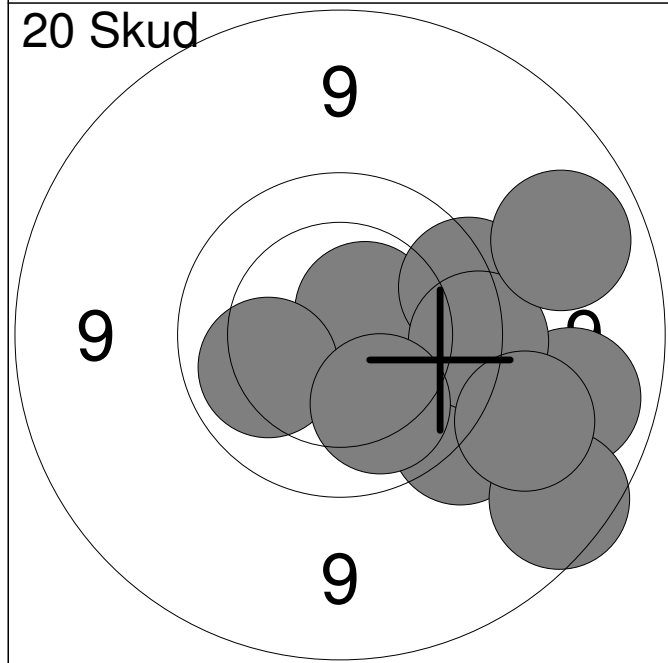
Hold 26	Skive 8	Jon Jensen	
15m	Mou & Omegns Skf.	BK3	
30.01.2015	Nordjysk mesterskab 2015	Aalborg Skyttekreds	
Prøve 	1:	9.3	↓
	2:	10.7x	←
	3:	10.3	↗
	4:	9.3	→
	5:	9.7	←
	6:	9.6	↗
	7:	10.2	↗
	8:	9.7	↑
	9:	9.6	↗
	10:	10.8x	↗
	Serie		94.0
Total		0.0	
20 Skud 	1:	9.3	←
	2:	9.9	↗
	3:	10.0	←
	4:	10.4	↖
	5:	10.2	↗
	6:	10.8x	↑
	7:	10.1	←
	8:	10.4	←
	9:	9.8	↑
	10:	9.7	←
	Serie		96.0
Total		96.0	
20 Skud 	11:	10.1	↖
	12:	9.9	←
	13:	10.2	↗
	14:	9.6	↗
	15:	9.4	←
	16:	9.9	←
	17:	10.4	↓
	18:	9.9	←
	19:	9.8	↘
	20:	10.3	↓
	Serie		94.0
Total		190.0	



1:	10.1	↘
2:	9.2	↘
3:	9.6	↘
4:	10.0	↗
5:	9.8	→
6:	9.8	↘
7:	9.8	→
8:	10.3	→
9:	10.2	↘
Serie		85.0
Total		0.0



1:	9.7	→
2:	10.2	←
3:	10.1	↗
4:	10.2	↗
5:	10.4	↘
6:	10.8x	↘
7:	8.4	←
8:	10.0	→
9:	9.5	↗
10:	10.3	↘
Serie		96.0
Total		96.0

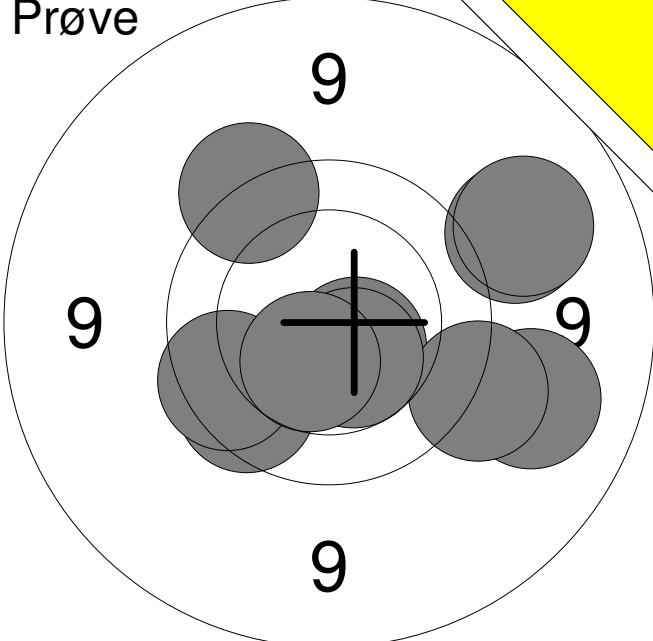


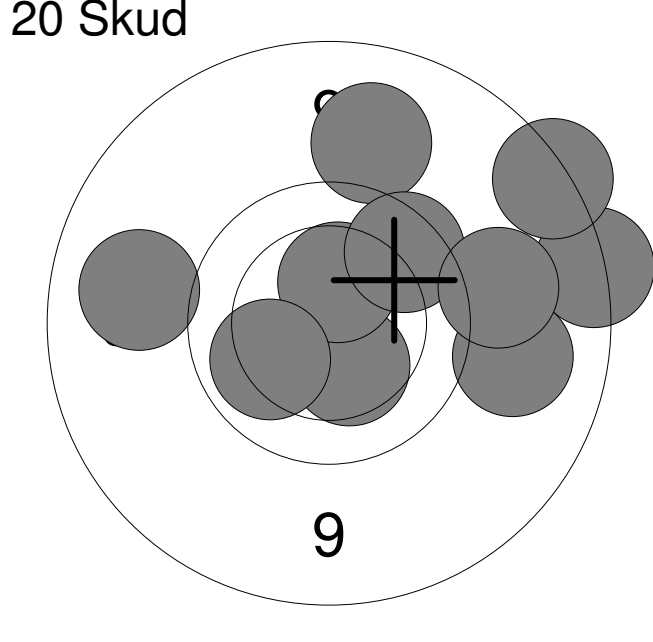
11:	9.0	→
12:	10.6x	↗
13:	9.6	↘
14:	9.7	→
15:	8.9	↘
16:	10.1	←
17:	9.7	→
18:	9.0	→
19:	10.1	↘
20:	9.3	↘
Serie		92.0
Total		188.0

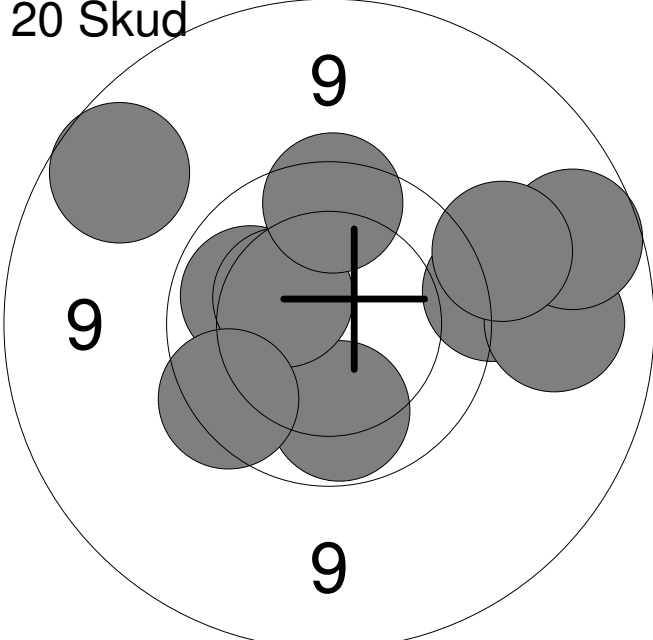
Hold 26	Skive 10	Anders Førby Lassen	
-------------------	--------------------	----------------------------	--

15m	St. Restrup Skf.	BK4
-----	------------------	-----

30.01.2015	Nordjysk mesterskab 2015	Aalborg Skyttekreds
------------	--------------------------	---------------------

Prøve 	1: 9.8 ↙
	2: 10.6x ↘
	3: 9.3 →
	4: 9.2 ↘
	5: 9.5 ↘
	6: 10.5 ↘
	7: 9.8 ↙
	8: 9.6 ↗
	9: 10.5 ↘
	10: 9.2 →
	Serie
Total	0.0

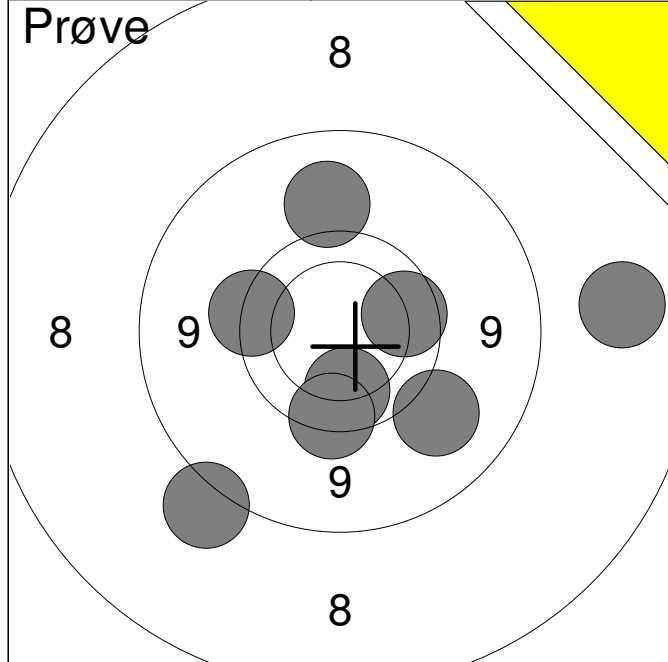
20 Skud 	1: 9.2 →
	2: 8.7 →
	3: 8.7 →
	4: 10.4 ↘
	5: 9.2 ←
	6: 10.4 ↑
	7: 10.1 ↙
	8: 9.2 ↑
	9: 9.8 ↗
	10: 9.3 →
	Serie
Total	91.0

20 Skud 	11: 8.9 ↖
	12: 10.0 ↖
	13: 10.0 ↘
	14: 9.5 →
	15: 9.1 →
	16: 10.4 ↖
	17: 9.8 ↑
	18: 8.9 →
	19: 9.4 →
	20: 9.7 ↙
	Serie
Total	182.0

Hold 26	Skive 11	Nicolaj Førby Lassen	
-------------------	--------------------	-----------------------------	--

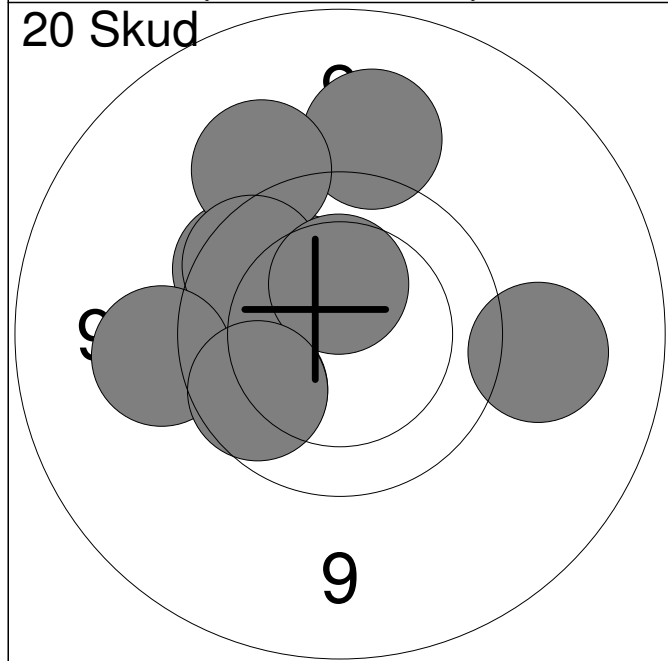
15m	St. Restrup Skf.	MB4
-----	------------------	-----

30.01.2015	Nordjysk mesterskab 2015	Aalborg Skyttekreds
------------	--------------------------	---------------------



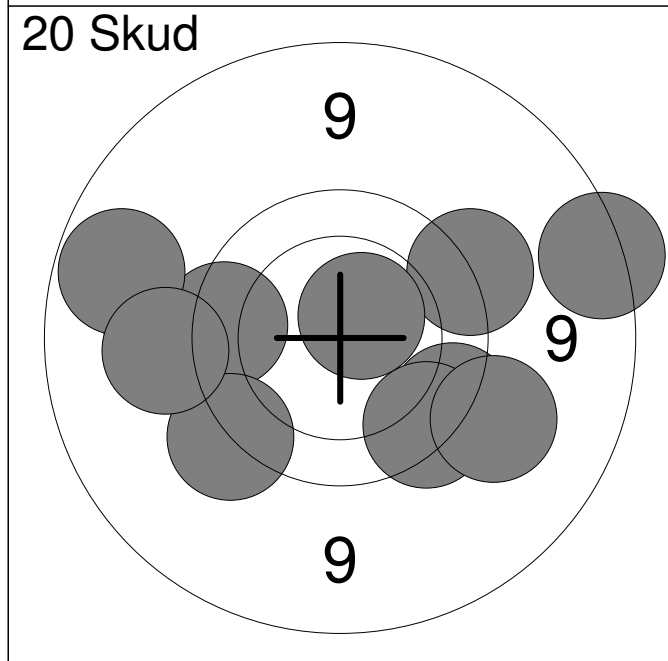
1:	9.3	↘
2:	9.9	↓
3:	8.6	↙
4:	8.1	→
5:	9.9	→
6:	9.6	←
7:	9.7	↓
8:	9.3	↑

Serie	70.0
Total	0.0



1:	9.3	↑
2:	9.3	→
3:	9.8	↗
4:	10.2	↗
5:	9.9	↖
6:	9.4	↗
7:	9.8	↗
8:	9.4	←
9:	10.4	↑
10:	9.9	↙

Serie	92.0
Total	92.0



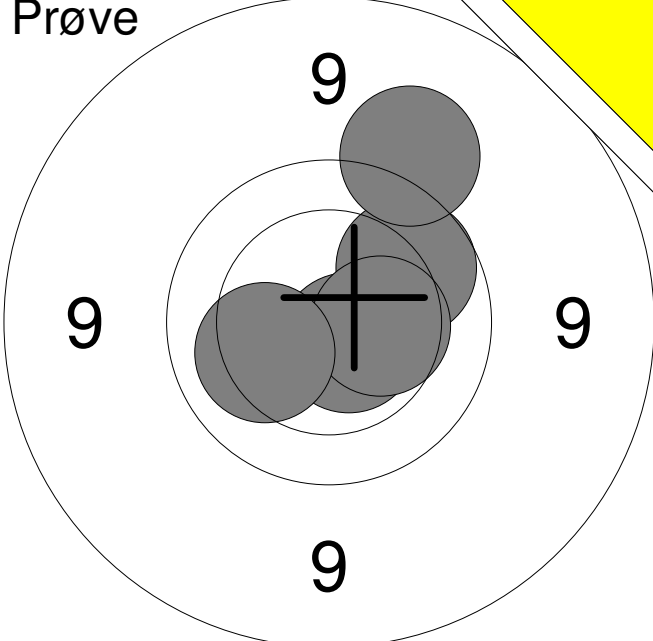
11:	9.6	↘
12:	9.7	←
13:	9.5	↗
14:	8.8	→
15:	9.7	↘
16:	10.6x	↗
17:	9.0	←
18:	9.3	↘
19:	9.5	↙
20:	9.3	←

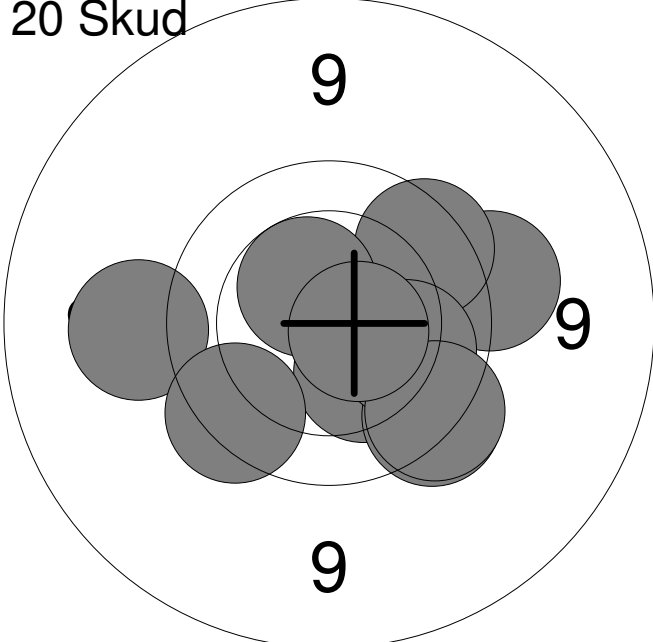
Serie	90.0
Total	182.0

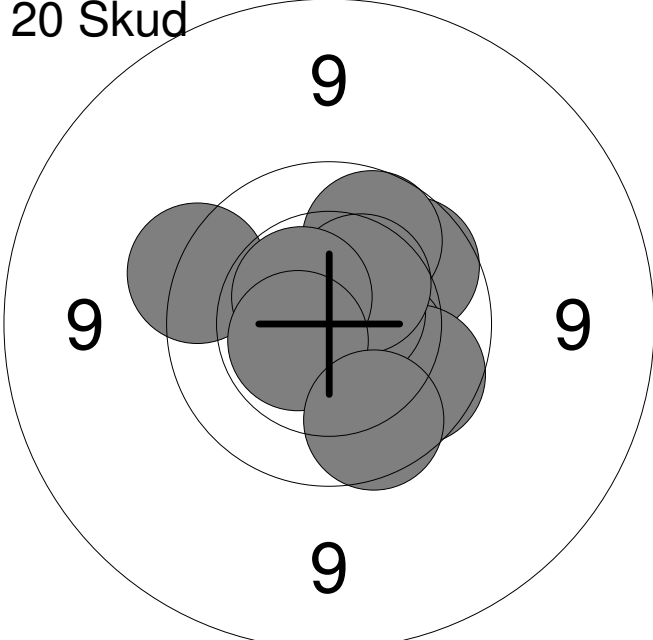
Hold 26	Skive 12	Marcus Kjær Schmidt	
-------------------	--------------------	----------------------------	--

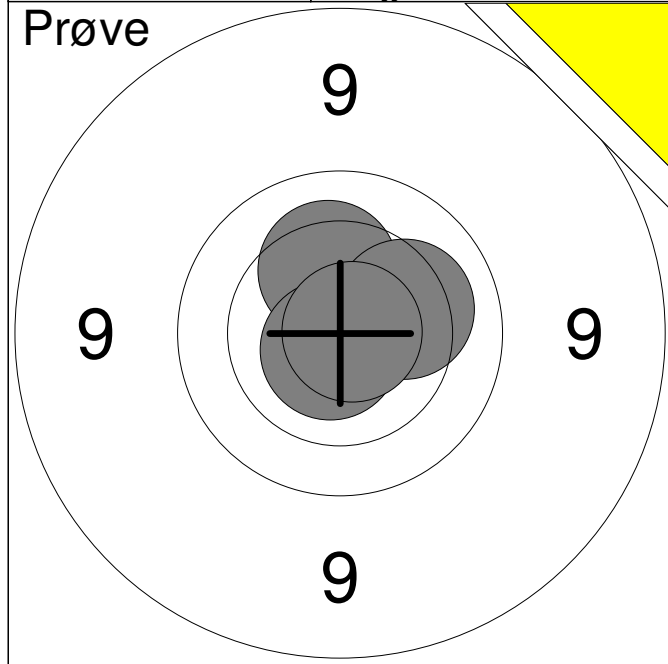
15m	St. Restrup Skf.	MB4
-----	------------------	-----

30.01.2015	Nordjysk mesterskab 2015	Aalborg Skyttekreds
------------	--------------------------	---------------------

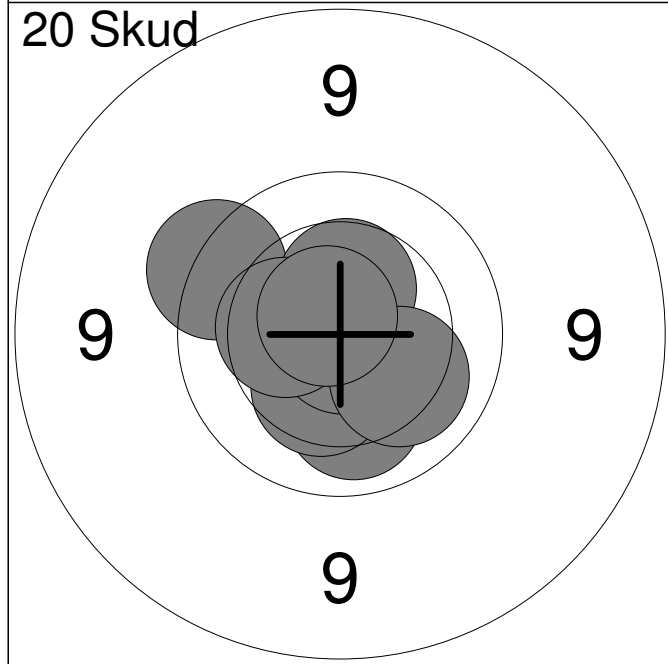
Prøve 	1: 10.6x ↘
	2: 9.9 ↗
	3: 10.4 →
	4: 10.2 ↙
	5: 9.4 ↗
Serie	48.0
Total	0.0

20 Skud 	1: 9.3 ←
	2: 9.5 →
	3: 10.3 ↘
	4: 9.8 ↗
	5: 10.5x ↗
	6: 9.7 ↘
	7: 9.7 ↙
	8: 10.1 →
	9: 9.7 ↘
	10: 10.6x →
Serie	94.0
Total	94.0

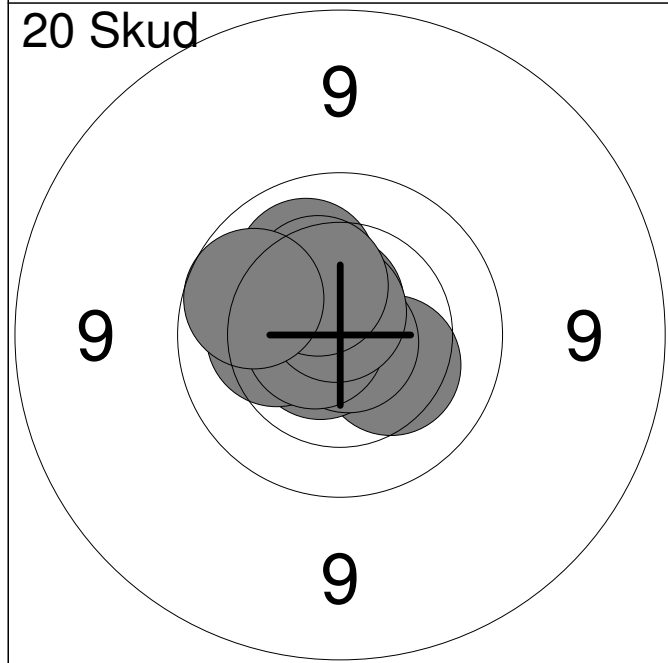
20 Skud 	11: 9.9 ↗
	12: 10.4 →
	13: 9.9 ↗
	14: 9.9 ↘
	15: 10.6x ↗
	16: 10.4 ↗
	17: 9.7 ↙
	18: 10.5x ↗
	19: 10.6x ↙
	20: 9.9 ↘
Serie	95.0
Total	189.0



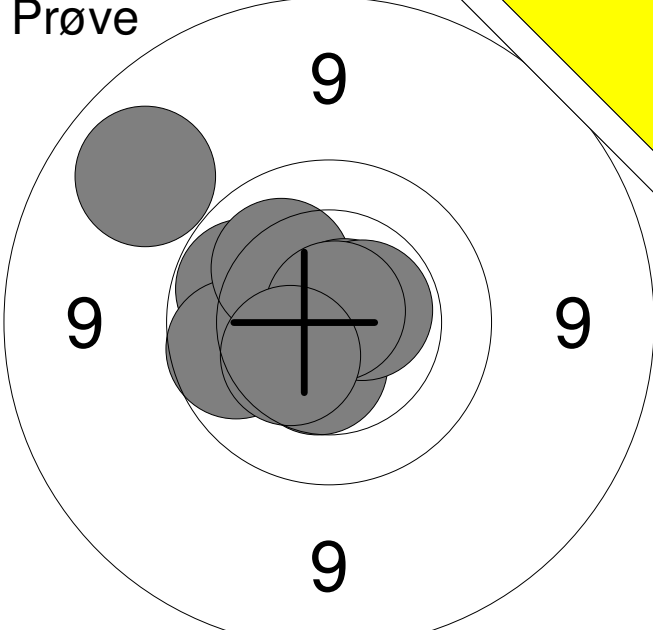
1:	10.3	↑
2:	10.2	→
3:	10.7x	↓
4:	10.8x	→
Serie		40.0
Total		0.0

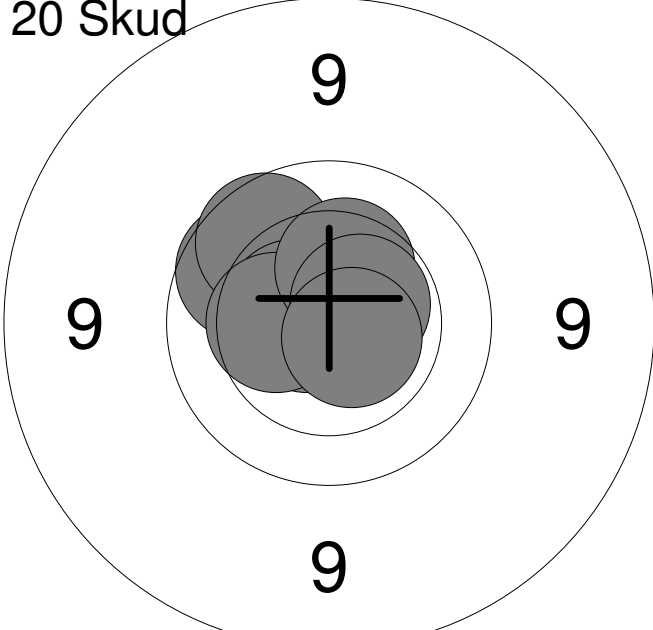


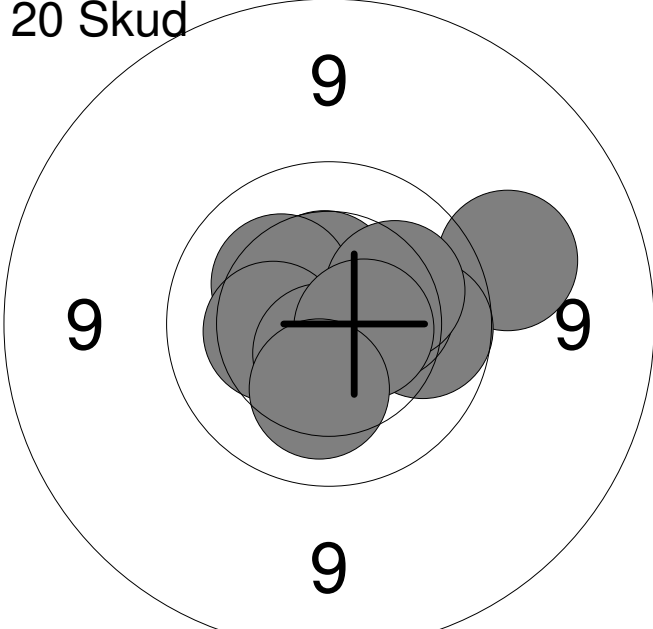
1:	10.8x	↑
2:	10.1	↓
3:	9.7	↗
4:	10.6x	↓
5:	10.4	↓
6:	10.8x	↓
7:	10.5	↑
8:	10.2	↓
9:	10.4	←
10:	10.7x	↗
Serie		99.0
Total		99.0

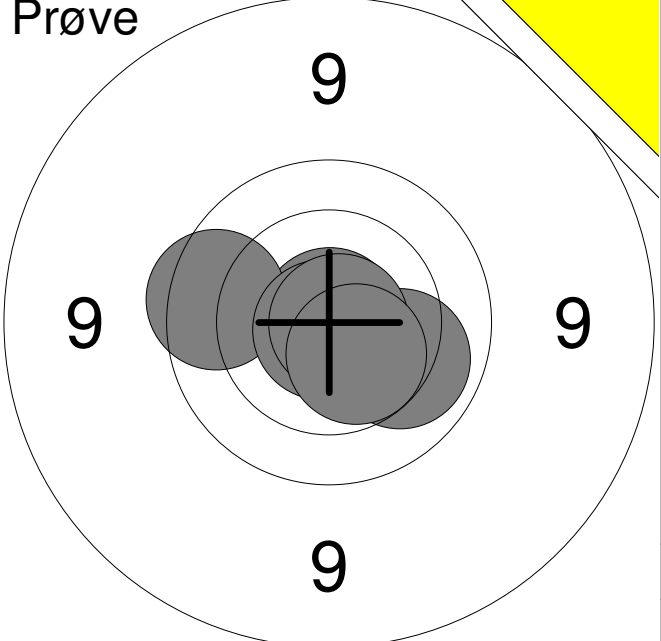


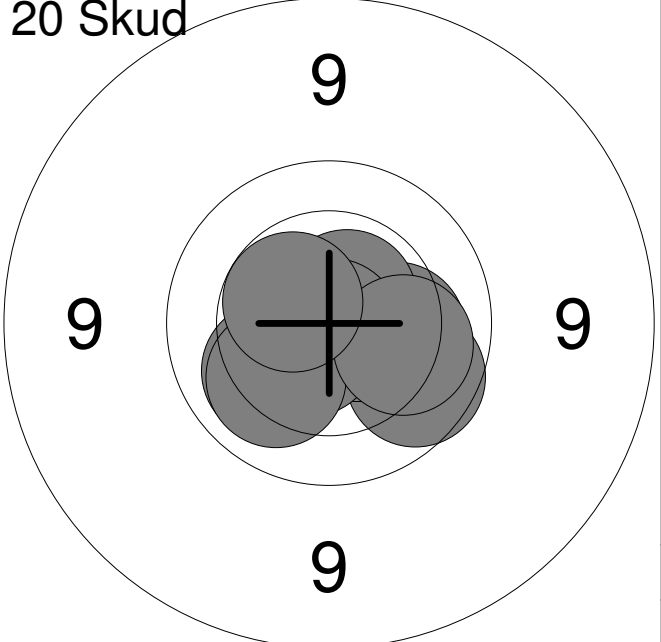
11:	10.6x	↑
12:	10.3	↓
13:	10.7x	↙
14:	10.8x	↓
15:	10.3	←
16:	10.7x	←
17:	10.7x	↑
18:	10.1	↗
19:	10.4	↗
20:	9.9	↖
Serie		99.0
Total		198.0

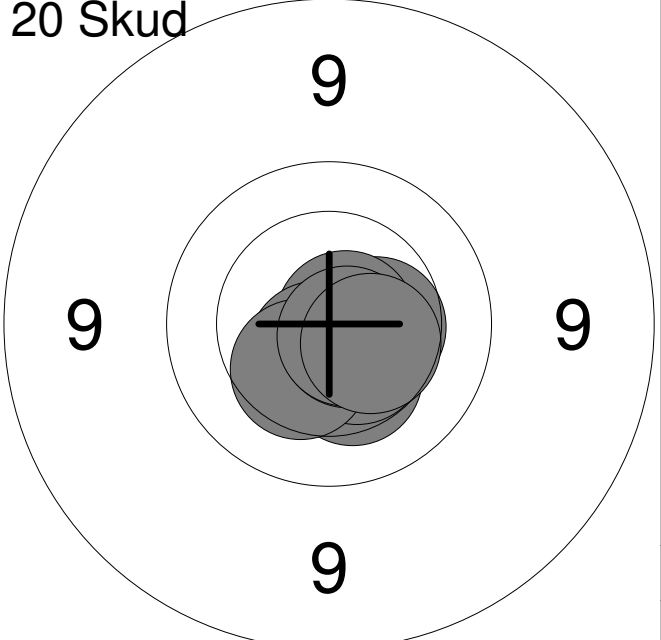
Prøve 	1:	9.1	↗
	2:	10.0	↖
	3:	9.9	↙
	4:	10.2	↗
	5:	10.7x	↗
	6:	10.5	↘
	7:	10.6x	→
	8:	10.8x	↗
	9:	10.4	↘
	Serie		88.0
Total		0.0	

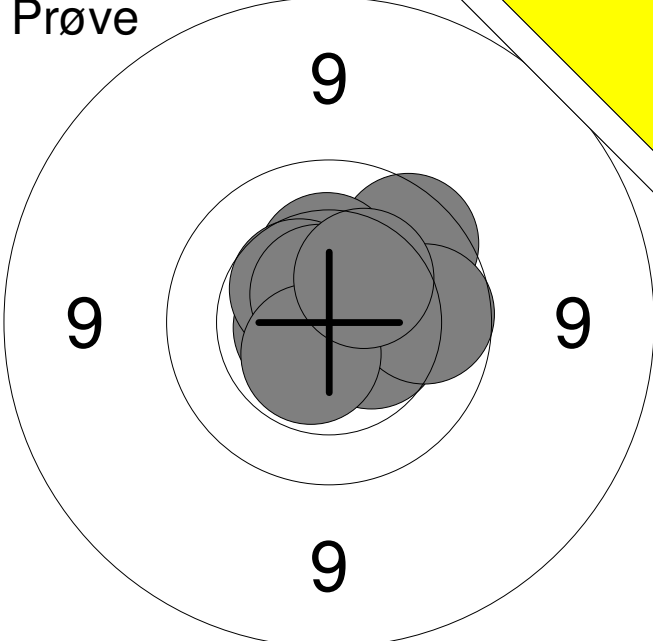
20 Skud 	1:	10.7x	←
	2:	10.9x	↗
	3:	9.9	↖
	4:	10.5	↑
	5:	9.9	↗
	6:	10.6x	↖
	7:	10.4	←
	8:	10.3	↑
	9:	10.6x	↗
	10:	10.7x	↘
Serie		98.0	
Total		98.0	

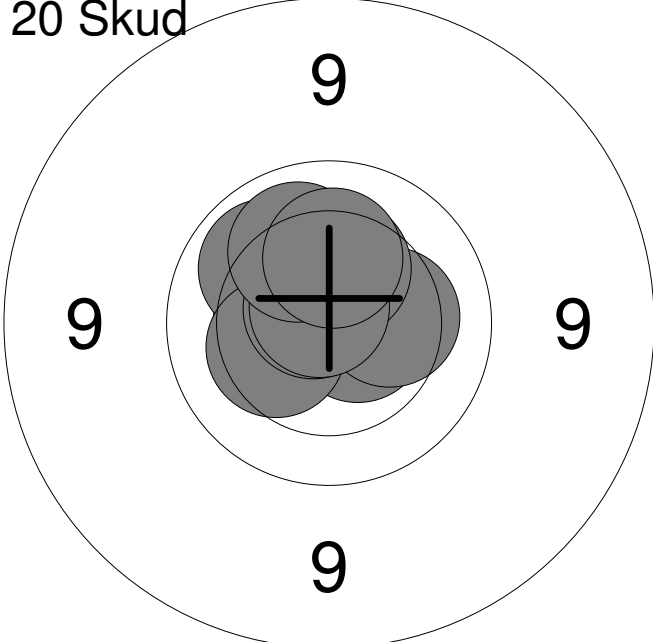
20 Skud 	11:	9.4	→
	12:	9.9	→
	13:	10.5	↑
	14:	10.3	→
	15:	10.3	↖
	16:	10.2	↗
	17:	10.3	←
	18:	10.6x	↘
	19:	10.6x	→
	20:	10.2	↘
Serie		98.0	
Total		196.0	

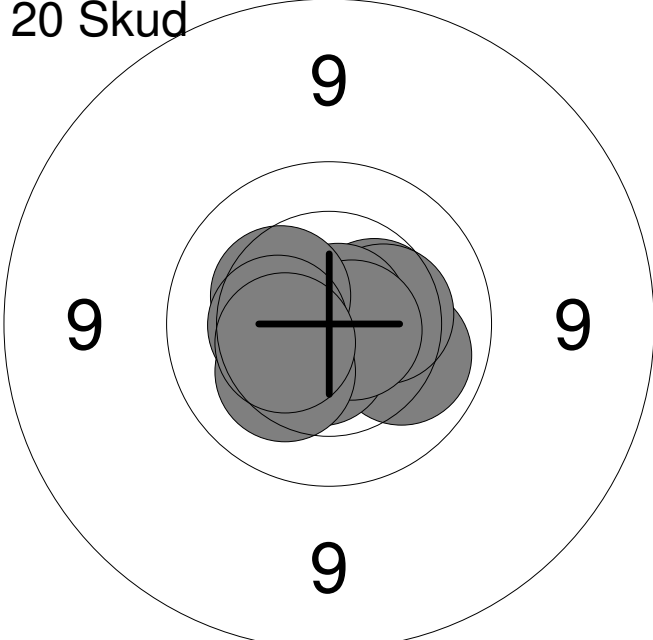
<p>Prøve</p> 	<table style="width:100%; border-collapse: collapse;"> <tr><td style="width:10%;">1:</td><td style="width:15%;">10.1</td><td style="width:10%; text-align: right;">↘</td></tr> <tr><td>2:</td><td>10.9x</td><td style="text-align: right;">↑</td></tr> <tr><td>3:</td><td>9.8</td><td style="text-align: right;">←</td></tr> <tr><td>4:</td><td>10.8x</td><td style="text-align: right;">↙</td></tr> <tr><td>5:</td><td>10.8x</td><td style="text-align: right;">→</td></tr> <tr><td>6:</td><td>10.5x</td><td style="text-align: right;">↘</td></tr> </table>	1:	10.1	↘	2:	10.9x	↑	3:	9.8	←	4:	10.8x	↙	5:	10.8x	→	6:	10.5x	↘
1:	10.1	↘																	
2:	10.9x	↑																	
3:	9.8	←																	
4:	10.8x	↙																	
5:	10.8x	→																	
6:	10.5x	↘																	
<table style="width:100%; border-collapse: collapse;"> <tr> <td style="width:10%;">Serie</td> <td style="width:80%;"></td> <td style="width:10%; text-align: right;">59.0</td> </tr> <tr> <td>Total</td> <td></td> <td style="text-align: right;">0.0</td> </tr> </table>		Serie		59.0	Total		0.0												
Serie		59.0																	
Total		0.0																	

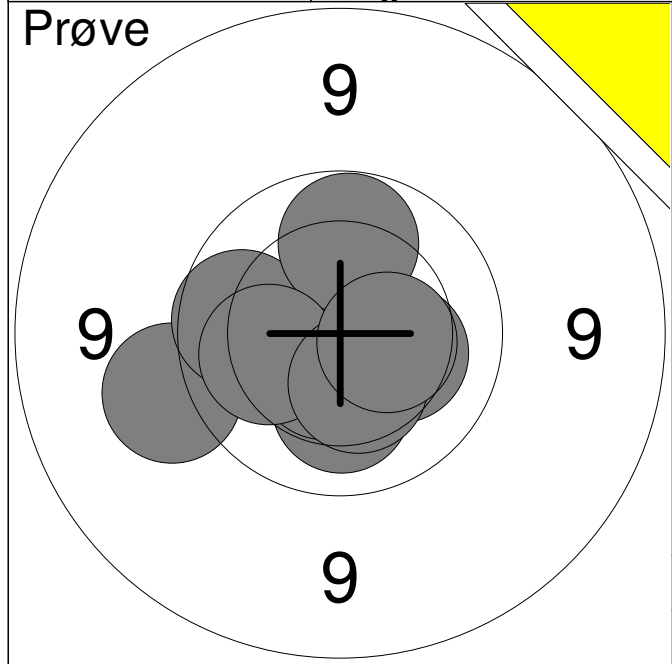
<p>20 Skud</p> 	<table style="width:100%; border-collapse: collapse;"> <tr><td style="width:10%;">1:</td><td style="width:15%;">9.9</td><td style="width:10%; text-align: right;">↘</td></tr> <tr><td>2:</td><td>10.6x</td><td style="text-align: right;">→</td></tr> <tr><td>3:</td><td>10.2</td><td style="text-align: right;">→</td></tr> <tr><td>4:</td><td>10.6x</td><td style="text-align: right;">↗</td></tr> <tr><td>5:</td><td>10.9x</td><td style="text-align: right;">↘</td></tr> <tr><td>6:</td><td>10.1</td><td style="text-align: right;">↙</td></tr> <tr><td>7:</td><td>10.6x</td><td style="text-align: right;">↙</td></tr> <tr><td>8:</td><td>10.1</td><td style="text-align: right;">↙</td></tr> <tr><td>9:</td><td>10.1</td><td style="text-align: right;">→</td></tr> <tr><td>10:</td><td>10.5x</td><td style="text-align: right;">↗</td></tr> </table>	1:	9.9	↘	2:	10.6x	→	3:	10.2	→	4:	10.6x	↗	5:	10.9x	↘	6:	10.1	↙	7:	10.6x	↙	8:	10.1	↙	9:	10.1	→	10:	10.5x	↗
1:	9.9	↘																													
2:	10.6x	→																													
3:	10.2	→																													
4:	10.6x	↗																													
5:	10.9x	↘																													
6:	10.1	↙																													
7:	10.6x	↙																													
8:	10.1	↙																													
9:	10.1	→																													
10:	10.5x	↗																													
<table style="width:100%; border-collapse: collapse;"> <tr> <td style="width:10%;">Serie</td> <td style="width:80%;"></td> <td style="width:10%; text-align: right;">99.0</td> </tr> <tr> <td>Total</td> <td></td> <td style="text-align: right;">99.0</td> </tr> </table>		Serie		99.0	Total		99.0																								
Serie		99.0																													
Total		99.0																													

<p>20 Skud</p> 	<table style="width:100%; border-collapse: collapse;"> <tr><td style="width:10%;">11:</td><td style="width:15%;">10.4</td><td style="width:10%; text-align: right;">→</td></tr> <tr><td>12:</td><td>10.6x</td><td style="text-align: right;">↘</td></tr> <tr><td>13:</td><td>10.3</td><td style="text-align: right;">↘</td></tr> <tr><td>14:</td><td>10.5x</td><td style="text-align: right;">↘</td></tr> <tr><td>15:</td><td>10.8x</td><td style="text-align: right;">→</td></tr> <tr><td>16:</td><td>10.6x</td><td style="text-align: right;">↙</td></tr> <tr><td>17:</td><td>10.4</td><td style="text-align: right;">↙</td></tr> <tr><td>18:</td><td>10.7x</td><td style="text-align: right;">↘</td></tr> <tr><td>19:</td><td>10.7x</td><td style="text-align: right;">↘</td></tr> <tr><td>20:</td><td>10.5</td><td style="text-align: right;">↘</td></tr> </table>	11:	10.4	→	12:	10.6x	↘	13:	10.3	↘	14:	10.5x	↘	15:	10.8x	→	16:	10.6x	↙	17:	10.4	↙	18:	10.7x	↘	19:	10.7x	↘	20:	10.5	↘
11:	10.4	→																													
12:	10.6x	↘																													
13:	10.3	↘																													
14:	10.5x	↘																													
15:	10.8x	→																													
16:	10.6x	↙																													
17:	10.4	↙																													
18:	10.7x	↘																													
19:	10.7x	↘																													
20:	10.5	↘																													
<table style="width:100%; border-collapse: collapse;"> <tr> <td style="width:10%;">Serie</td> <td style="width:80%;"></td> <td style="width:10%; text-align: right;">100.0</td> </tr> <tr> <td>Total</td> <td></td> <td style="text-align: right;">199.0</td> </tr> </table>		Serie		100.0	Total		199.0																								
Serie		100.0																													
Total		199.0																													

Prøve 	1:	10.5	→
	2:	9.8	↗
	3:	10.7x	←
	4:	10.5x	↗
	5:	10.3	↑
	6:	9.9	→
	7:	10.5	↗
	8:	10.6x	↑
	9:	10.6x	↘
	10:	10.3	↗
	Serie		98.0
Total		0.0	

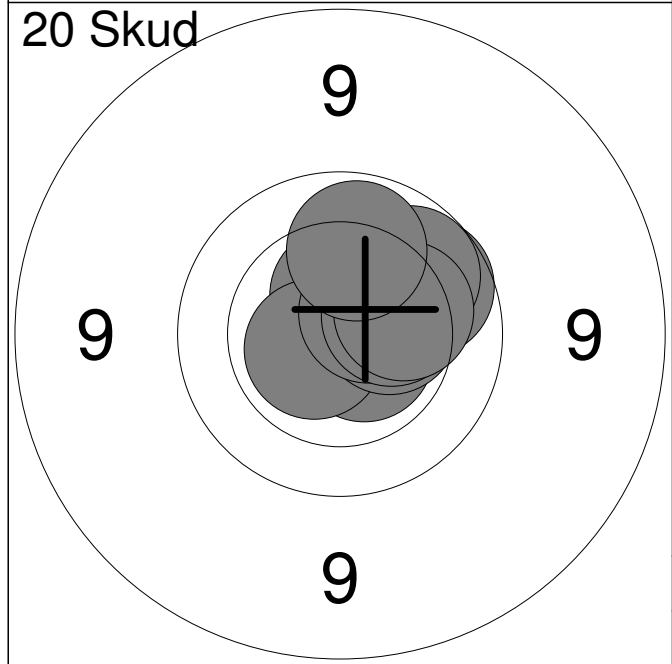
20 Skud 	1:	10.6x	→
	2:	10.4	←
	3:	10.1	↗
	4:	10.3	→
	5:	10.3	←
	6:	10.3	↑
	7:	10.7x	↗
	8:	10.7x	↗
	9:	10.1	↑
	10:	10.2	↑
	Serie		100.0
Total		100.0	

20 Skud 	11:	10.1	→
	12:	10.4	→
	13:	10.6x	↘
	14:	10.4	→
	15:	10.8x	↗
	16:	10.7x	→
	17:	10.3	↘
	18:	10.3	↗
	19:	10.4	←
	20:	10.4	←
	Serie		100.0
Total		200.0	



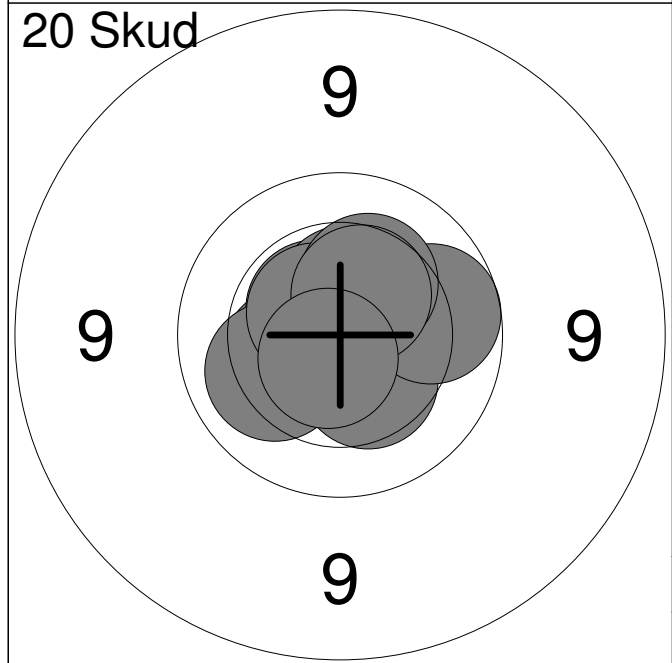
1:	9.4	←
2:	9.9	←
3:	10.2	↓
4:	10.5x	↓
5:	10.0	↑
6:	10.3	→
7:	10.1	←
8:	10.4	↓
9:	10.4	→

Serie	88.0
Total	0.0



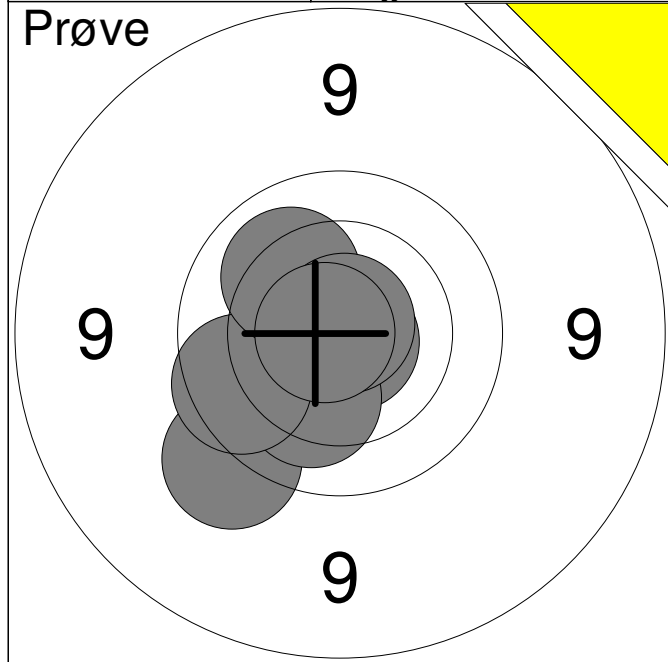
1:	9.9	↗
2:	10.6x	↘
3:	10.5x	↑
4:	10.6x	←
5:	10.4	→
6:	10.6x	↗
7:	10.0	↗
8:	10.4	→
9:	10.2	→
10:	10.0	↑

Serie	99.0
Total	99.0



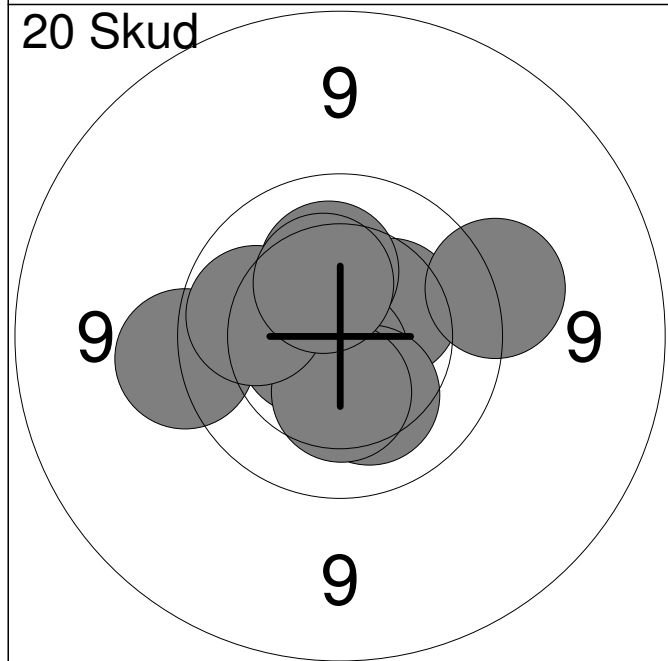
11:	10.4	←
12:	10.6x	↖
13:	10.5x	↑
14:	10.1	←
15:	10.4	↓
16:	9.9	→
17:	10.6x	↖
18:	10.3	↗
19:	10.5	↗
20:	10.7x	↘

Serie	99.0
Total	198.0



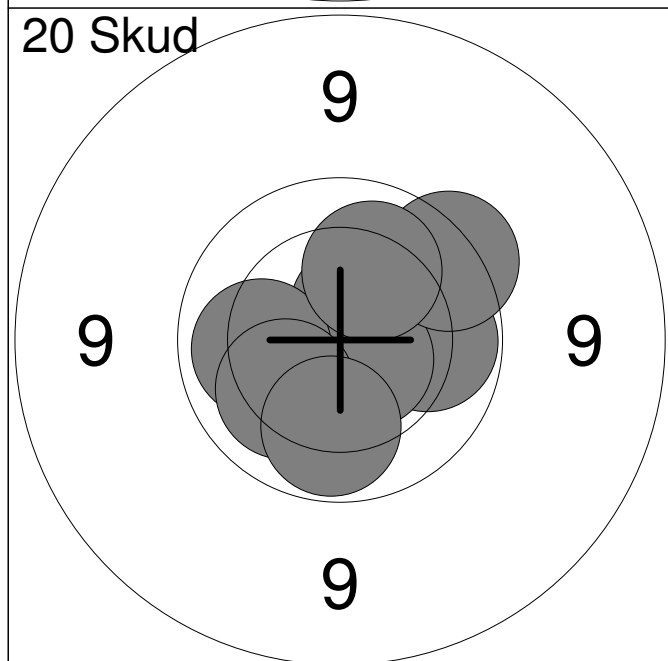
1:	10.4	←
2:	9.5	↙
3:	10.8x	↘
4:	10.2	↓
5:	9.8	↙
6:	10.1	↗
7:	10.8x	↗
8:	10.8x	←

Serie	78.0
Total	0.0



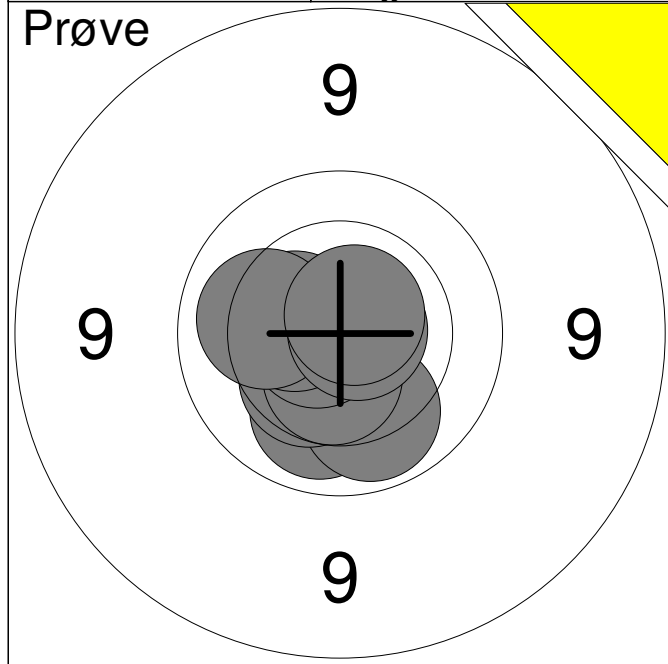
1:	10.6x	←
2:	10.3	↗
3:	9.5	→
4:	10.7x	↓
5:	10.2	↓
6:	10.3	↓
7:	10.2	↑
8:	9.6	←
9:	10.0	←
10:	10.4	↑

Serie	98.0
Total	98.0

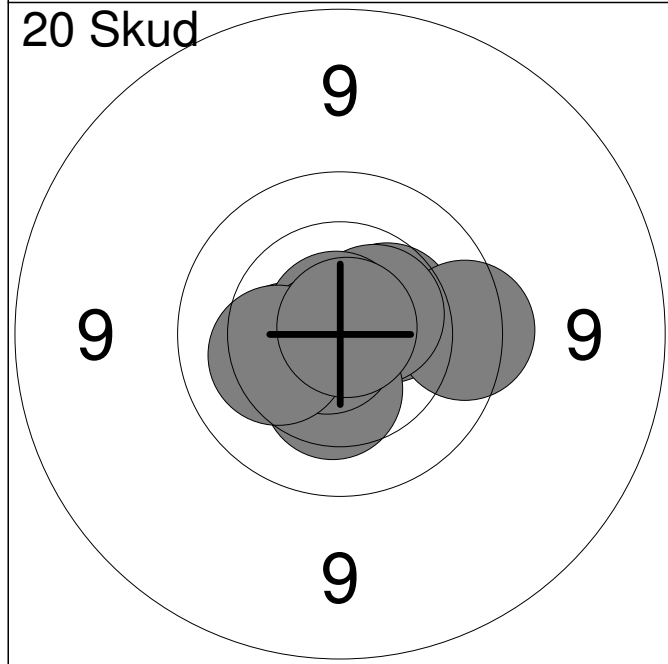


11:	10.6x	↗
12:	10.3	←
13:	10.4	↙
14:	10.0	→
15:	10.6x	↘
16:	10.1	←
17:	10.2	↙
18:	10.0	↓
19:	9.7	↗
20:	10.1	↑

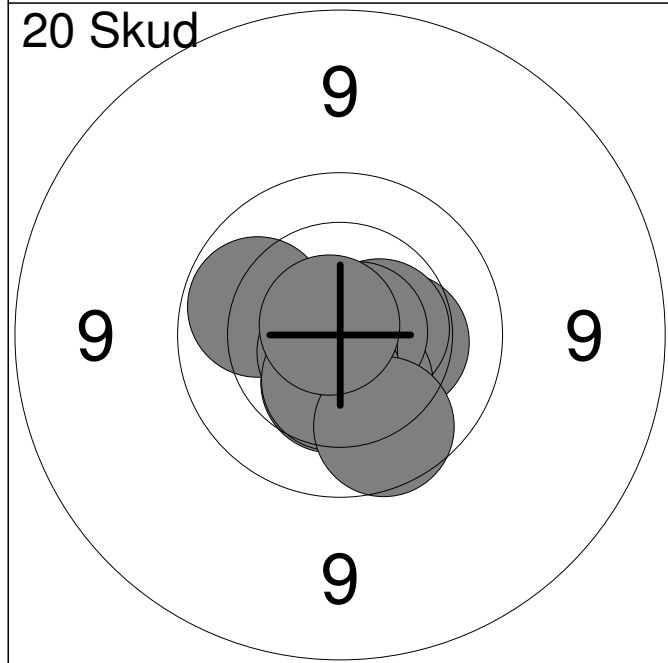
Serie	99.0
Total	197.0



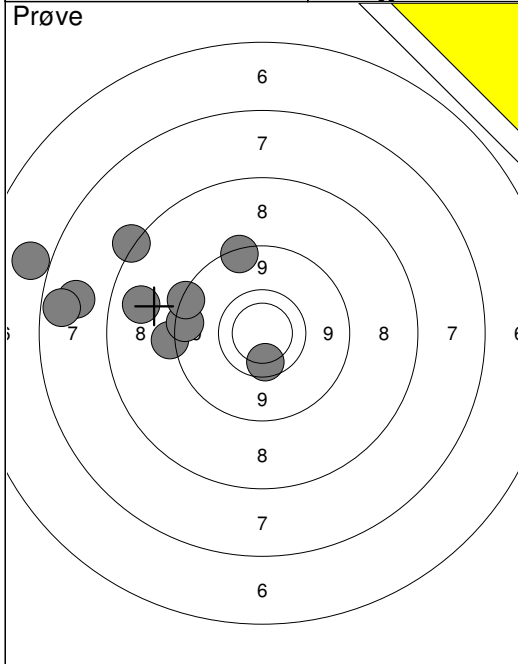
1:	10.1	↓
2:	10.7x	↙
3:	10.0	↓
4:	10.4	↙
5:	10.5x	↓
6:	10.7x	↙
7:	10.4	↙
8:	10.1	↙
9:	10.8x	→
10:	10.7x	↗
Serie		100.0
Total		0.0



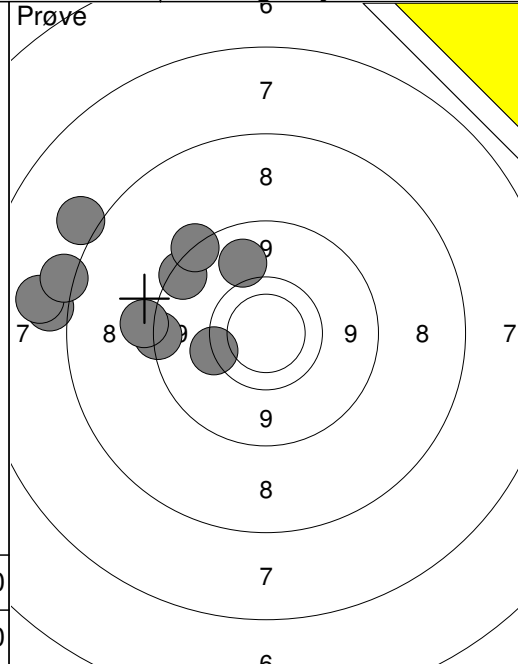
1:	10.4	→
2:	9.8	→
3:	10.4	↙
4:	10.7x	↙
5:	10.5x	→
6:	10.8x	↗
7:	10.3	↓
8:	10.8x	↙
9:	10.2	↙
10:	10.8x	↗
Serie		99.0
Total		99.0



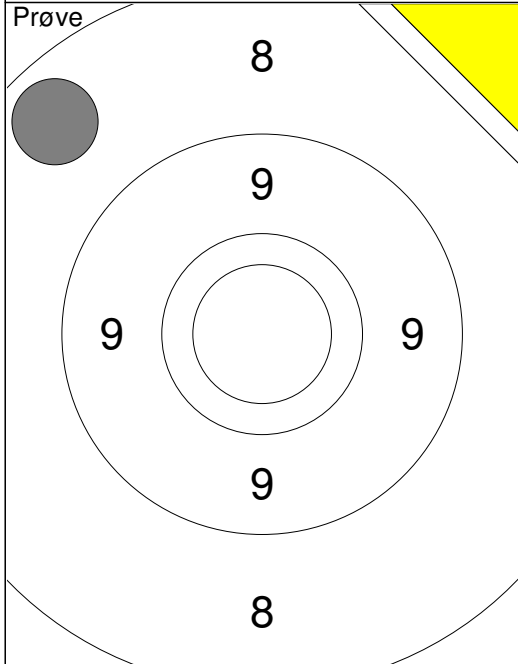
11:	10.3	→
12:	10.5x	→
13:	10.4	↓
14:	10.4	↓
15:	10.0	↙
16:	10.8x	→
17:	10.7x	↙
18:	10.5	↓
19:	9.9	↓
20:	10.8x	↗
Serie		99.0
Total		198.0



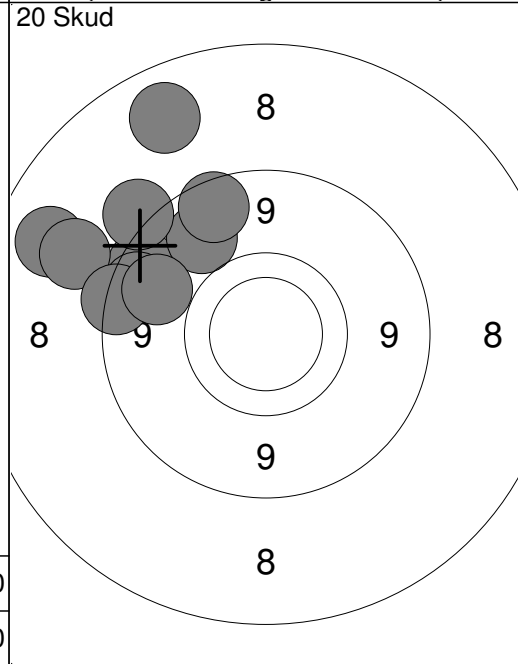
1:	8.6	←
2:	9.9	↓
3:	8.8	←
4:	7.2	←
5:	8.1	←
6:	6.4	←
7:	8.7	↑
8:	7.0	←
9:	7.6	↖
10:	8.7	↖
Serie		76.0
Total		0.0



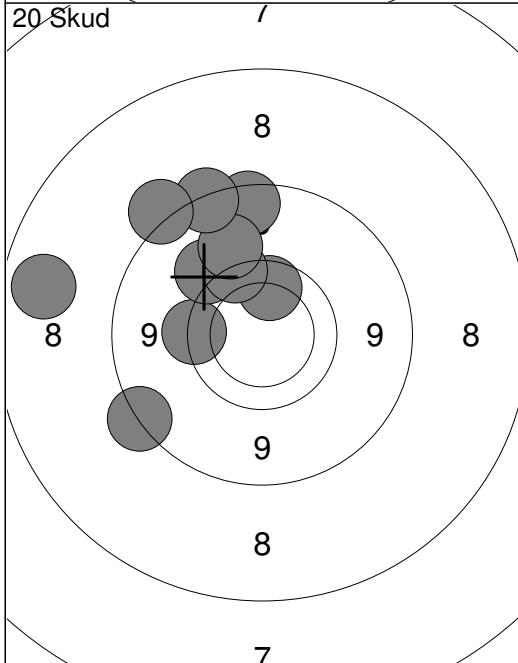
11:	7.5	↖
12:	8.8	↖
13:	8.7	↖
14:	7.5	←
15:	7.3	←
16:	7.6	←
17:	9.5	←
18:	8.7	←
19:	8.6	←
20:	9.2	↑
Serie		78.0
Total		0.0



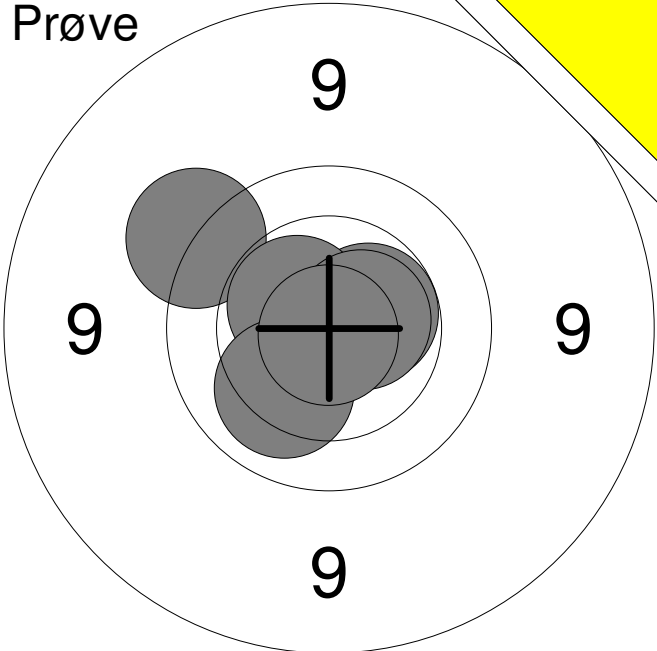
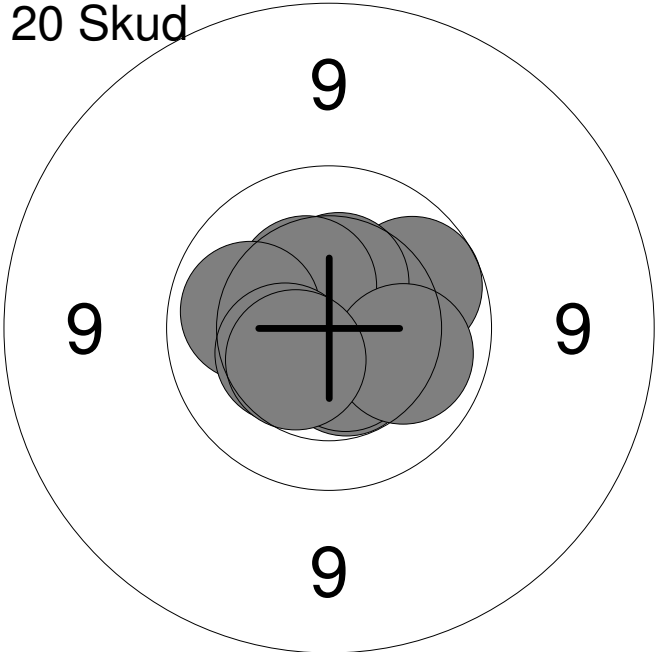
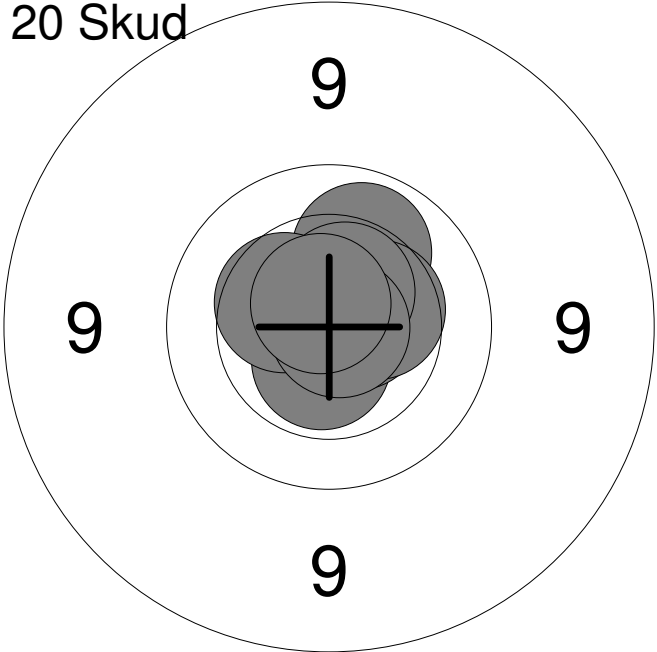
21:	8.0	↖
Serie		8.0
Total		0.0

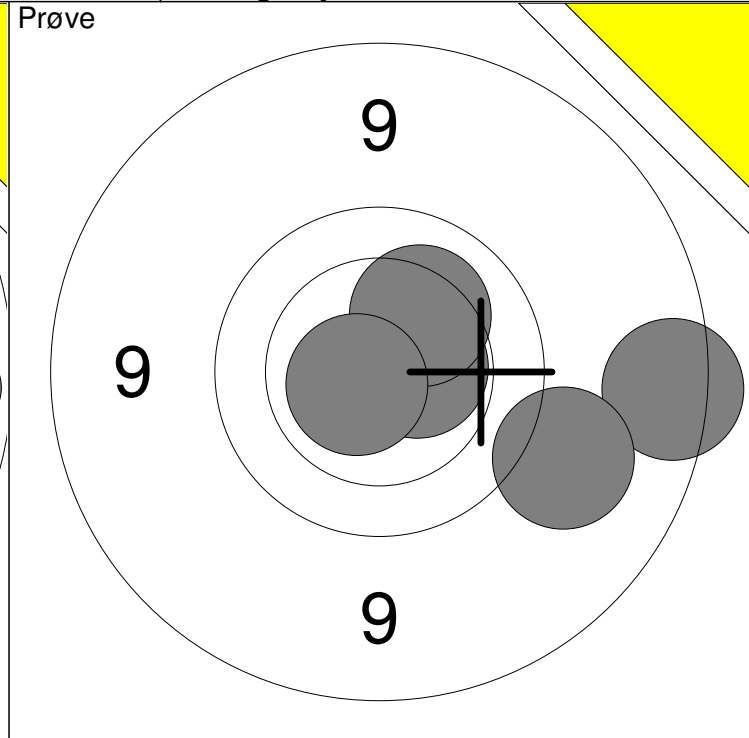
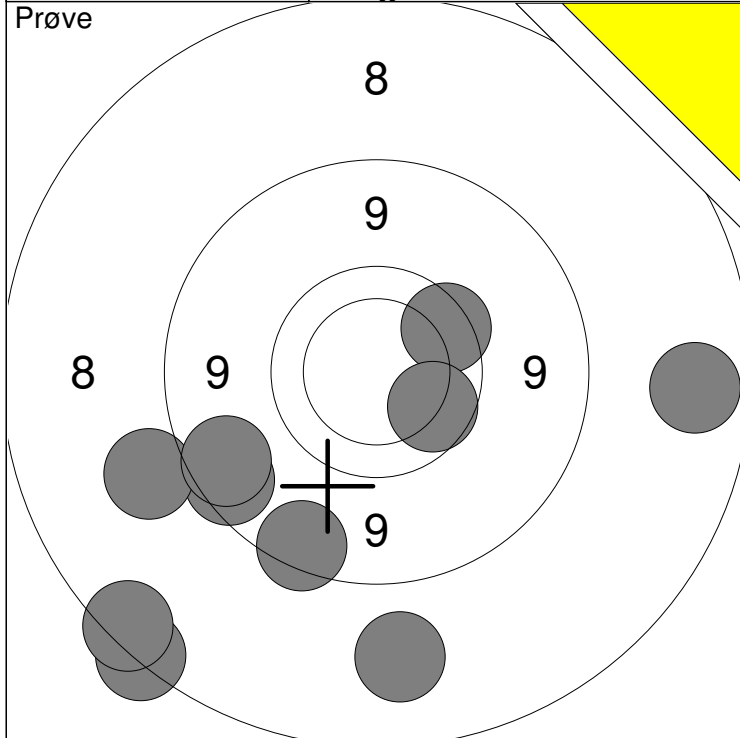


1:	8.9	↖
2:	9.1	↖
3:	8.1	↖
4:	8.9	↖
5:	8.3	↖
6:	8.6	↖
7:	8.1	↖
8:	8.9	←
9:	8.8	←
10:	9.1	↖
Serie		82.0
Total		82.0



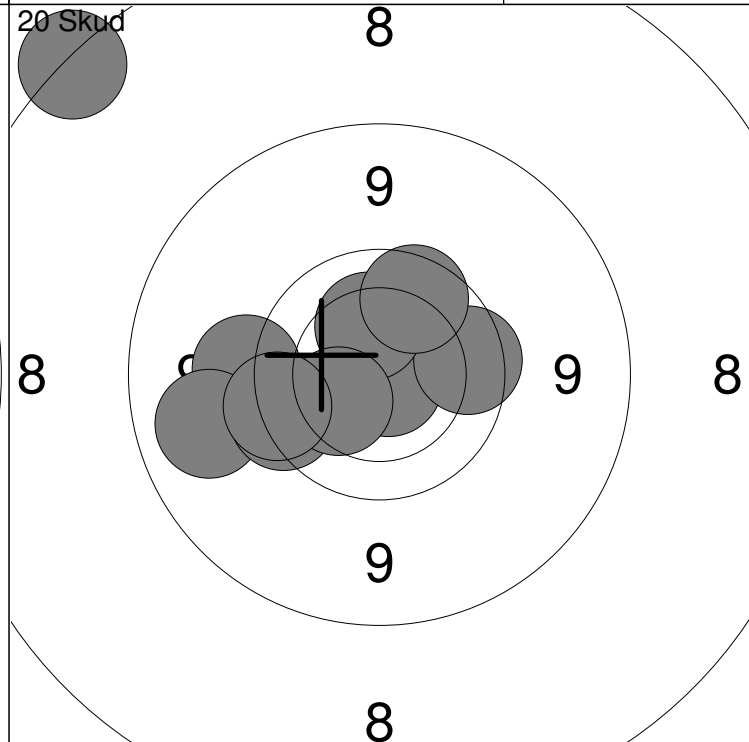
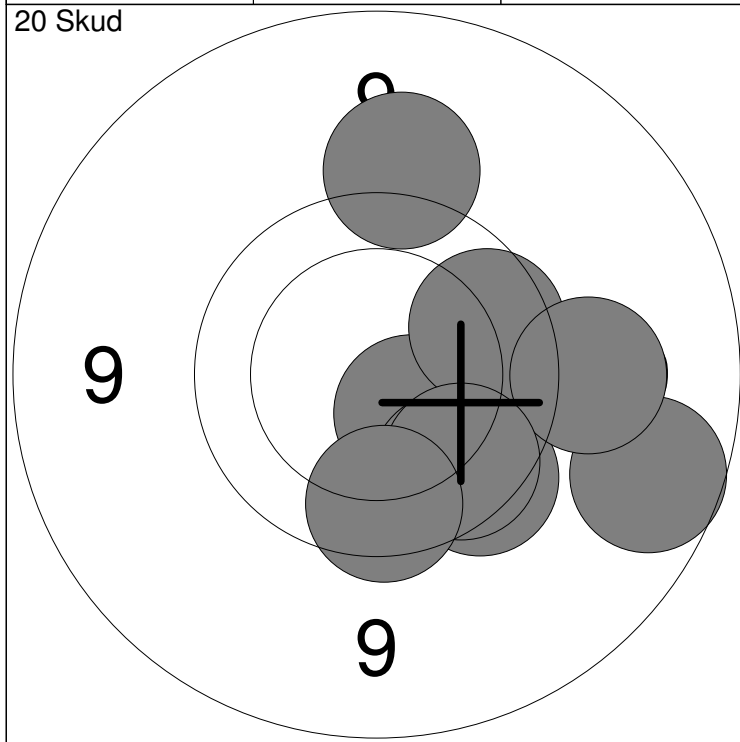
11:	9.6	←
12:	9.9	↑
13:	9.4	↖
14:	9.6	↖
15:	8.8	↑
16:	9.3	↖
17:	8.7	↖
18:	8.0	←
19:	8.7	↖
20:	8.6	↖
Serie		85.0
Total		167.0

Hold 27	Skive 9	Jonas Pedersen		
15m	Aalborg Skyttekreds		J1	
30.01.2015	Nordjysk mesterskab 2015		Aalborg Skyttekreds	
Prøve		1: 9.5	↗	
		2: 10.5x	→	
		3: 10.5x	↗	
		4: 10.6x	→	
		5: 10.1	↘	
		6: 10.9x	↓	
		Serie	59.0	
		Total	0.0	
20 Skud		1: 10.8x	↗	
		2: 10.5x	↘	
		3: 10.5x	↘	
		4: 9.9	→	
		5: 10.4	↗	
		6: 10.4	↗	
		7: 10.1	←	
		8: 10.1	→	
		9: 10.4	↘	
		10: 10.5	↘	
		Serie	99.0	
		Total	99.0	
20 Skud		11: 10.7x	↘	
		12: 10.5	↗	
		13: 10.6x	↘	
		14: 10.1	↗	
		15: 10.4	↖	
		16: 10.7x	→	
		17: 10.4	→	
		18: 10.5x	↗	
		19: 10.8x	→	
		20: 10.7x	↗	
		Serie	100.0	
		Total	199.0	



1: 8.2 ↓	6: 8.4 ←	Serie	80
2: 7.7 ↙	7: 8.9 ↙		
3: 7.8 ↙	8: 8.0 →	Total	0
4: 8.8 ↓	9: 9.7 ↗		
5: 8.8 ↙	10: 9.9 ↘		

11: 10.5x →	Serie	47
12: 8.8 →		
13: 9.3 ↘	Total	0
14: 10.2 ↗		
15: 10.7x ↙		



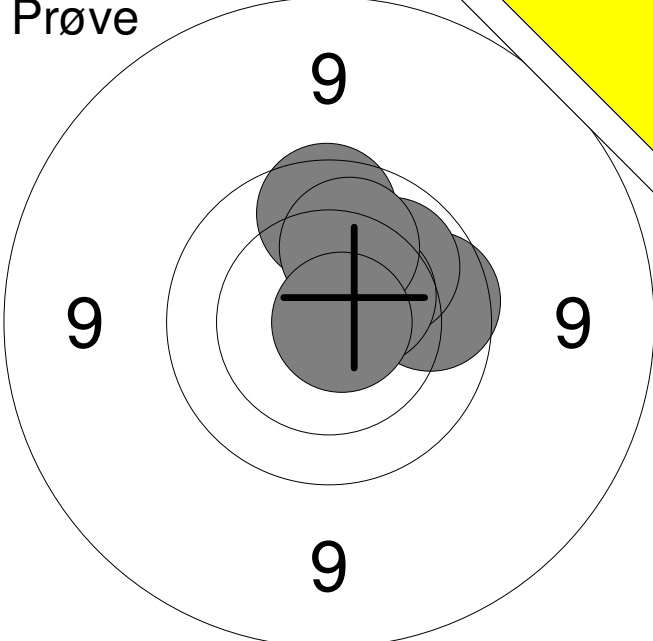
1: 10.0 ↘	6: 9.9 ↗	Serie	91
2: 9.4 ↑	7: 9.7 ↓		
3: 10.4 ↘	8: 9.4 →	Total	91
4: 9.9 ↘	9: 9.9 ↓		
5: 8.9 ↘	10: 9.8 ↓		

11: 10.8x ↓	16: 7.7 ↖	Serie	91
12: 9.8 →	17: 9.9 ↗		
13: 9.5 ←	18: 9.7 ↙	Total	182
14: 10.3 ↑	19: 10.3 ↙		
15: 9.1 ←	20: 9.7 ↙		

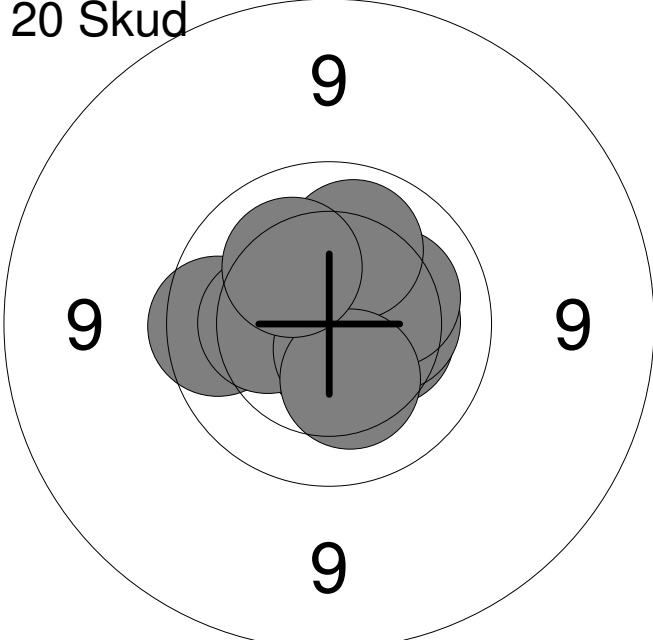
Hold 27	Skive 11	Christian Nedergaard	
-------------------	--------------------	-----------------------------	--

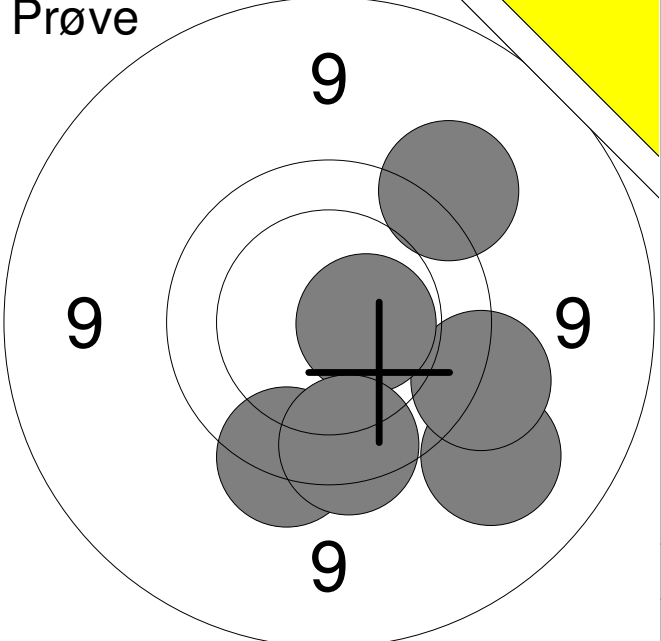
15m	Skf. Kimbrene	J2
-----	---------------	----

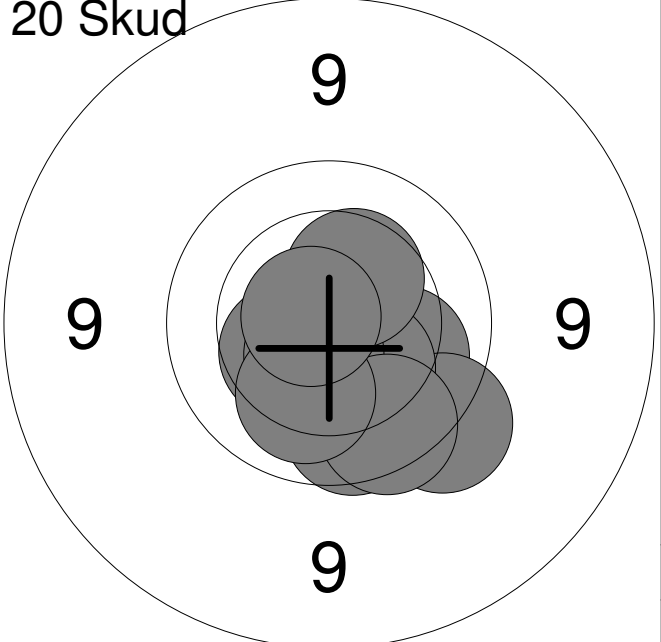
30.01.2015	Nordjysk mesterskab 2015	Aalborg Skyttekreds
------------	--------------------------	---------------------

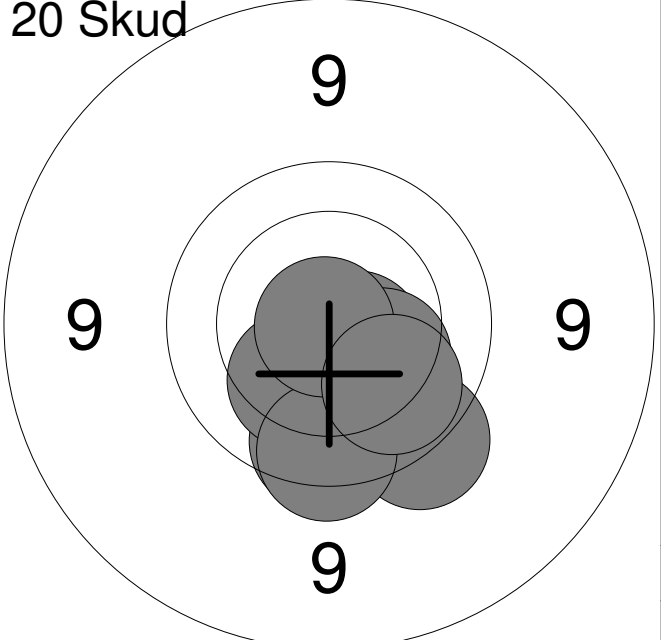
Prøve 	1: 9.9 →
	2: 10.1 ↗
	3: 10.5 ↗
	4: 9.8 ↑
	5: 10.1 ↑
	6: 10.8x →
Serie	58.0
Total	0.0

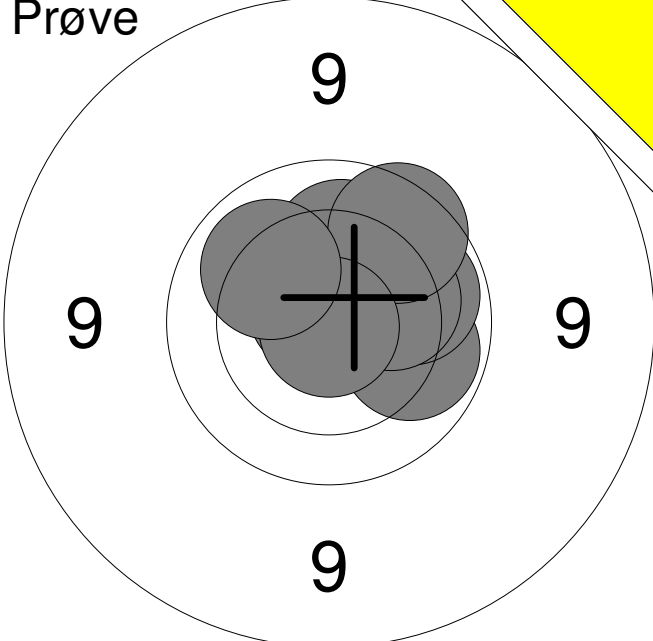
20 Skud 	1: 10.2 ↗
	2: 9.9 ↑
	3: 10.3 →
	4: 10.3 ↗
	5: 9.8 ↑
	6: 9.8 ↖
	7: 10.6x ↗
	8: 9.9 ↓
	9: 10.4 ↖
	10: 10.3 ↓
Serie	96.0
Total	96.0

20 Skud 	11: 10.7x ↓
	12: 9.8 ↖
	13: 10.3 →
	14: 10.3 →
	15: 10.3 ↖
	16: 10.6x ↓
	17: 10.2 ↗
	18: 10.1 ↑
	19: 10.3 ↓
	20: 10.2 ↗
Serie	99.0
Total	195.0

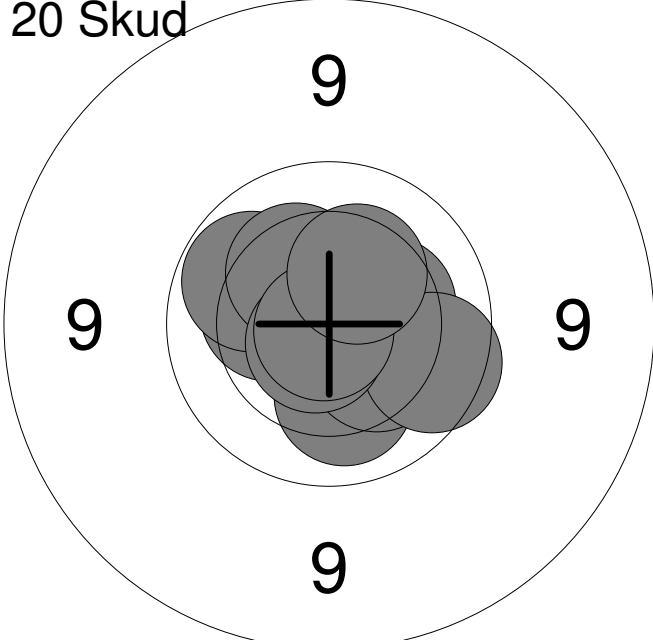
<p>Prøve</p> 	<table style="width:100%; border-collapse: collapse;"> <tr><td style="width:10%;">1:</td><td style="width:15%;">9.4</td><td style="width:10%; text-align: right;">↗</td></tr> <tr><td>2:</td><td>9.2</td><td style="text-align: right;">↘</td></tr> <tr><td>3:</td><td>9.5</td><td style="text-align: right;">↘</td></tr> <tr><td>4:</td><td>9.7</td><td style="text-align: right;">↘</td></tr> <tr><td>5:</td><td>10.5x</td><td style="text-align: right;">→</td></tr> <tr><td>6:</td><td>9.8</td><td style="text-align: right;">↘</td></tr> </table>	1:	9.4	↗	2:	9.2	↘	3:	9.5	↘	4:	9.7	↘	5:	10.5x	→	6:	9.8	↘
1:	9.4	↗																	
2:	9.2	↘																	
3:	9.5	↘																	
4:	9.7	↘																	
5:	10.5x	→																	
6:	9.8	↘																	
		<table style="width:100%; border-collapse: collapse;"> <tr> <td style="width:10%;">Serie</td> <td style="width:15%;"></td> <td style="width:10%; text-align: right;">55.0</td> </tr> <tr> <td>Total</td> <td></td> <td style="text-align: right;">0.0</td> </tr> </table>	Serie		55.0	Total		0.0											
Serie		55.0																	
Total		0.0																	

<p>20 Skud</p> 	<table style="width:100%; border-collapse: collapse;"> <tr><td style="width:10%;">1:</td><td style="width:15%;">10.1</td><td style="width:10%; text-align: right;">↘</td></tr> <tr><td>2:</td><td>9.6</td><td style="text-align: right;">↘</td></tr> <tr><td>3:</td><td>10.3</td><td style="text-align: right;">↘</td></tr> <tr><td>4:</td><td>10.4</td><td style="text-align: right;">↙</td></tr> <tr><td>5:</td><td>10.6x</td><td style="text-align: right;">↘</td></tr> <tr><td>6:</td><td>9.9</td><td style="text-align: right;">↘</td></tr> <tr><td>7:</td><td>10.4</td><td style="text-align: right;">↗</td></tr> <tr><td>8:</td><td>9.8</td><td style="text-align: right;">↘</td></tr> <tr><td>9:</td><td>10.1</td><td style="text-align: right;">↘</td></tr> <tr><td>10:</td><td>10.7x</td><td style="text-align: right;">↗</td></tr> </table>	1:	10.1	↘	2:	9.6	↘	3:	10.3	↘	4:	10.4	↙	5:	10.6x	↘	6:	9.9	↘	7:	10.4	↗	8:	9.8	↘	9:	10.1	↘	10:	10.7x	↗
1:	10.1	↘																													
2:	9.6	↘																													
3:	10.3	↘																													
4:	10.4	↙																													
5:	10.6x	↘																													
6:	9.9	↘																													
7:	10.4	↗																													
8:	9.8	↘																													
9:	10.1	↘																													
10:	10.7x	↗																													
		<table style="width:100%; border-collapse: collapse;"> <tr> <td style="width:10%;">Serie</td> <td style="width:15%;"></td> <td style="width:10%; text-align: right;">97.0</td> </tr> <tr> <td>Total</td> <td></td> <td style="text-align: right;">97.0</td> </tr> </table>	Serie		97.0	Total		97.0																							
Serie		97.0																													
Total		97.0																													

<p>20 Skud</p> 	<table style="width:100%; border-collapse: collapse;"> <tr><td style="width:10%;">11:</td><td style="width:15%;">9.8</td><td style="width:10%; text-align: right;">↘</td></tr> <tr><td>12:</td><td>10.6x</td><td style="text-align: right;">↘</td></tr> <tr><td>13:</td><td>10.6x</td><td style="text-align: right;">↘</td></tr> <tr><td>14:</td><td>10.3</td><td style="text-align: right;">↘</td></tr> <tr><td>15:</td><td>9.9</td><td style="text-align: right;">↘</td></tr> <tr><td>16:</td><td>10.3</td><td style="text-align: right;">↘</td></tr> <tr><td>17:</td><td>9.6</td><td style="text-align: right;">↘</td></tr> <tr><td>18:</td><td>9.7</td><td style="text-align: right;">↘</td></tr> <tr><td>19:</td><td>10.9x</td><td style="text-align: right;">↙</td></tr> <tr><td>20:</td><td>10.0</td><td style="text-align: right;">↘</td></tr> </table>	11:	9.8	↘	12:	10.6x	↘	13:	10.6x	↘	14:	10.3	↘	15:	9.9	↘	16:	10.3	↘	17:	9.6	↘	18:	9.7	↘	19:	10.9x	↙	20:	10.0	↘
11:	9.8	↘																													
12:	10.6x	↘																													
13:	10.6x	↘																													
14:	10.3	↘																													
15:	9.9	↘																													
16:	10.3	↘																													
17:	9.6	↘																													
18:	9.7	↘																													
19:	10.9x	↙																													
20:	10.0	↘																													
		<table style="width:100%; border-collapse: collapse;"> <tr> <td style="width:10%;">Serie</td> <td style="width:15%;"></td> <td style="width:10%; text-align: right;">96.0</td> </tr> <tr> <td>Total</td> <td></td> <td style="text-align: right;">193.0</td> </tr> </table>	Serie		96.0	Total		193.0																							
Serie		96.0																													
Total		193.0																													

Prøve 	1:	10.7x	↗	
	2:	10.2	↑	
	3:	10.0	→	
	4:	10.0	→	
	5:	10.2	→	
	6:	9.8	↗	
	7:	10.9x	↓	
	8:	10.1	↗	
	Serie		79.0	
	Total		0.0	

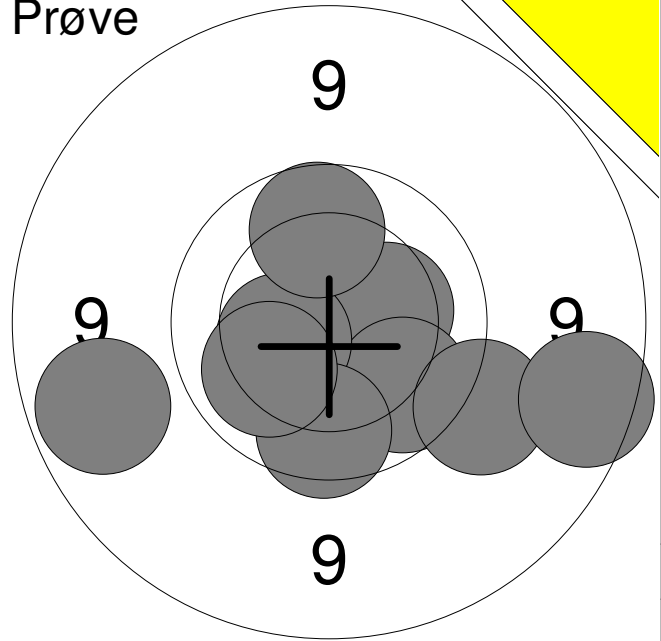
20 Skud 	1:	10.2	→
	2:	10.2	↙
	3:	9.8	→
	4:	10.7x	→
	5:	10.8x	↑
	6:	9.8	↘
	7:	10.2	↓
	8:	10.0	↗
	9:	10.7x	←
	10:	9.6	↘
	Serie		97.0
Total		97.0	

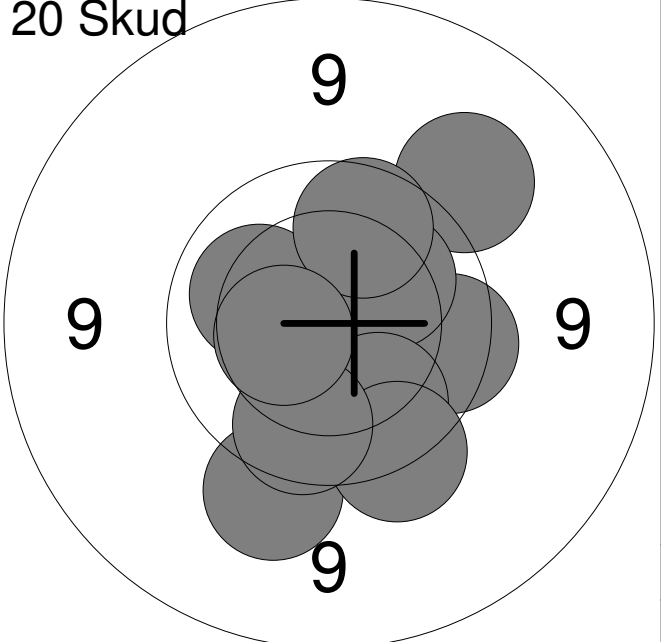
20 Skud 	11:	10.2	↓
	12:	10.3	→
	13:	10.3	←
	14:	10.0	↗
	15:	10.3	↘
	16:	9.8	↘
	17:	10.3	↗
	18:	10.7x	↙
	19:	10.9x	↙
	20:	10.3	↗
	Serie		99.0
Total		196.0	

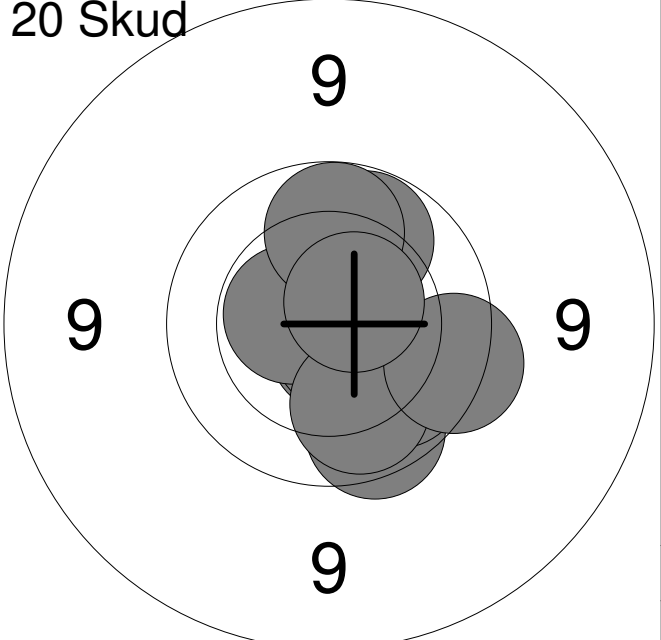
Hold 28	Skive 3	Jasmin Kristensen	
-------------------	-------------------	--------------------------	--

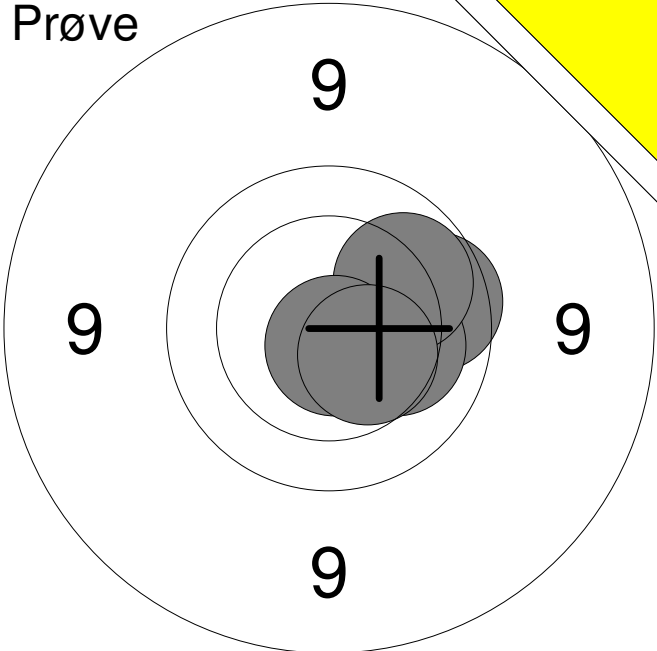
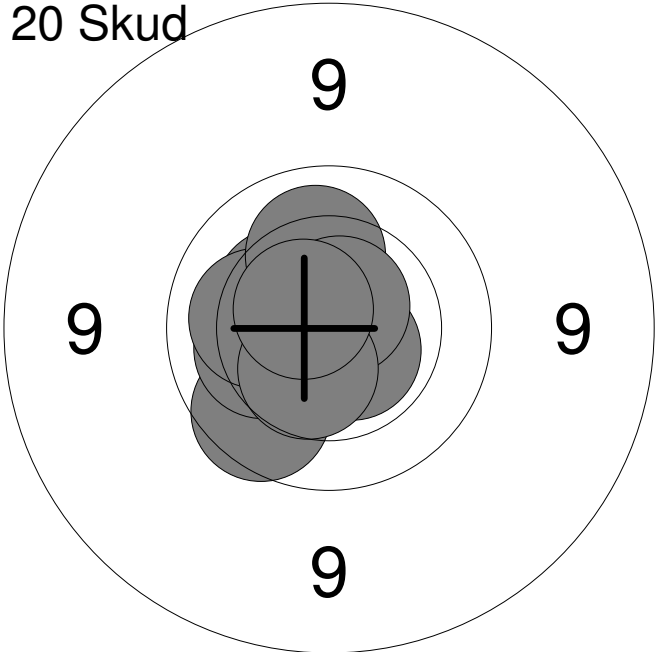
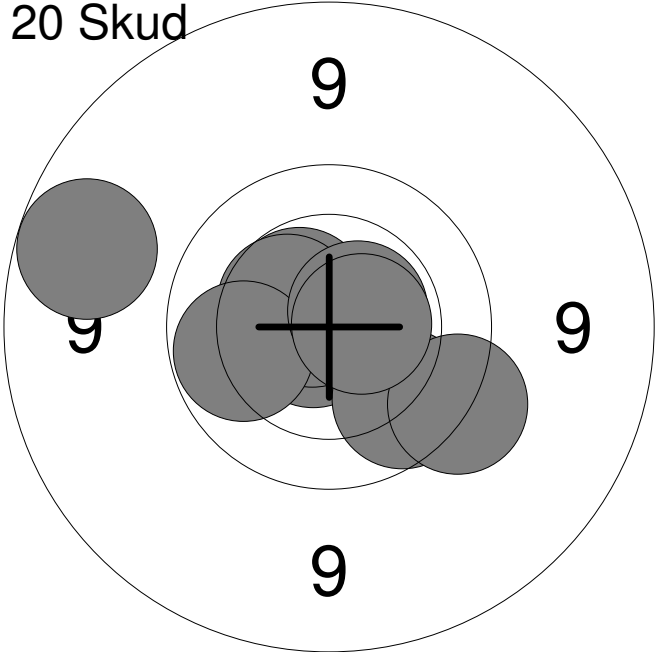
15m	Mou & Omegns Skf.	MB3
-----	-------------------	-----

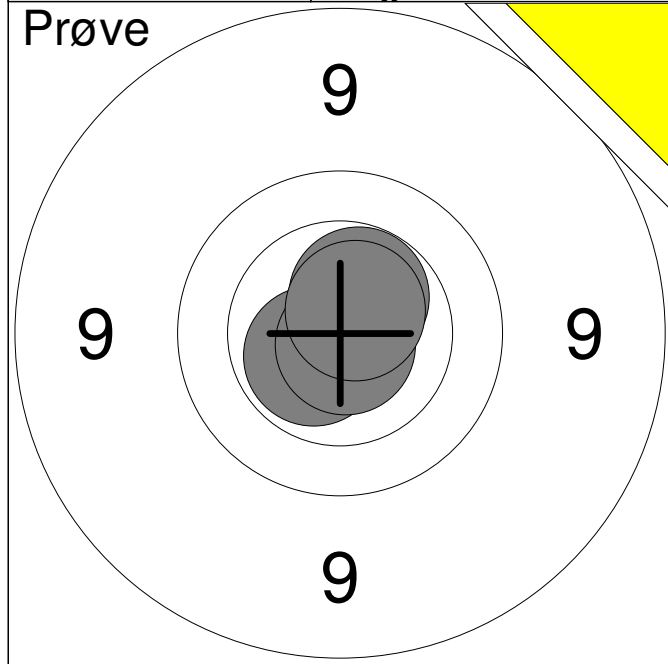
30.01.2015	Nordjysk mesterskab 2015	Aalborg Skyttekreds
------------	--------------------------	---------------------

Prøve 	1:	10.7x	←
	2:	10.3	→
	3:	9.9	↘
	4:	9.4	↘
	5:	10.4	←
	6:	9.8	↓
	7:	9.0	←
	8:	9.9	↑
	9:	10.1	←
	10:	8.9	→
	Serie		93.0
Total		0.0	

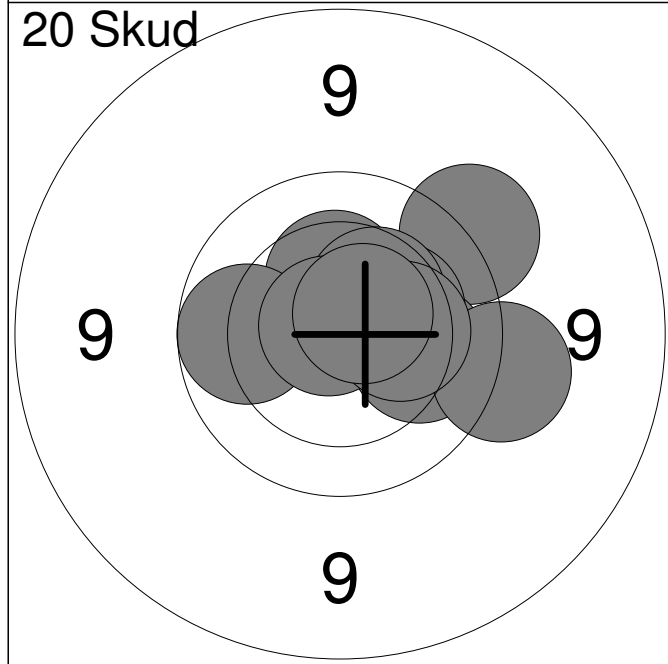
20 Skud 	1:	9.8	→
	2:	10.1	←
	3:	9.3	↗
	4:	10.2	↗
	5:	9.9	↓
	6:	9.4	↓
	7:	9.9	↑
	8:	9.6	↓
	9:	9.9	↓
	10:	10.4	←
	Serie		93.0
Total		93.0	

20 Skud 	11:	10.0	↑
	12:	9.8	↓
	13:	10.7x	↓
	14:	10.7x	↓
	15:	10.6x	←
	16:	10.0	↑
	17:	10.0	↓
	18:	10.0	↓
	19:	9.7	→
	20:	10.6x	↗
	Serie		98.0
Total		191.0	

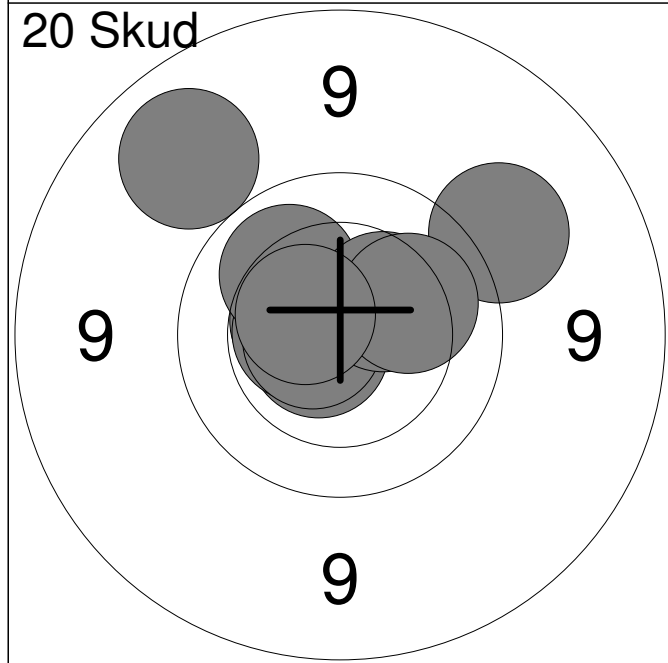
Hold	Skive	Jonathan Larsen	
28	4	Frederikshavn Skyttekreds	MJ2
15m			
30.01.2015	Nordjysk mesterskab 2015	Aalborg Skyttekreds	
Prøve		1: 9.9 →	
		2: 10.2 →	
		3: 10.0 →	
		4: 10.8x ↓	
		5: 10.4 ↓	
		Serie	49.0
		Total	0.0
20 Skud		1: 10.4 ↗	
		2: 9.9 ↓	
		3: 10.9x ←	
		4: 10.2 ←	
		5: 10.6x ↓	
		6: 10.2 ←	
		7: 10.2 ↑	
		8: 10.7x ↑	
		9: 10.5 ↓	
		10: 10.6x ↗	
		Serie	99.0
		Total	99.0
20 Skud		11: 10.5x ↗	
		12: 10.7x ↓	
		13: 10.7x ↗	
		14: 9.9 ↓	
		15: 9.0 ↑	
		16: 10.4 ↗	
		17: 9.6 ↓	
		18: 10.0 ←	
		19: 10.6x ↗	
		20: 10.6x →	
		Serie	97.0
		Total	196.0



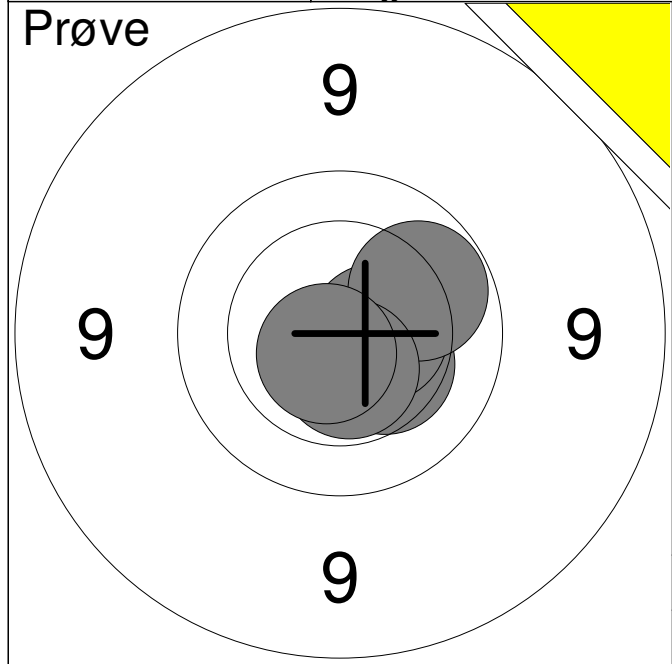
1:	10.5x	↗
2:	10.6x	↖
3:	10.8x	↘
4:	10.7x	↗
Serie		40.0
Total		0.0



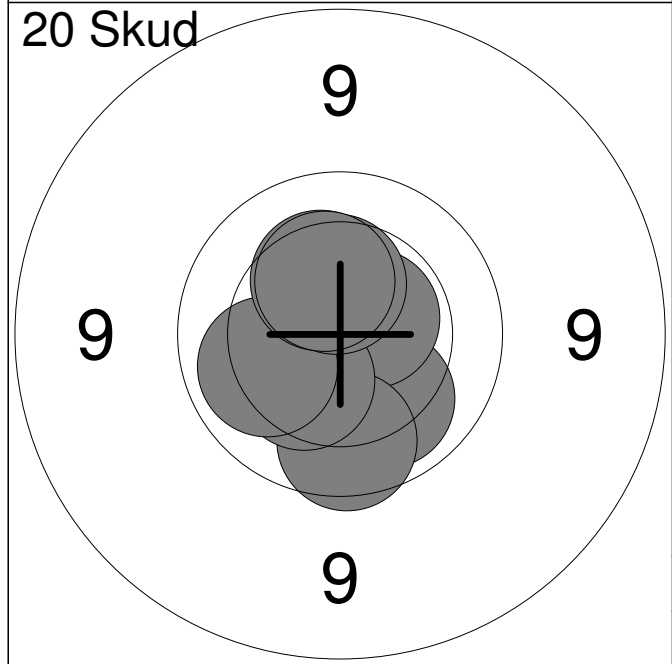
1:	9.5	↗
2:	10.4	↑
3:	10.1	→
4:	10.3	↗
5:	9.5	→
6:	9.9	←
7:	10.4	↗
8:	10.8x	↖
9:	10.3	→
10:	10.6x	↗
Serie		97.0
Total		97.0



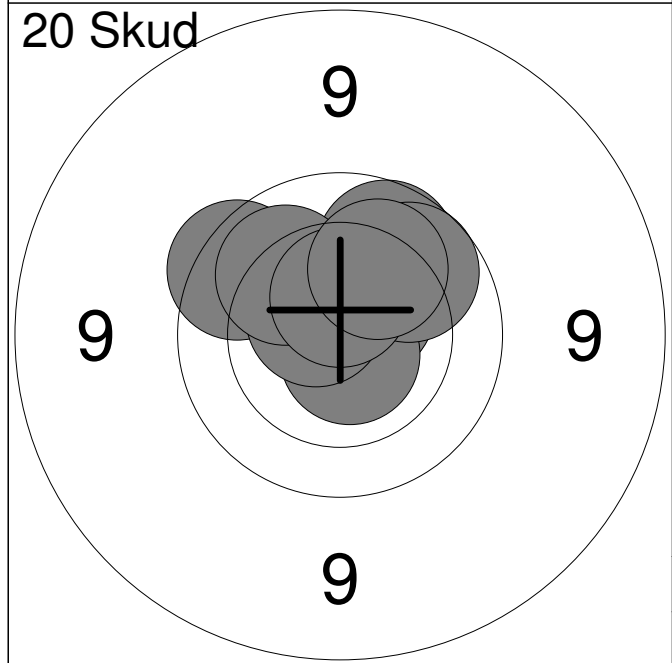
11:	10.5	←
12:	10.7x	↖
13:	10.5x	←
14:	10.1	↗
15:	10.7x	←
16:	9.1	↗
17:	9.4	↗
18:	10.4	↗
19:	10.1	→
20:	10.5x	↖
Serie		98.0
Total		195.0



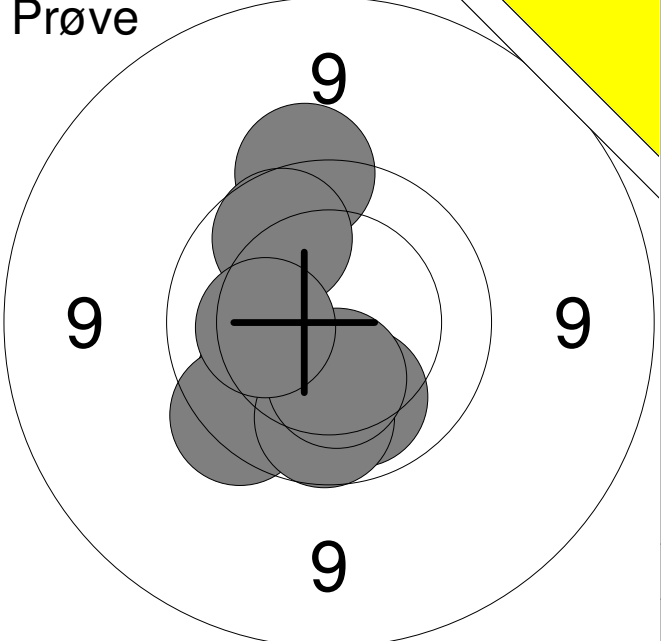
1:	10.4	↘
2:	10.5x	→
3:	10.0	↗
4:	10.6x	↓
5:	10.7x	↙
Serie		50.0
Total		0.0

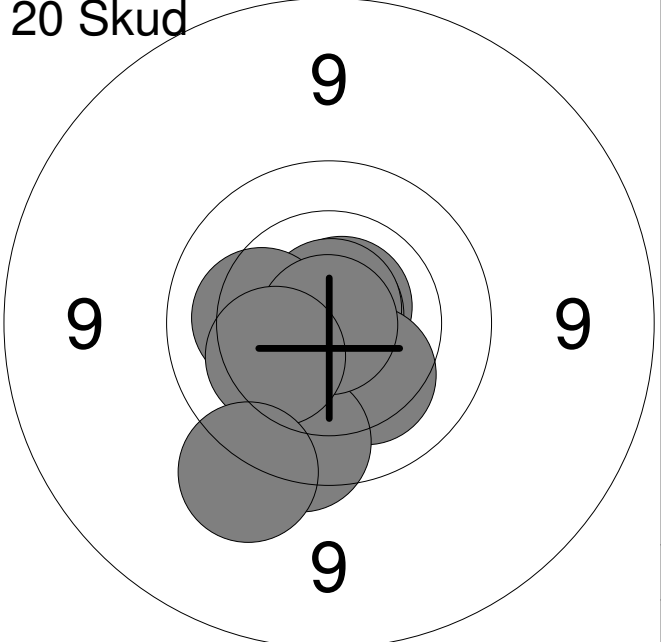


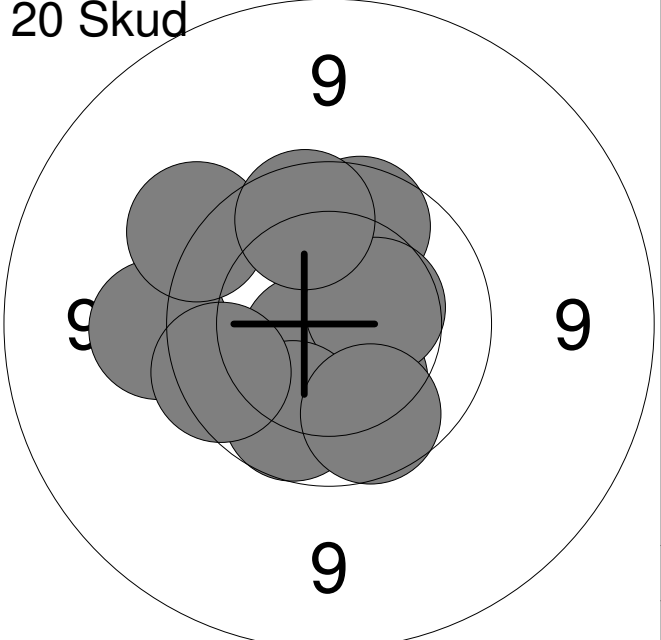
1:	10.4	↙
2:	10.8x	↓
3:	10.1	↓
4:	10.6x	↗
5:	9.9	↓
6:	10.3	↙
7:	10.1	↖
8:	10.3	↑
9:	10.4	↑
10:	10.4	↑
Serie		99.0
Total		99.0

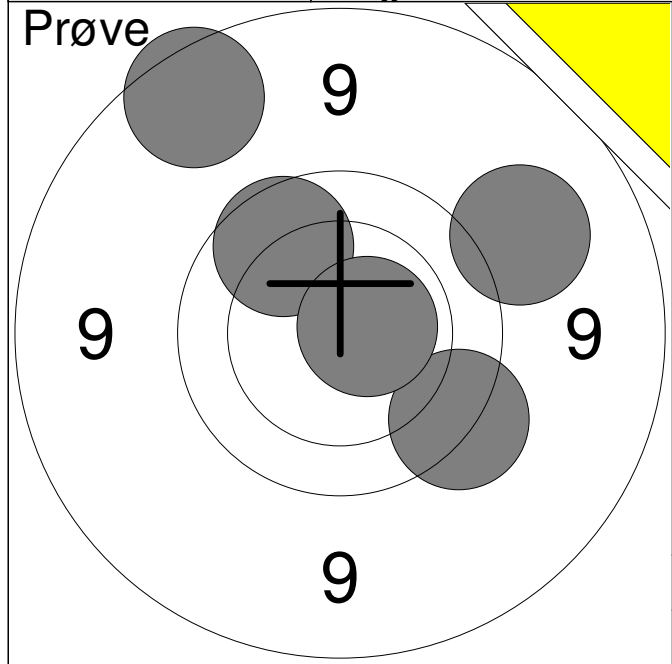


11:	10.6x	↗
12:	9.8	↖
13:	10.6x	↗
14:	9.9	↗
15:	10.7x	↓
16:	10.6x	↗
17:	9.9	↗
18:	10.1	↖
19:	10.5x	↑
20:	10.1	↗
Serie		97.0
Total		196.0

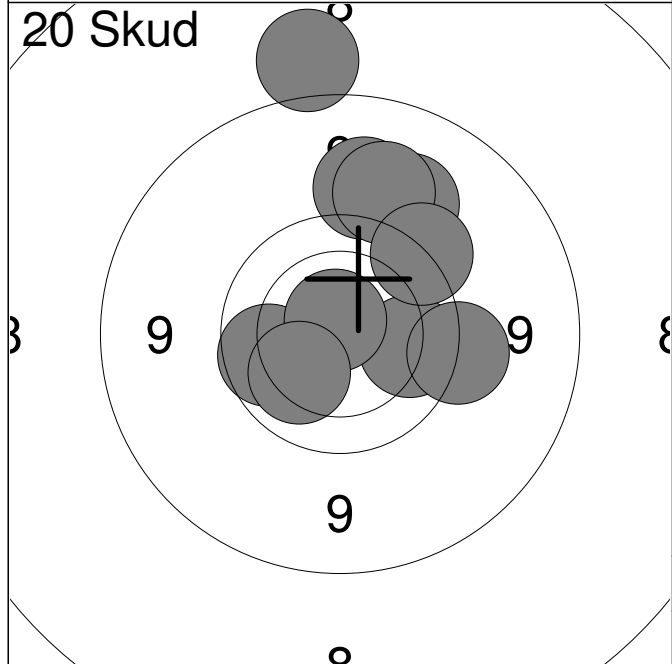
<p>Prøve</p> 	<table style="width:100%; border-collapse: collapse;"> <tr><td style="width:10%;">1:</td><td style="width:15%;">10.0</td><td style="width:10%; text-align: right;">↙</td></tr> <tr><td>2:</td><td>9.6</td><td style="text-align: right;">↑</td></tr> <tr><td>3:</td><td>10.1</td><td style="text-align: right;">↘</td></tr> <tr><td>4:</td><td>9.7</td><td style="text-align: right;">↙</td></tr> <tr><td>5:</td><td>9.9</td><td style="text-align: right;">↑</td></tr> <tr><td>6:</td><td>9.9</td><td style="text-align: right;">↘</td></tr> <tr><td>7:</td><td>10.3</td><td style="text-align: right;">↘</td></tr> <tr><td>8:</td><td>10.3</td><td style="text-align: right;">←</td></tr> </table>	1:	10.0	↙	2:	9.6	↑	3:	10.1	↘	4:	9.7	↙	5:	9.9	↑	6:	9.9	↘	7:	10.3	↘	8:	10.3	←
1:	10.0	↙																							
2:	9.6	↑																							
3:	10.1	↘																							
4:	9.7	↙																							
5:	9.9	↑																							
6:	9.9	↘																							
7:	10.3	↘																							
8:	10.3	←																							
<table style="width:100%; border-collapse: collapse;"> <tr> <td style="width:10%;">Serie</td> <td style="width:15%;"></td> <td style="width:10%; text-align: right;">76.0</td> </tr> <tr> <td>Total</td> <td></td> <td style="text-align: right;">0.0</td> </tr> </table>		Serie		76.0	Total		0.0																		
Serie		76.0																							
Total		0.0																							

<p>20 Skud</p> 	<table style="width:100%; border-collapse: collapse;"> <tr><td style="width:10%;">1:</td><td style="width:15%;">10.7x</td><td style="width:10%; text-align: right;">↗</td></tr> <tr><td>2:</td><td>10.8x</td><td style="text-align: right;">↗</td></tr> <tr><td>3:</td><td>10.4</td><td style="text-align: right;">↘</td></tr> <tr><td>4:</td><td>10.8x</td><td style="text-align: right;">↑</td></tr> <tr><td>5:</td><td>10.2</td><td style="text-align: right;">←</td></tr> <tr><td>6:</td><td>10.3</td><td style="text-align: right;">↘</td></tr> <tr><td>7:</td><td>9.8</td><td style="text-align: right;">↘</td></tr> <tr><td>8:</td><td>10.9x</td><td style="text-align: right;">↙</td></tr> <tr><td>9:</td><td>10.3</td><td style="text-align: right;">↙</td></tr> <tr><td>10:</td><td>9.5</td><td style="text-align: right;">↘</td></tr> </table>	1:	10.7x	↗	2:	10.8x	↗	3:	10.4	↘	4:	10.8x	↑	5:	10.2	←	6:	10.3	↘	7:	9.8	↘	8:	10.9x	↙	9:	10.3	↙	10:	9.5	↘
1:	10.7x	↗																													
2:	10.8x	↗																													
3:	10.4	↘																													
4:	10.8x	↑																													
5:	10.2	←																													
6:	10.3	↘																													
7:	9.8	↘																													
8:	10.9x	↙																													
9:	10.3	↙																													
10:	9.5	↘																													
<table style="width:100%; border-collapse: collapse;"> <tr> <td style="width:10%;">Serie</td> <td style="width:15%;"></td> <td style="width:10%; text-align: right;">98.0</td> </tr> <tr> <td>Total</td> <td></td> <td style="text-align: right;">98.0</td> </tr> </table>		Serie		98.0	Total		98.0																								
Serie		98.0																													
Total		98.0																													

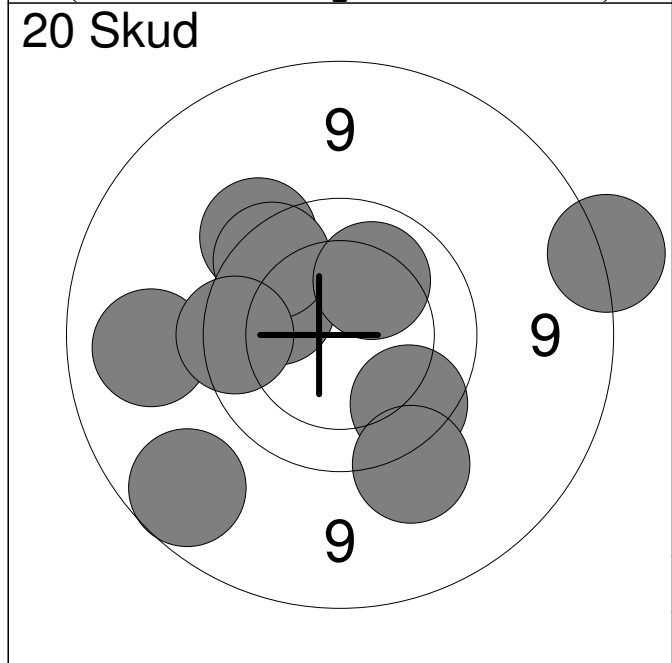
<p>20 Skud</p> 	<table style="width:100%; border-collapse: collapse;"> <tr><td style="width:10%;">11:</td><td style="width:15%;">9.5</td><td style="width:10%; text-align: right;">←</td></tr> <tr><td>12:</td><td>9.9</td><td style="text-align: right;">↑</td></tr> <tr><td>13:</td><td>10.3</td><td style="text-align: right;">↘</td></tr> <tr><td>14:</td><td>10.7x</td><td style="text-align: right;">↙</td></tr> <tr><td>15:</td><td>10.4</td><td style="text-align: right;">→</td></tr> <tr><td>16:</td><td>9.9</td><td style="text-align: right;">↘</td></tr> <tr><td>17:</td><td>9.5</td><td style="text-align: right;">↗</td></tr> <tr><td>18:</td><td>9.9</td><td style="text-align: right;">↑</td></tr> <tr><td>19:</td><td>9.9</td><td style="text-align: right;">↘</td></tr> <tr><td>20:</td><td>9.8</td><td style="text-align: right;">↙</td></tr> </table>	11:	9.5	←	12:	9.9	↑	13:	10.3	↘	14:	10.7x	↙	15:	10.4	→	16:	9.9	↘	17:	9.5	↗	18:	9.9	↑	19:	9.9	↘	20:	9.8	↙
11:	9.5	←																													
12:	9.9	↑																													
13:	10.3	↘																													
14:	10.7x	↙																													
15:	10.4	→																													
16:	9.9	↘																													
17:	9.5	↗																													
18:	9.9	↑																													
19:	9.9	↘																													
20:	9.8	↙																													
<table style="width:100%; border-collapse: collapse;"> <tr> <td style="width:10%;">Serie</td> <td style="width:15%;"></td> <td style="width:10%; text-align: right;">93.0</td> </tr> <tr> <td>Total</td> <td></td> <td style="text-align: right;">191.0</td> </tr> </table>		Serie		93.0	Total		191.0																								
Serie		93.0																													
Total		191.0																													



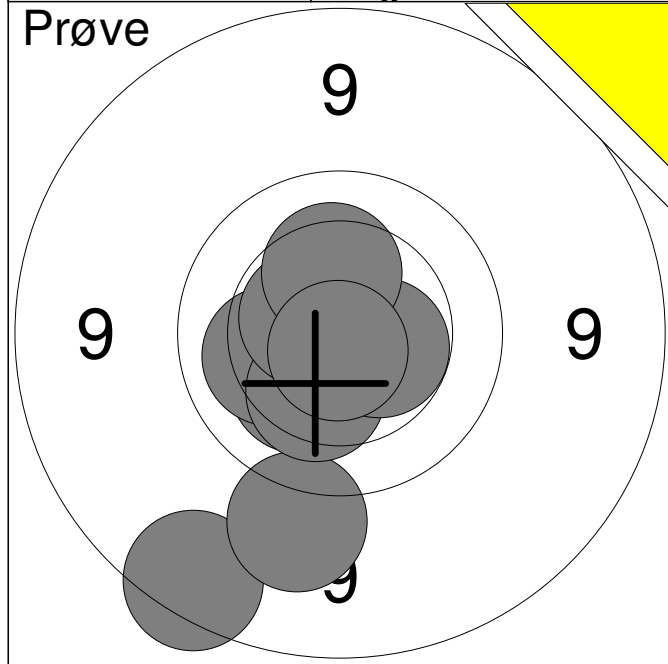
1:	9.9	↗
2:	9.6	↘
3:	8.9	↗
4:	9.3	↗
5:	10.6x	→
Serie		45.0
Total		0.0



1:	9.3	↗
2:	9.9	→
3:	9.3	↑
4:	9.9	←
5:	9.3	↑
6:	8.5	↑
7:	9.6	↗
8:	10.7x	↑
9:	9.5	→
10:	10.1	↙
Serie		91.0
Total		91.0

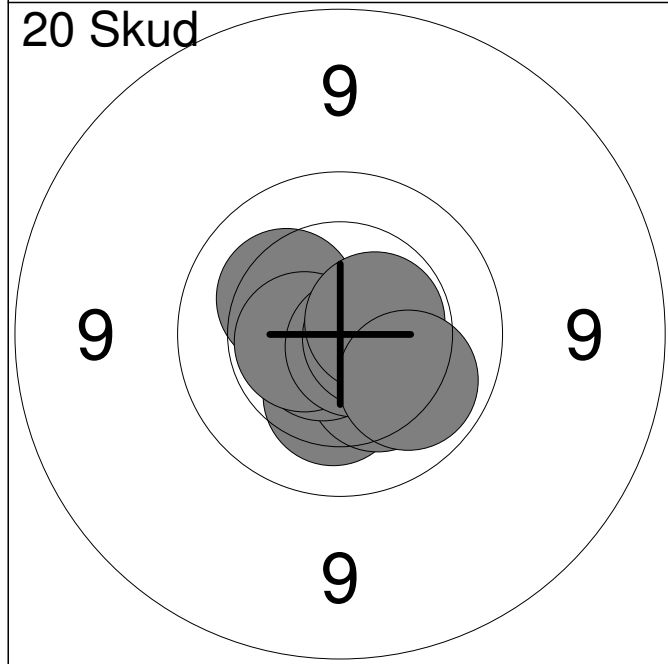


11:	9.6	↗
12:	8.6	→
13:	10.1	↗
14:	9.8	↗
15:	9.8	↘
16:	8.9	↘
17:	9.1	←
18:	9.4	↘
19:	9.8	←
20:	10.1	↗
Serie		90.0
Total		181.0



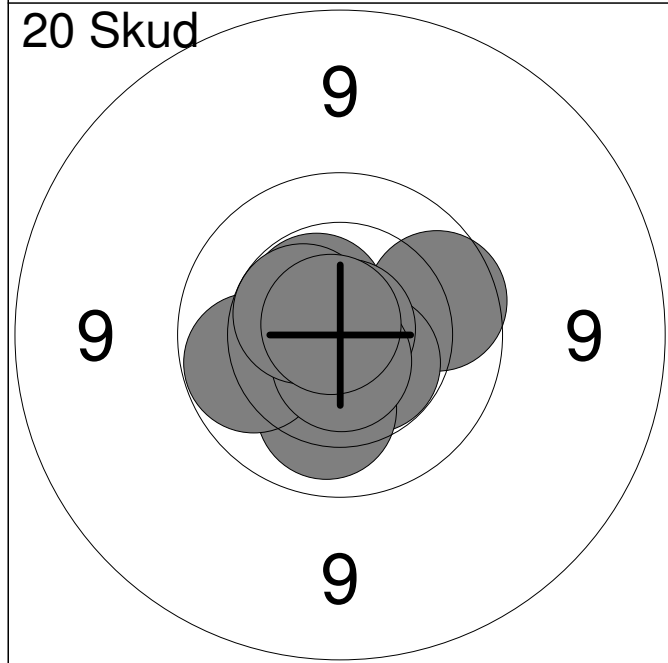
1:	8.8	↙
2:	9.3	↓
3:	10.3	↙
4:	10.2	↖
5:	10.3	↙
6:	10.6x	↗
7:	10.5x	↘
8:	10.3	↑
9:	10.8x	↓

Serie	87.0
Total	0.0



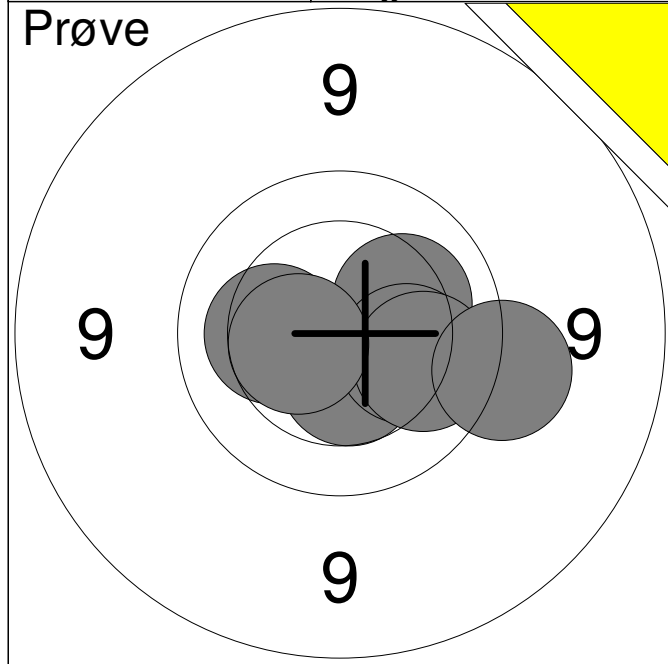
1:	10.3	↗
2:	10.3	↓
3:	10.3	↓
4:	10.7x	↖
5:	10.6x	↖
6:	10.5x	↘
7:	10.7x	↓
8:	10.6x	→
9:	10.5x	→
10:	10.1	↓

Serie	100.0
Total	100.0

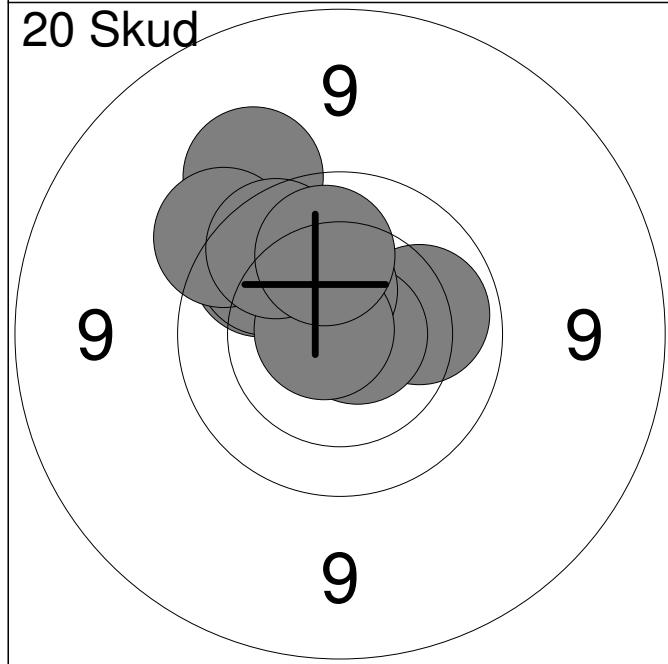


11:	9.9	→
12:	10.5x	↓
13:	10.8x	↖
14:	10.1	↓
15:	10.0	↖
16:	10.5x	↗
17:	10.9x	↗
18:	10.7x	↓
19:	10.5x	↗
20:	10.8x	↗

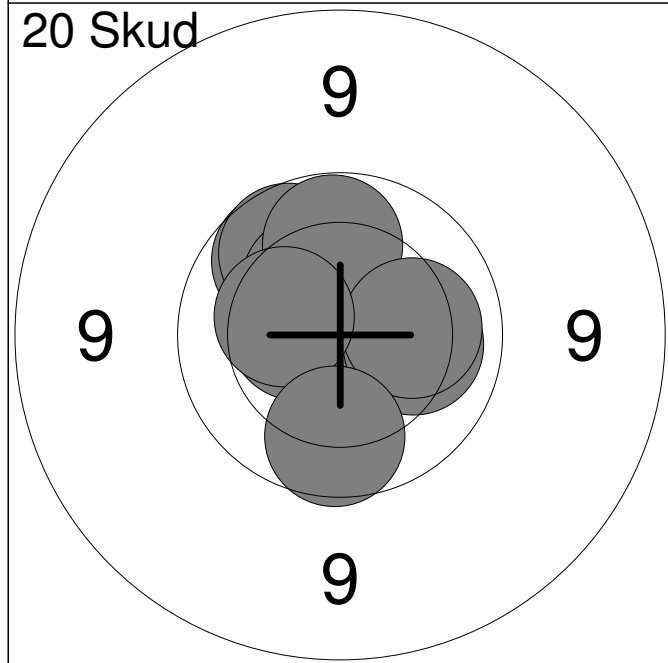
Serie	99.0
Total	199.0



1:	10.2	→
2:	10.5	↓
3:	10.2	→
4:	10.0	→
5:	9.5	→
6:	10.2	←
7:	10.5	←
Serie	69.0	
Total	0.0	



1:	10.1	→
2:	9.9	↗
3:	10.8x	→
4:	9.9	↗
5:	9.4	↗
6:	10.5	↗
7:	10.8x	↖
8:	9.6	↗
9:	9.9	↗
10:	10.1	↖
Serie	95.0	
Total	95.0	

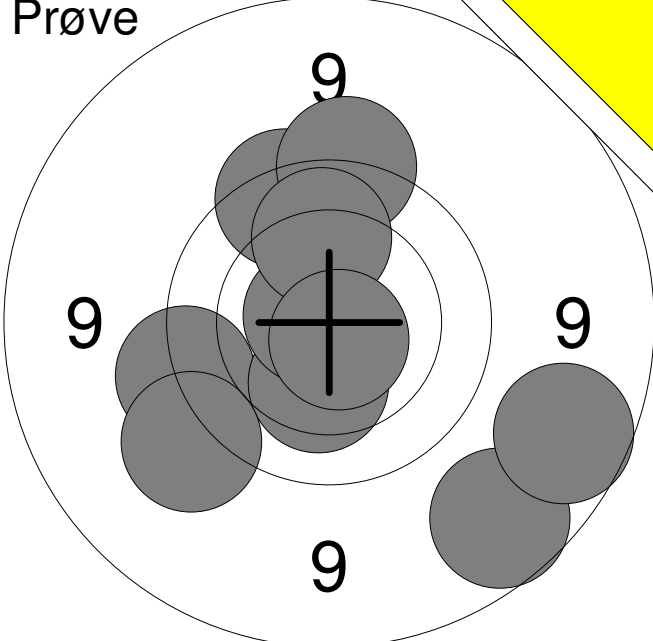


11:	9.9	↗
12:	10.5x	←
13:	10.9x	←
14:	10.2	→
15:	9.9	↗
16:	10.3	↗
17:	10.0	↑
18:	10.2	→
19:	10.3	↖
20:	9.9	↓
Serie	97.0	
Total	192.0	

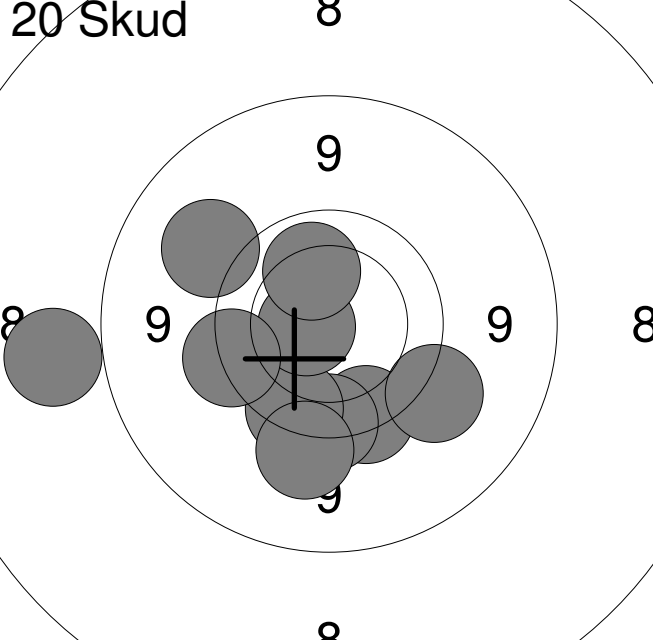
Hold 28	Skive 11	Anders Førby Lassen	
-------------------	--------------------	----------------------------	--

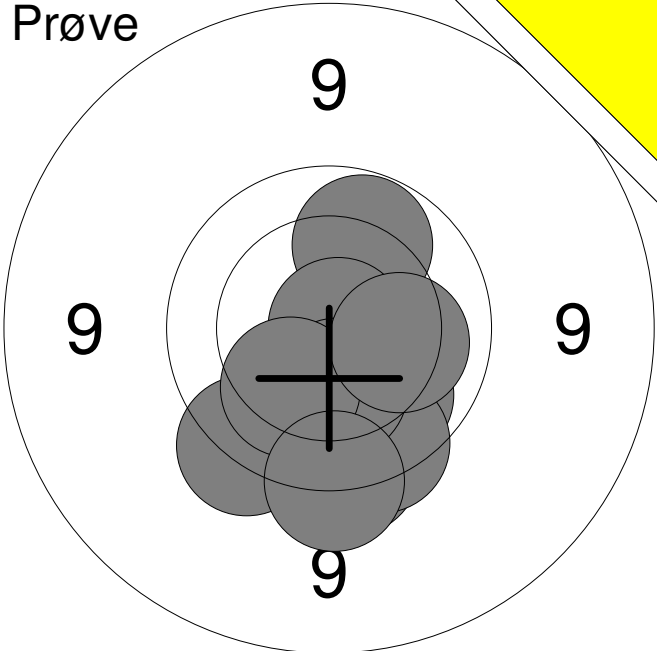
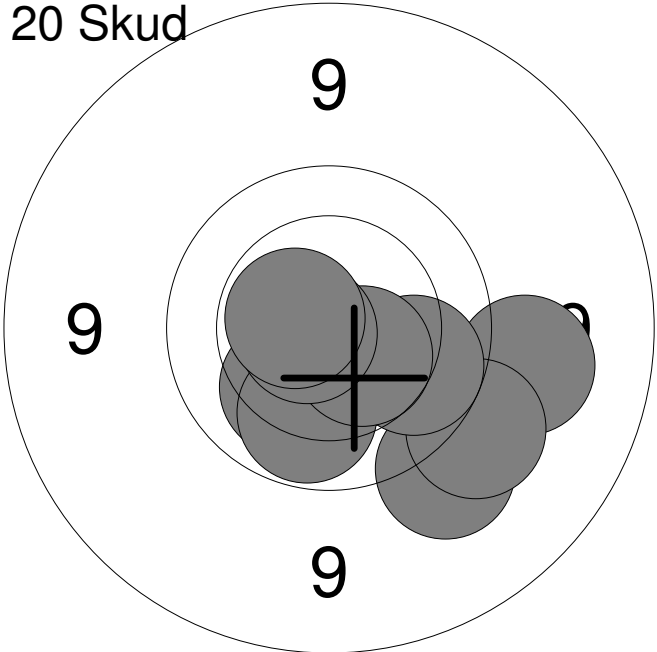
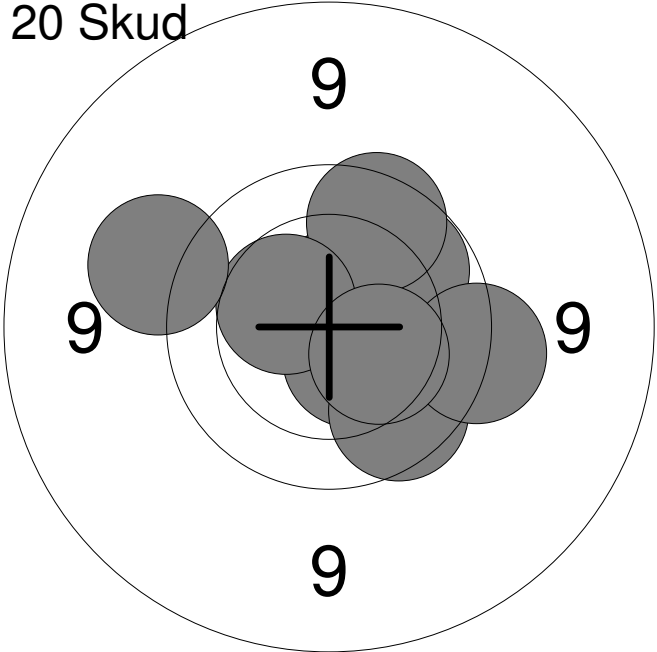
15m	St. Restrup Skf.	MB4
-----	------------------	-----

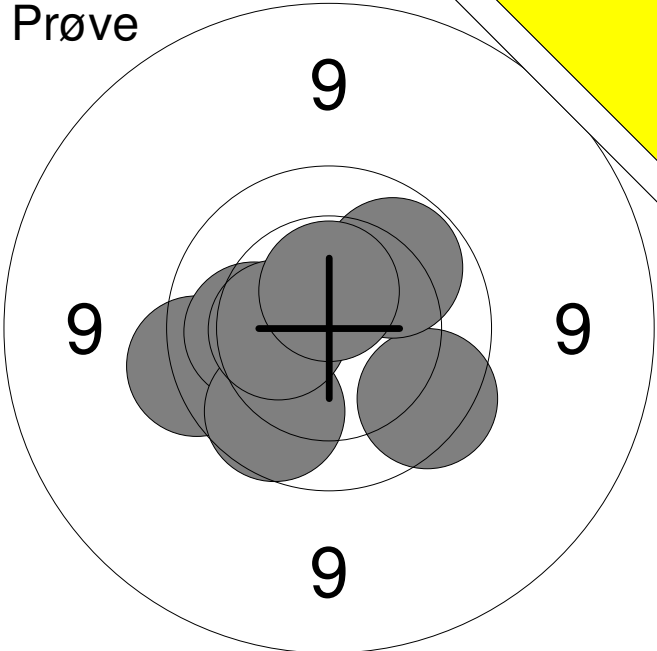
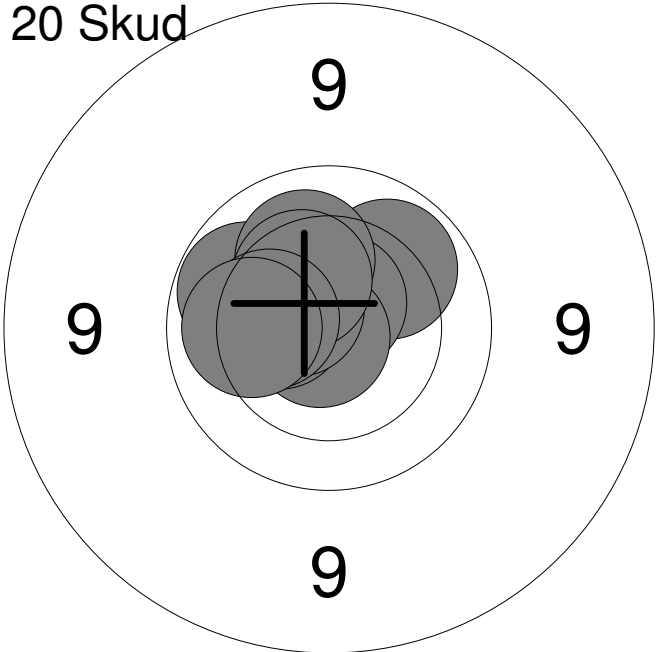
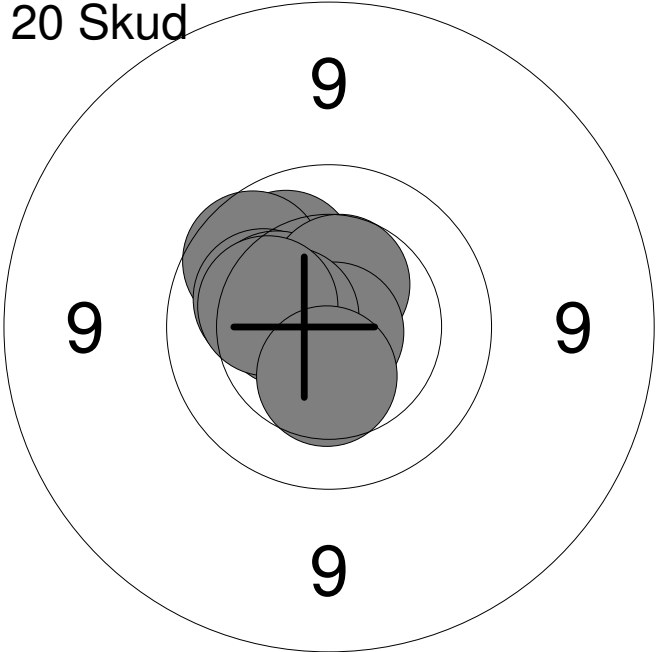
30.01.2015	Nordjysk mesterskab 2015	Aalborg Skyttekreds
------------	--------------------------	---------------------

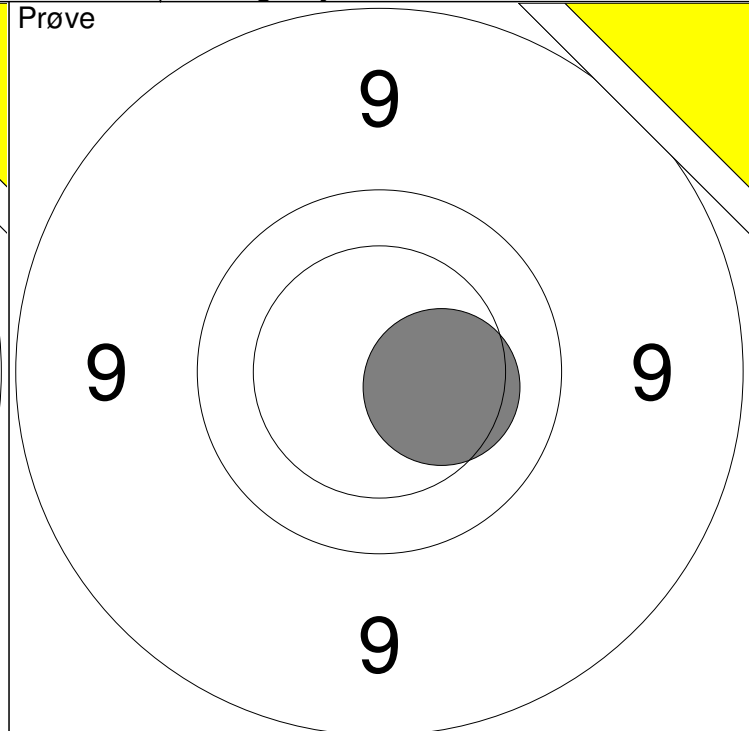
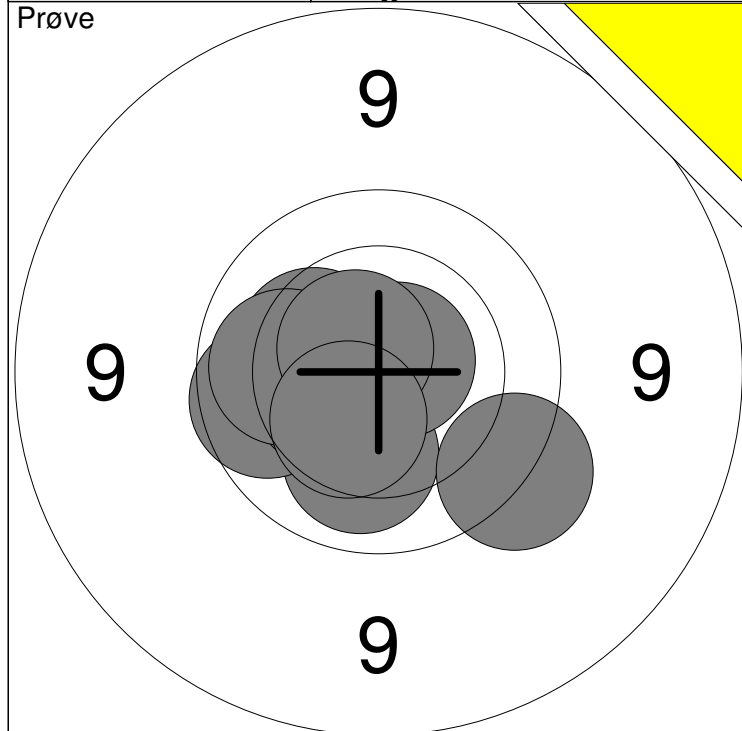
Prøve 	1:	8.9	↘
	2:	9.6	←
	3:	10.3	↘
	4:	8.9	→
	5:	9.4	←
	6:	10.8x	↗
	7:	9.7	↑
	8:	9.6	↑
	9:	10.0	↑
	10:	10.7x	↘
	Serie		
Total			0.0

20 Skud 	1:	9.3	←
	2:	9.2	←
	3:	9.1	↘
	4:	9.9	↗
	5:	10.2	↘
	6:	9.5	↗
	7:	9.3	←
	8:	9.3	↘
	9:	9.9	↗
	10:	10.3	←
	Serie		
Total			92.0

20 Skud 	11:	9.7	↘
	12:	9.7	↘
	13:	9.7	↘
	14:	10.6x	←
	15:	9.6	←
	16:	9.3	↗
	17:	9.4	↘
	18:	10.1	↗
	19:	9.4	↘
	20:	8.4	←
	Serie		
Total			183.0

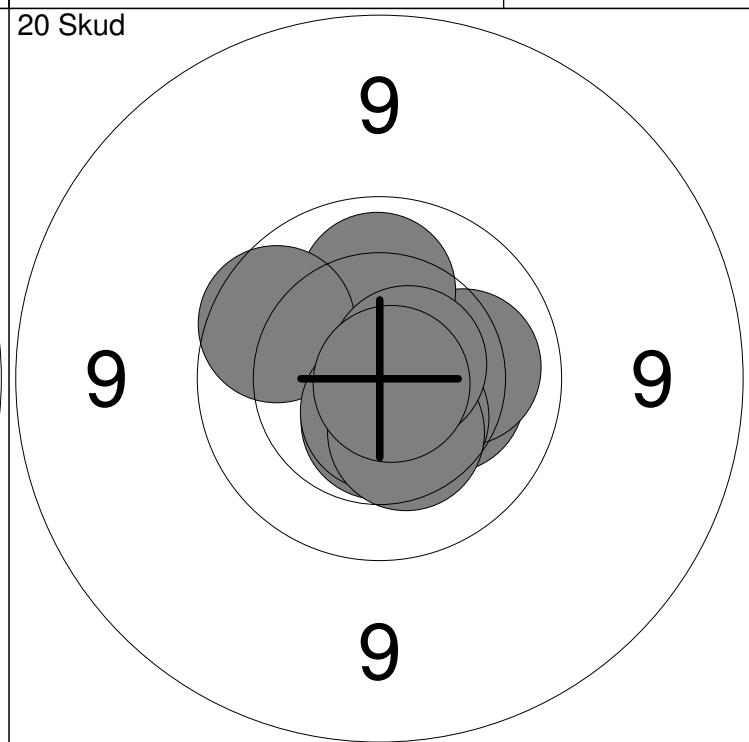
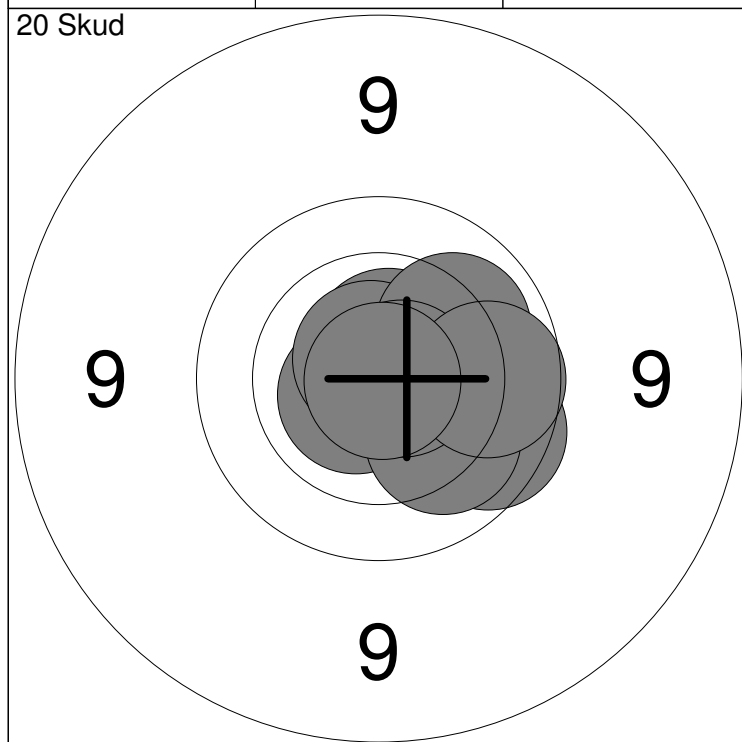
Hold 28	Skive 12	Jon Jensen	
15m	Mou & Omegns Skf.	MB3	
30.01.2015	Nordjysk mesterskab 2015	Aalborg Skyttekreds	
Prøve 	1:	9.6	↙
	2:	9.7	↓
	3:	10.0	↗
	4:	10.8x	→
	5:	10.0	↘
	6:	9.7	↘
	7:	10.3	↘
	8:	10.2	↙
	9:	10.2	→
	10:	9.6	↓
	Serie		96.0
Total		0.0	
20 Skud 	1:	9.4	↘
	2:	10.5x	↘
	3:	10.2	↘
	4:	9.3	→
	5:	10.0	↘
	6:	9.4	↘
	7:	10.0	→
	8:	10.5	↘
	9:	10.7x	←
	10:	10.6x	←
	Serie		97.0
Total		97.0	
20 Skud 	11:	10.5x	↘
	12:	10.6x	→
	13:	9.8	↘
	14:	10.6x	↗
	15:	10.0	↗
	16:	9.8	↗
	17:	10.4	↗
	18:	9.6	→
	19:	10.3	↘
	20:	9.4	←
	Serie		96.0
Total		193.0	

Hold	Skive	Linette Koch	
29	1	15m	Vadum Skf. BK1
30.01.2015	Nordjysk mesterskab 2015	Aalborg Skyttekreds	
Prøve		1: 9.7 ←	
		2: 10.1 ←	
		3: 9.8 ↘	
		4: 9.9 ↘	
		5: 10.0 ↗	
		6: 10.4 ←	
		7: 10.5x ↑	
	Serie	67.0	
	Total	0.0	
20 Skud		1: 10.1 ↗	
		2: 10.0 ←	
		3: 10.7x ↑	
		4: 10.8x ↘	
		5: 10.2 ↑	
		6: 10.4 ←	
		7: 10.5x ↗	
		8: 10.4 ↗	
		9: 10.3 ←	
		10: 10.1 ←	
	Serie	100.0	
	Total	100.0	
20 Skud		11: 10.1 ↗	
		12: 10.9x ↑	
		13: 9.9 ↗	
		14: 10.2 ↗	
		15: 10.3 ↗	
		16: 10.5 ↑	
		17: 10.9x ↘	
		18: 10.5x ←	
		19: 10.2 ←	
		20: 10.4 ↓	
	Serie	99.0	
	Total	199.0	



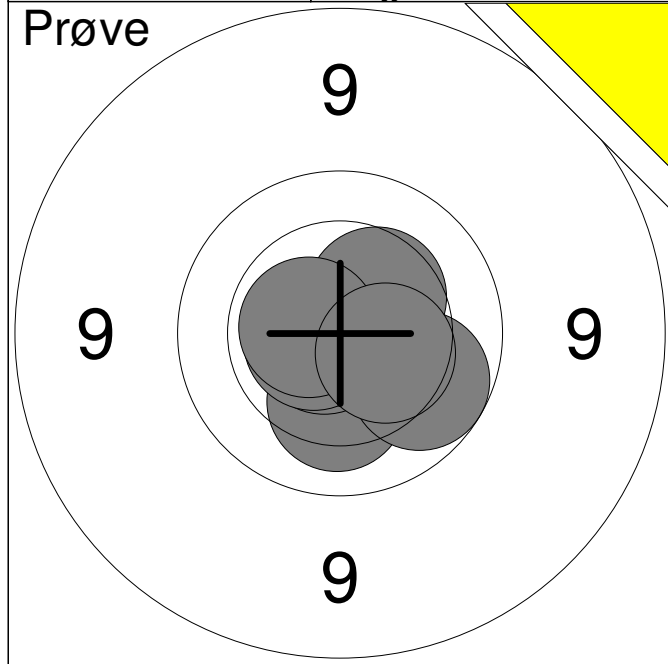
1: 10.1 ↓	6: 10.1 ←	Serie	98
2: 10.7x ↗	7: 9.6 ↓		
3: 10.3 ↖	8: 10.7x ↗	Total	0
4: 9.9 ←	9: 10.6x ↗		
5: 10.4 ↖	10: 10.4 ↓		

11: 10.3 →		Serie	10
		Total	0

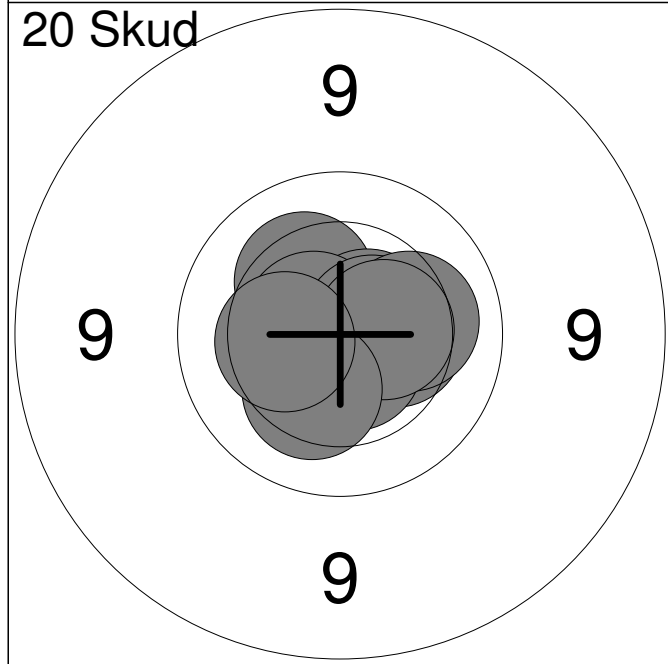


1: 10.7x ↖	6: 10.1 ↓	Serie	98
2: 10.6x ↑	7: 10.1 ↗		
3: 9.9 ↘	8: 10.7x →	Total	98
4: 10.4 →	9: 9.9 →		
5: 10.7x ↗	10: 10.9x ↘		

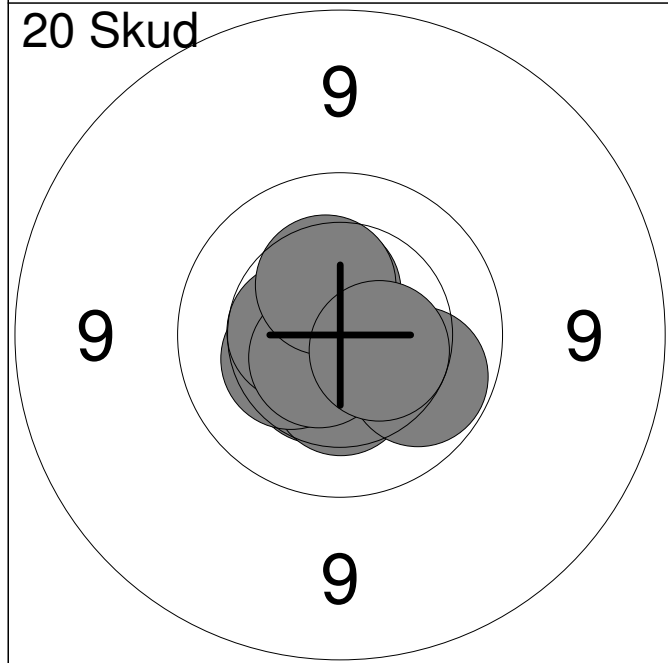
11: 10.3 →	16: 9.9 ↖	Serie	99
12: 10.1 →	17: 10.6x ↓		
13: 10.5x ↓	18: 10.4 ↓	Total	197
14: 10.1 ↑	19: 10.6x ↗		
15: 10.5 ↘	20: 10.8x ↘		



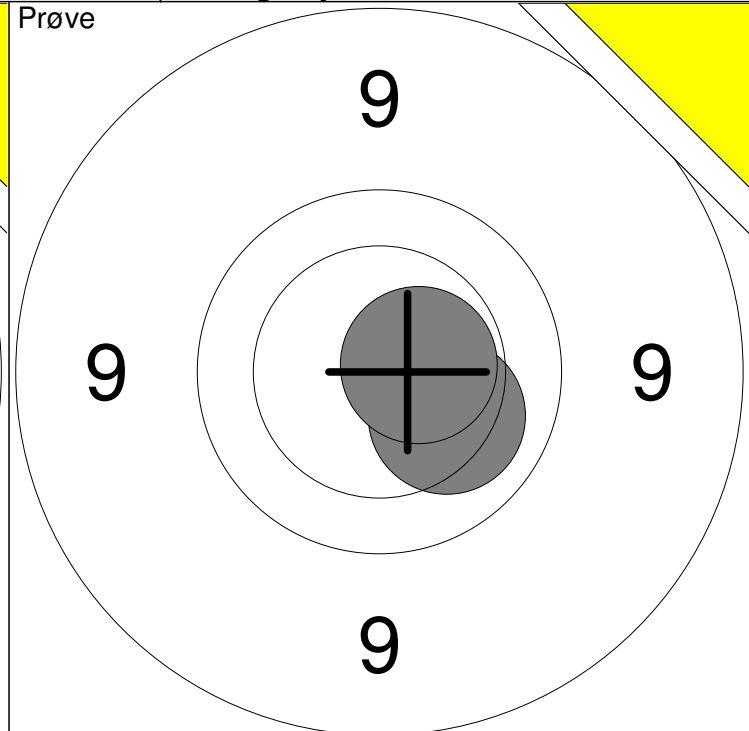
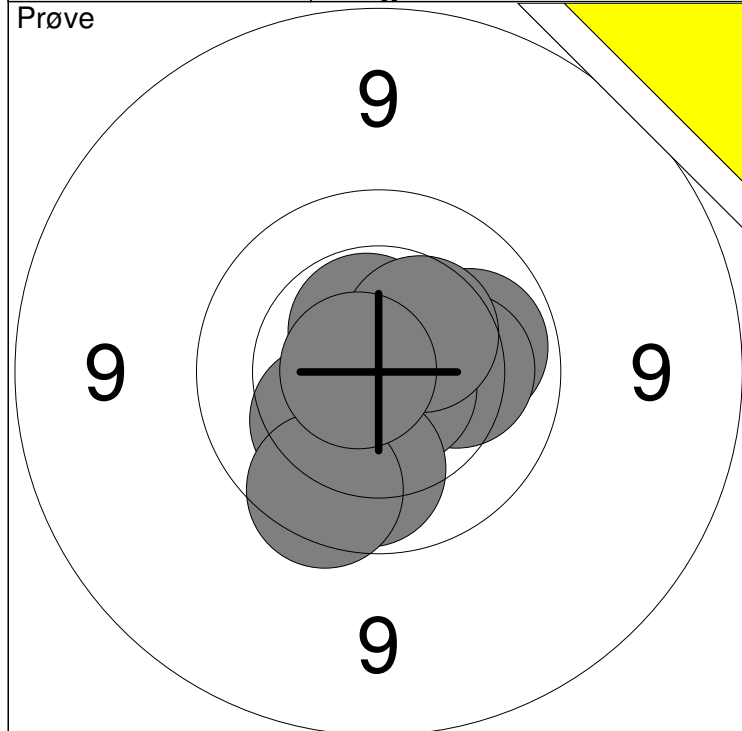
1:	10.2	↓
2:	10.4	↗
3:	10.7x	↖
4:	10.7x	←
5:	10.0	↘
6:	10.6x	←
7:	10.4	↘
Serie		70.0
Total		0.0



1:	10.3	↗
2:	10.6x	↗
3:	10.6x	↗
4:	10.4	→
5:	10.6x	↓
6:	10.6x	→
7:	10.2	→
8:	10.5	→
9:	10.3	↓
10:	10.4	←
Serie		100.0
Total		100.0

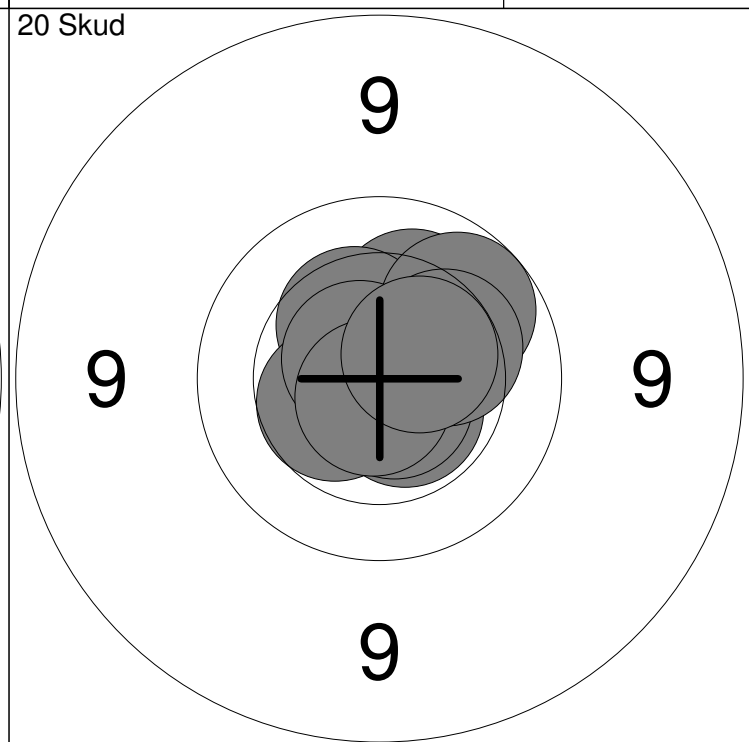
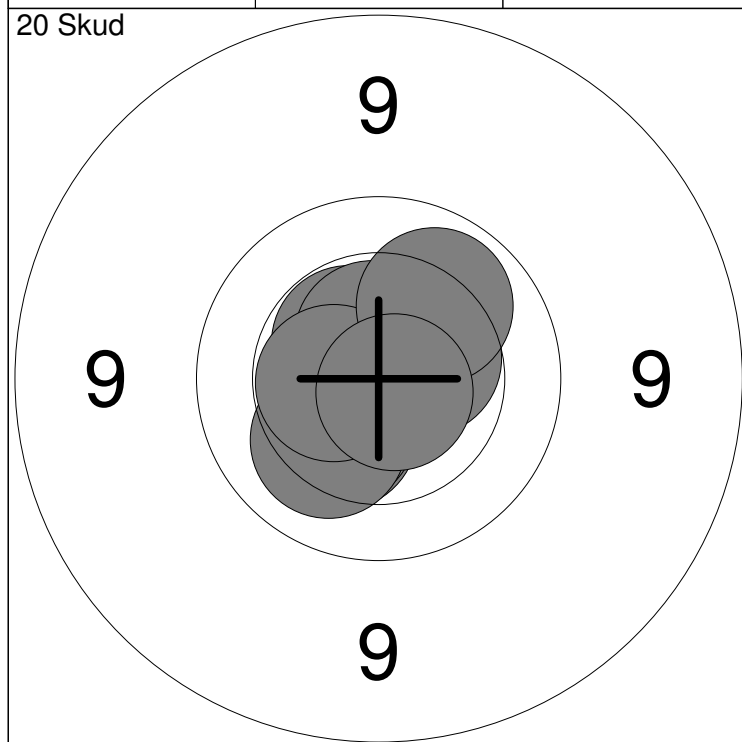


11:	10.5	↖
12:	10.5x	↓
13:	10.4	↓
14:	10.5	↑
15:	10.4	↖
16:	10.5	←
17:	10.6x	↖
18:	10.4	↑
19:	10.0	↘
20:	10.5	↘
Serie		100.0
Total		200.0



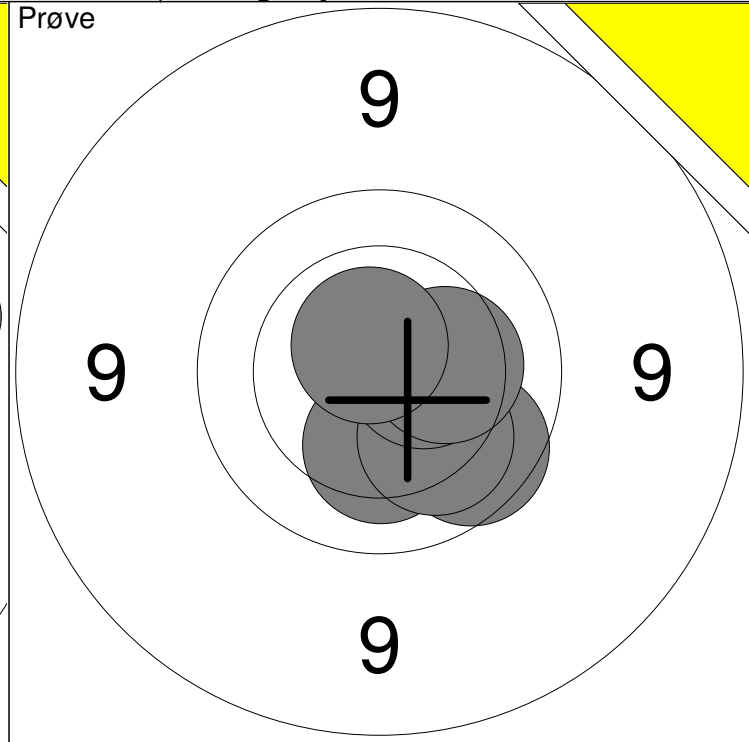
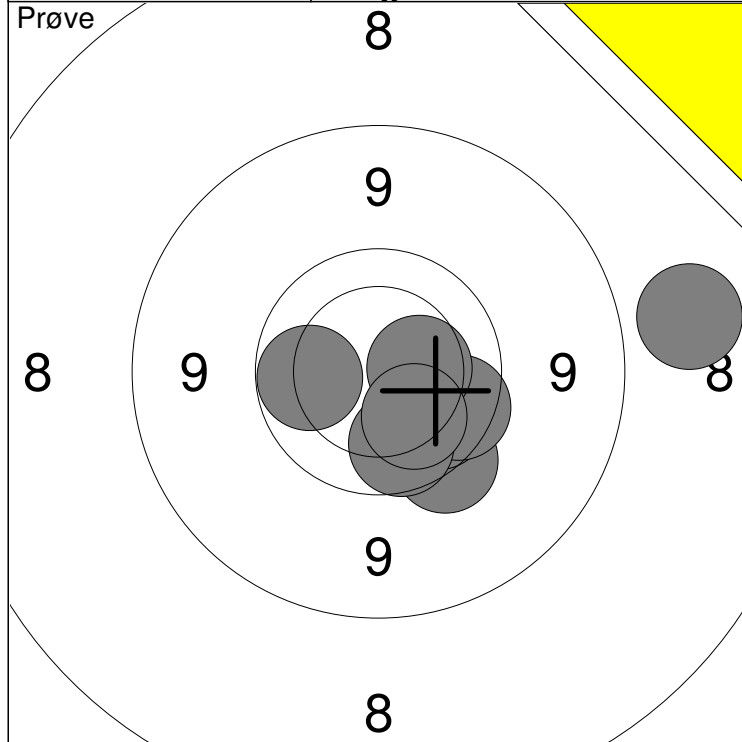
1: 10.0 →	6: 10.5x ↗	Serie	99
2: 10.3 ↙	7: 10.0 ↓		
3: 10.2 →	8: 10.4 ↗	Total	0
4: 10.6x ↗	9: 9.8 ↓		
5: 10.7x ↘	10: 10.7x ←		

11: 10.2 ↘	Serie	20
12: 10.6x →		
Total		0



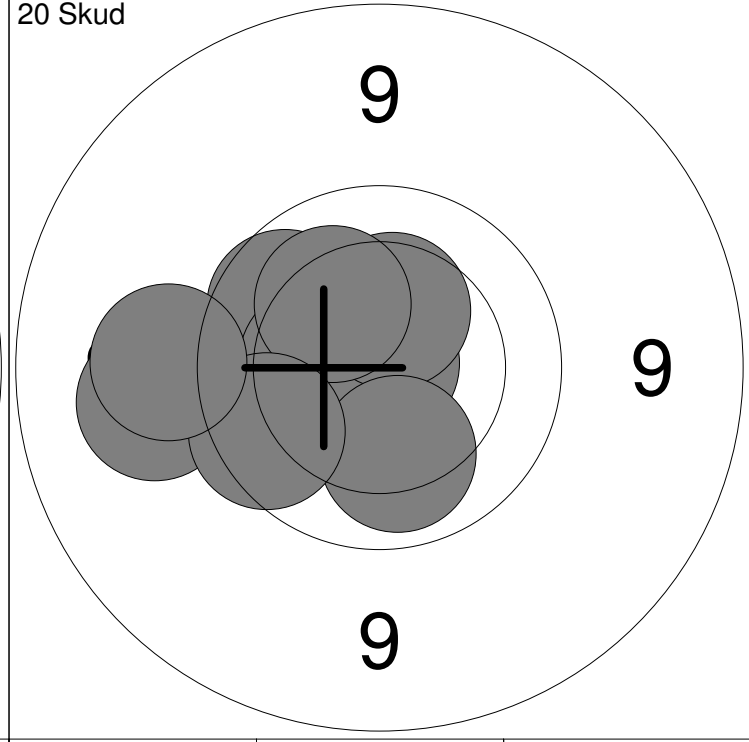
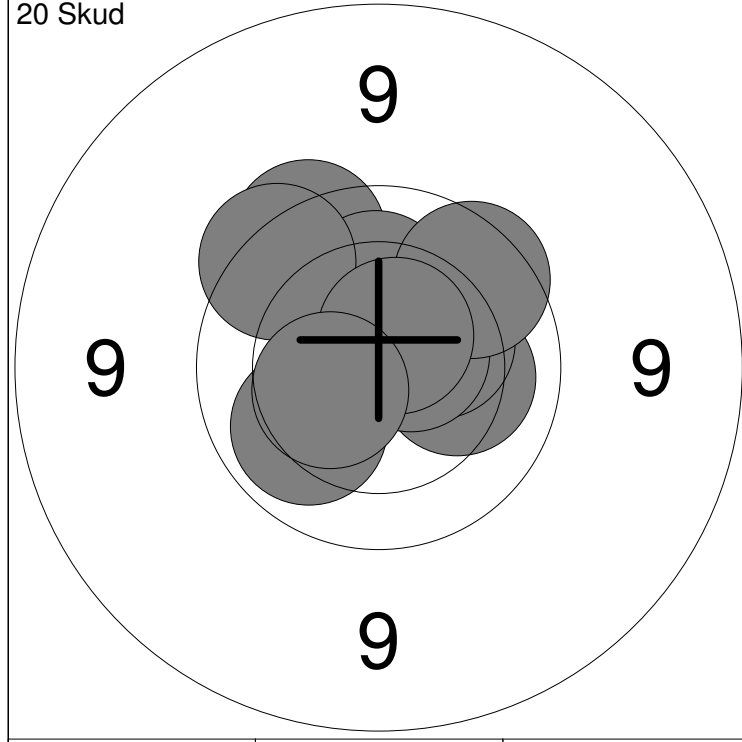
1: 10.6x ↗	6: 10.5 →	Serie	100
2: 10.5x ↖	7: 10.6x ↗		
3: 10.3 ↙	8: 10.5x ←	Total	100
4: 10.3 ↙	9: 10.1 ↗		
5: 10.2 ↙	10: 10.8x ↘		

11: 10.2 ↗	16: 9.9 ↗	Serie	99
12: 10.6x ↘	17: 10.7x ↖		
13: 10.4 ↗	18: 10.8x ↓	Total	199
14: 10.7x ↘	19: 10.3 →		
15: 10.5 ↙	20: 10.5x ↗		



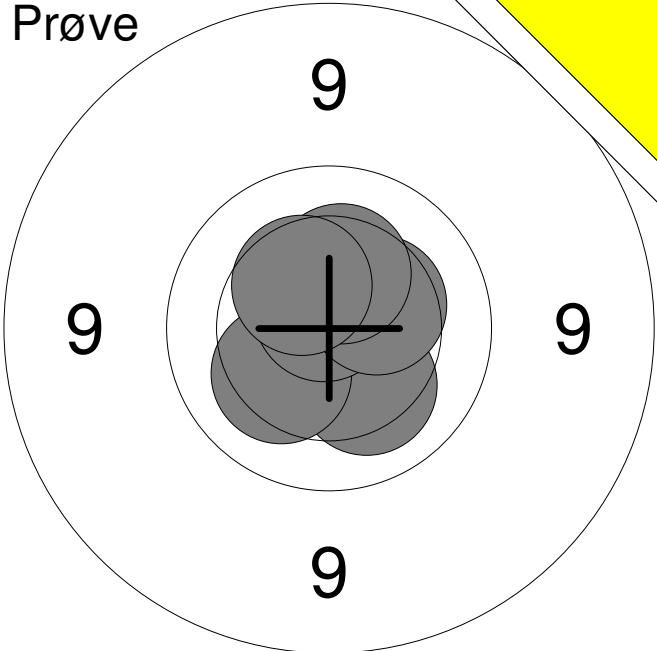
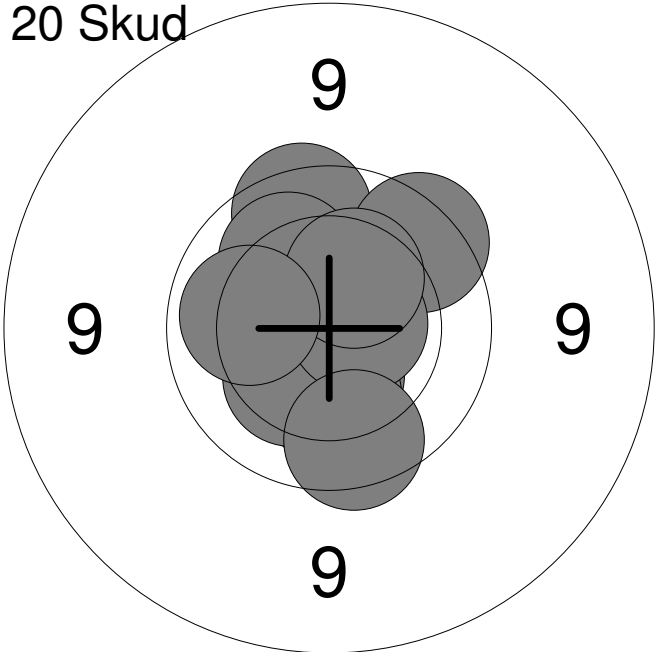
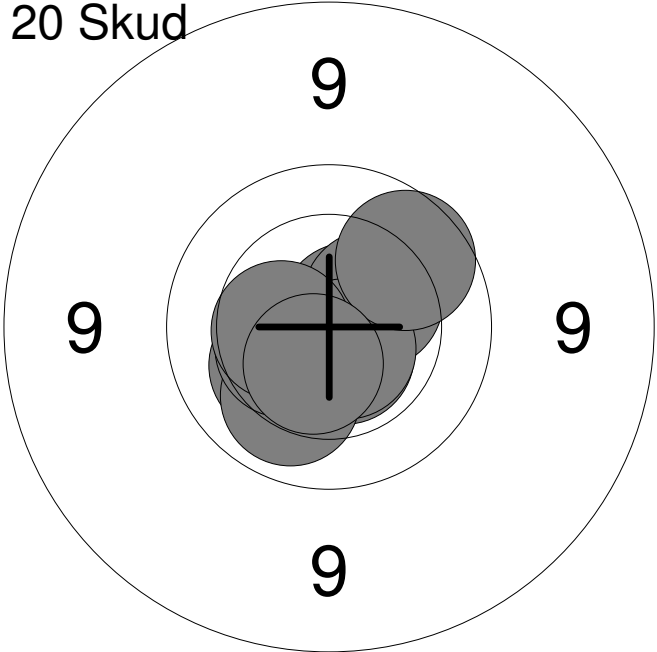
1: 9.9 ↘	6: 9.8 →	Serie 92
2: 9.9 ↘	7: 9.9 ↘	
3: 9.6 ↘	8: 10.0 ←	Total 0
4: 8.3 →	9: 10.4 →	
5: 9.9 ↘	10: 10.1 ↘	

11: 10.2 ↓	16: 10.7x ↗	Serie 59
12: 9.9 ↘		
13: 10.1 ↘		Total 0
14: 10.5x →		
15: 10.3 →		



1: 10.2 →	6: 9.7 ↗	Serie 97
2: 10.3 →	7: 9.8 ↗	
3: 9.7 ↗	8: 10.6x ↗	Total 97
4: 10.6x →	9: 10.1 ↘	
5: 10.2 ↑	10: 10.4 ↙	

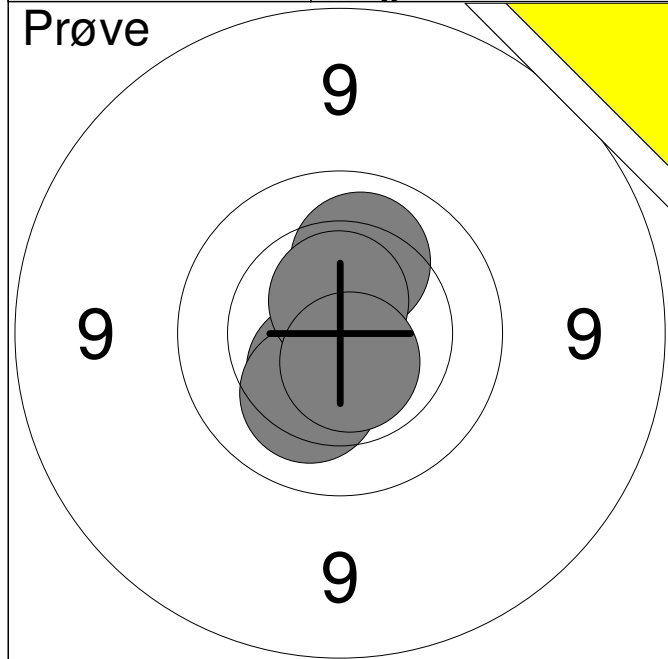
11: 9.3 ←	16: 10.4 ↗	Serie 96
12: 9.9 ↗	17: 10.1 ↓	
13: 10.6x ↗	18: 10.2 ↗	Total 193
14: 10.3 ←	19: 9.8 ↙	
15: 10.9x ↗	20: 9.4 ←	

Hold 29	Skive 6	Tobias E. Sørensen	
15m	Vester Hassing Skf.	MJ2	
30.01.2015	Nordjysk mesterskab 2015	Aalborg Skyttekreds	
Prøve		1: 10.2	↘
		2: 10.2	↙
		3: 10.8x	↑
		4: 10.4	→
		5: 10.3	↑
		6: 10.4	↖
	Serie	60.0	
	Total	0.0	
20 Skud		1: 9.8	↑
		2: 9.8	↗
		3: 10.1	↖
		4: 10.4	↓
		5: 10.2	↓
		6: 10.3	↙
		7: 10.6x	→
		8: 9.8	↓
		9: 10.3	↗
		10: 10.1	←
	Serie	97.0	
	Total	97.0	
20 Skud		11: 10.7x	↗
		12: 10.3	↙
		13: 10.4	↗
		14: 10.6x	↓
		15: 10.6x	↓
		16: 9.9	↗
		17: 10.1	↙
		18: 10.4	↙
		19: 10.4	←
		20: 10.5x	↓
	Serie	99.0	
	Total	196.0	

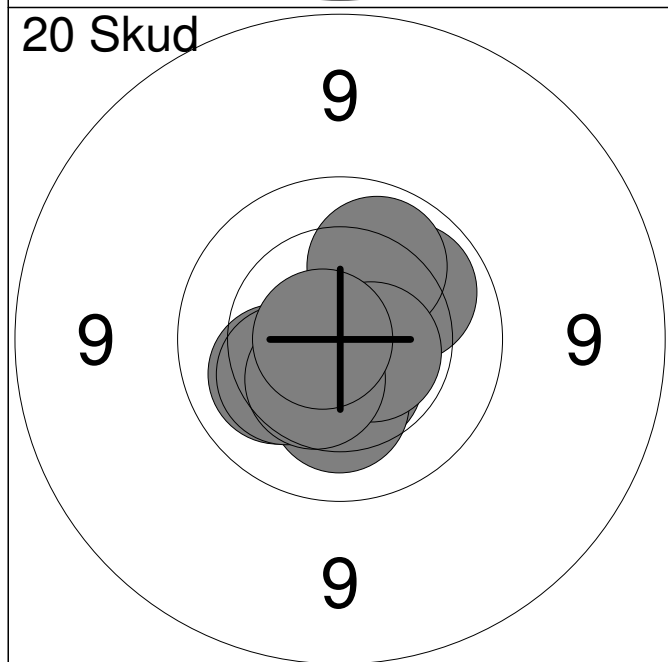
Hold 29	Skive 7	Emil L. Nielsen	
-------------------	-------------------	------------------------	--

15m	Vester Hassing Skf.	MJ1
-----	---------------------	-----

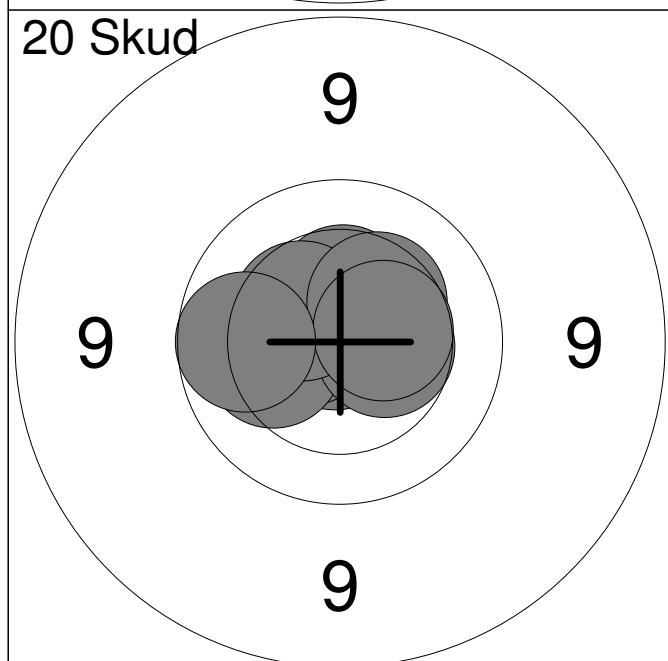
30.01.2015	Nordjysk mesterskab 2015	Aalborg Skyttekreds
------------	--------------------------	---------------------



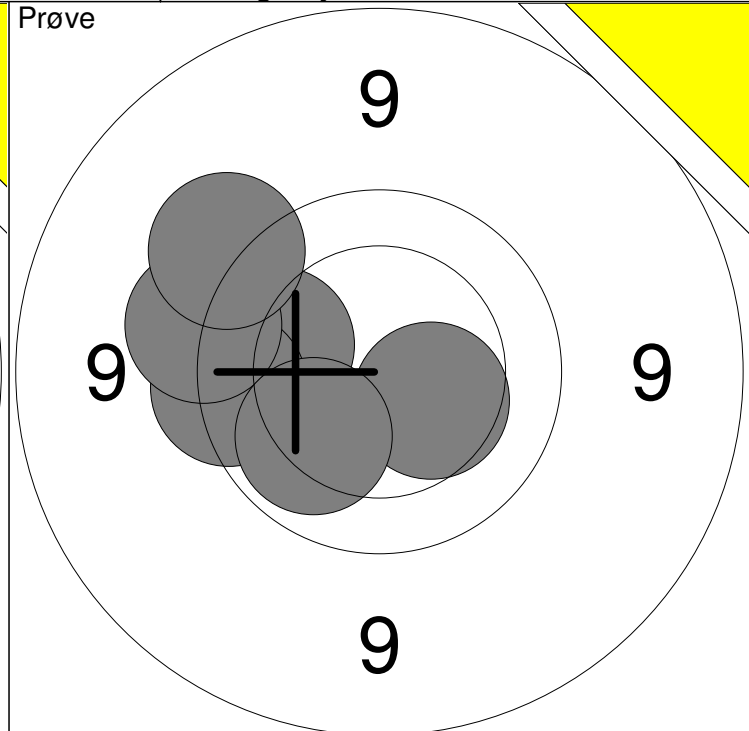
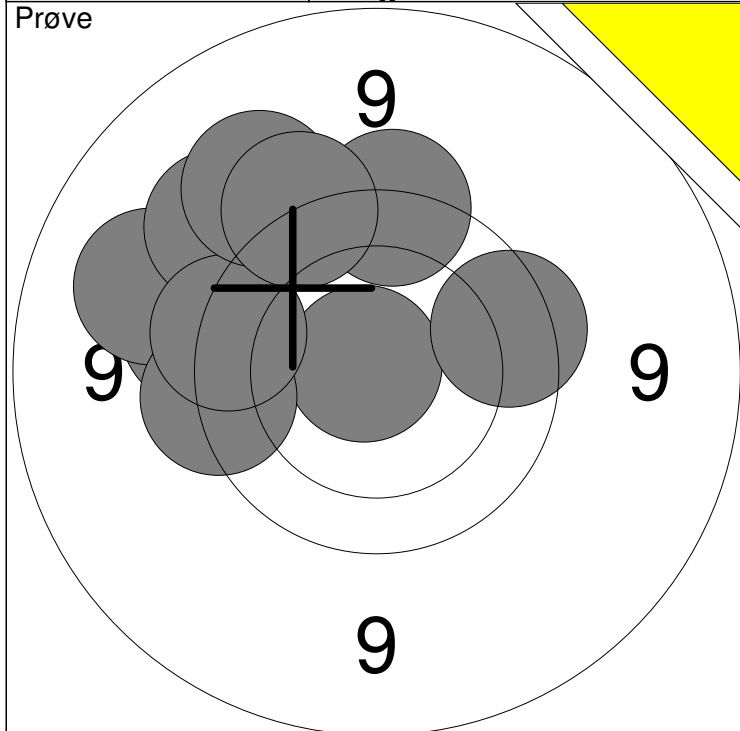
1:	10.2	↑
2:	10.3	↓
3:	10.5	↓
4:	10.2	↓
5:	10.6x	↑
6:	10.6x	↓
Serie		60.0
Total		0.0



1:	10.1	↗
2:	10.1	↑
3:	10.7x	↓
4:	10.5x	↓
5:	10.3	↓
6:	10.6x	→
7:	10.2	←
8:	10.3	←
9:	10.4	↓
10:	10.8x	←
Serie		100.0
Total		100.0

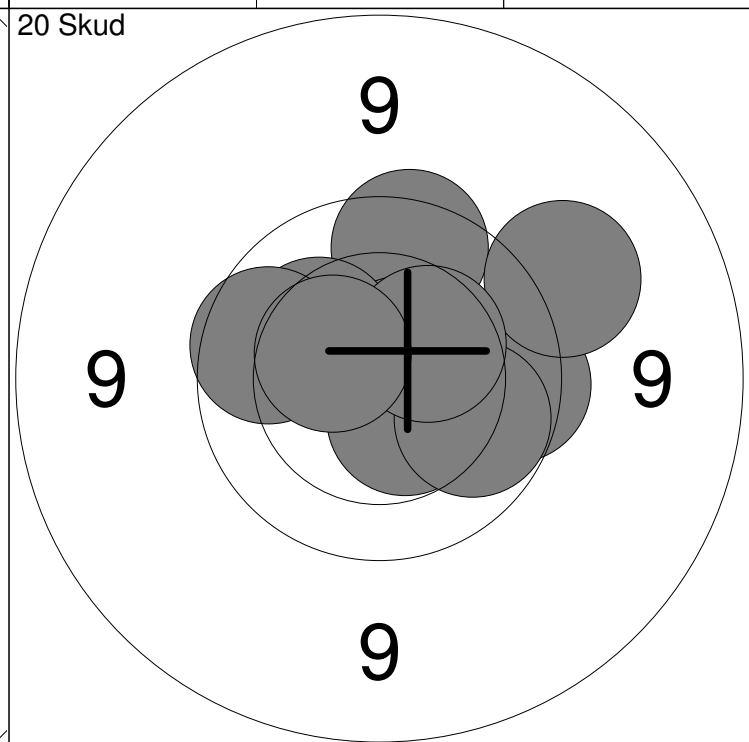
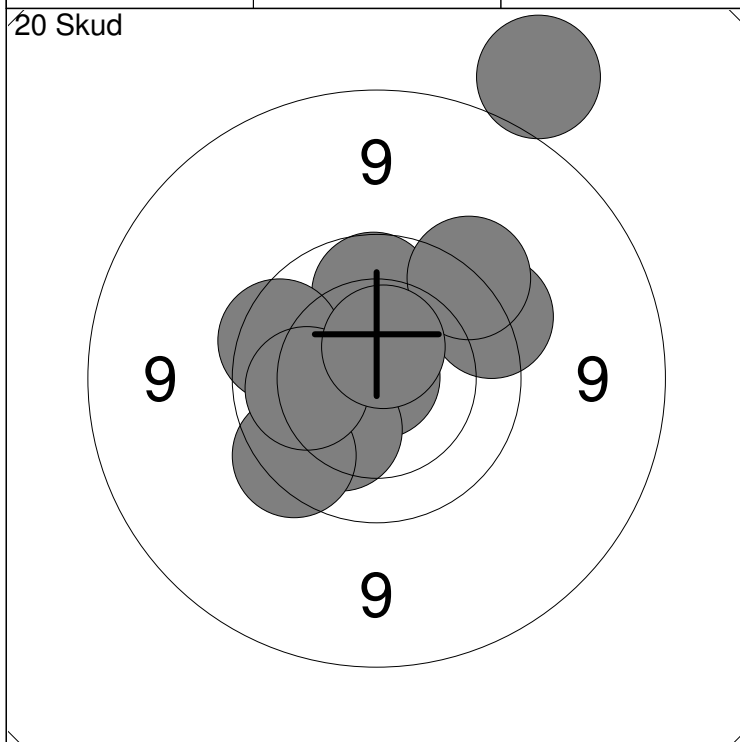


11:	10.9x	←
12:	10.5	↑
13:	10.6x	←
14:	10.2	←
15:	10.5	→
16:	10.4	↑
17:	10.4	↖
18:	10.4	↗
19:	10.5	→
20:	9.9	←
Serie		99.0
Total		199.0



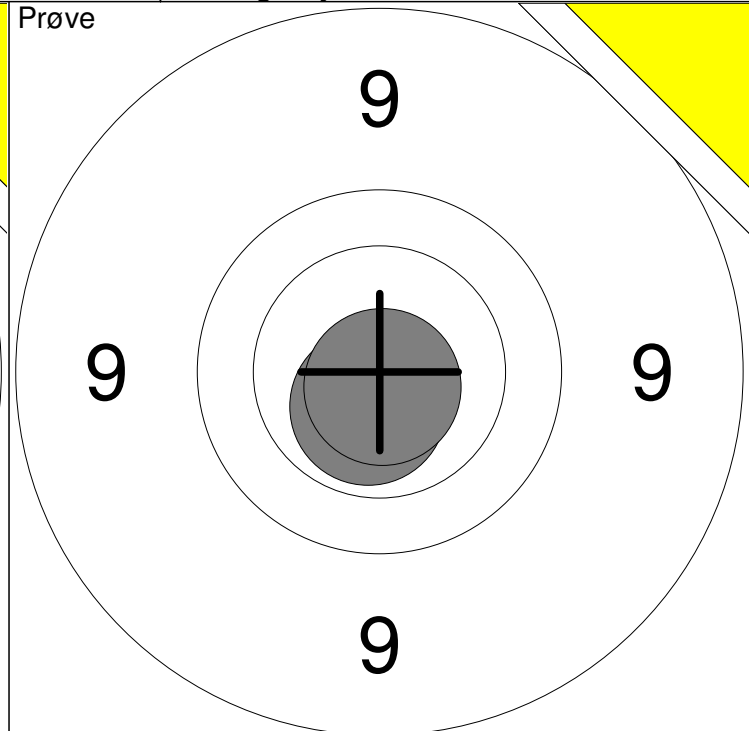
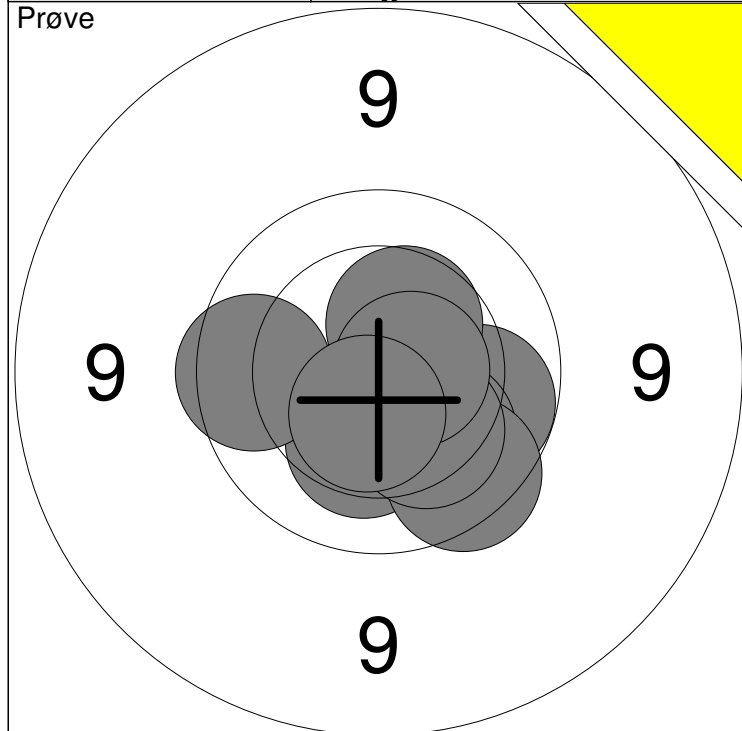
1: 9.5 ←	6: 9.7 ←	Serie	91
2: 10.8x ↗	7: 9.6 ↑		
3: 9.2 ←	8: 9.3 ↗	Total	0
4: 9.6 ←	9: 9.5 ↗		
5: 9.4 ↗	10: 9.8 →		

11: 10.4 →	16: 10.1 ↙	Serie	56
12: 9.9 ←	13: 9.7 ←		
14: 9.5 ←	15: 9.5 ↗	Total	0



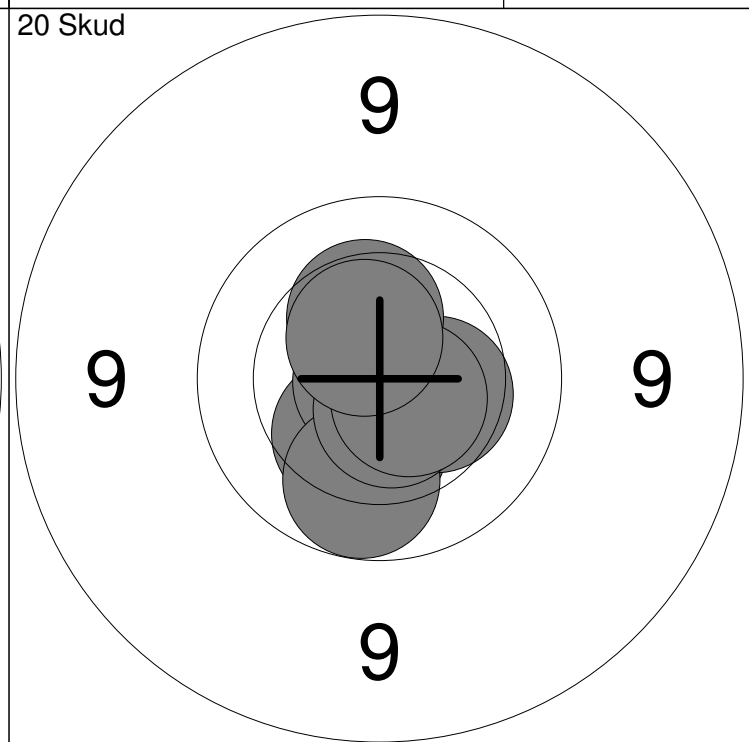
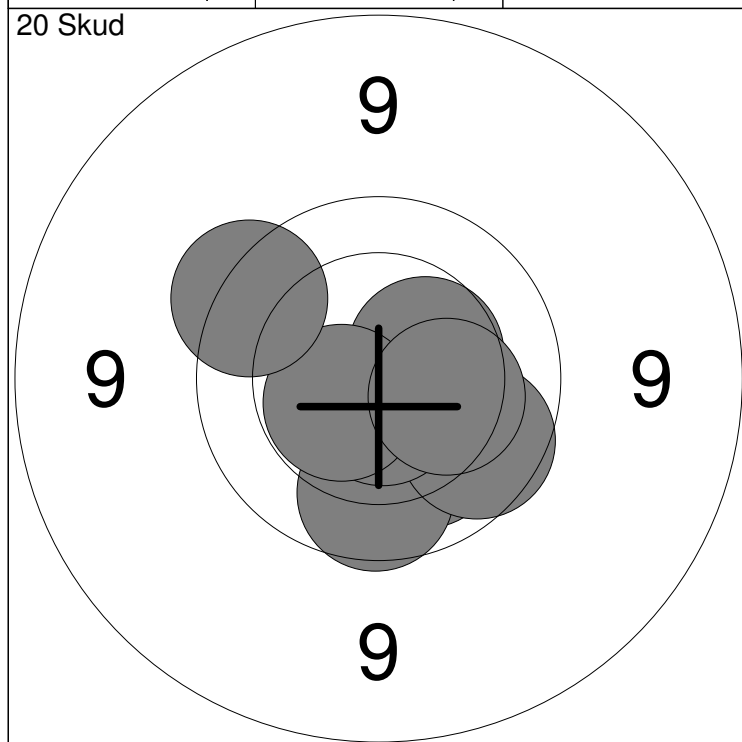
1: 10.9x ↗	6: 10.2 ↙	Serie	93
2: 8.4 ↑	7: 9.6 ↗		
3: 9.9 ↑	8: 9.7 ↙	Total	93
4: 9.8 ←	9: 10.1 ←		
5: 9.6 ↗	10: 10.6x ↑		

11: 9.8 ↑	16: 9.4 ↗	Serie	96
12: 10.6x ↗	17: 9.9 ←		
13: 10.5x ↘	18: 10.0 →	Total	189
14: 10.2 ←	19: 10.4 ↗		
15: 9.8 →	20: 10.4 ←		



1: 10.0 →	6: 9.8 ↓	Serie	98
2: 10.1 ↓	7: 9.8 ←		
3: 10.2 ↓	8: 10.2 ↓	Total	0
4: 10.4 ↗	9: 10.6x →		
5: 10.3 ↓	10: 10.5x ↓		

11: 10.6x ↓	Serie	20
12: 10.8x ↓		
Total		0



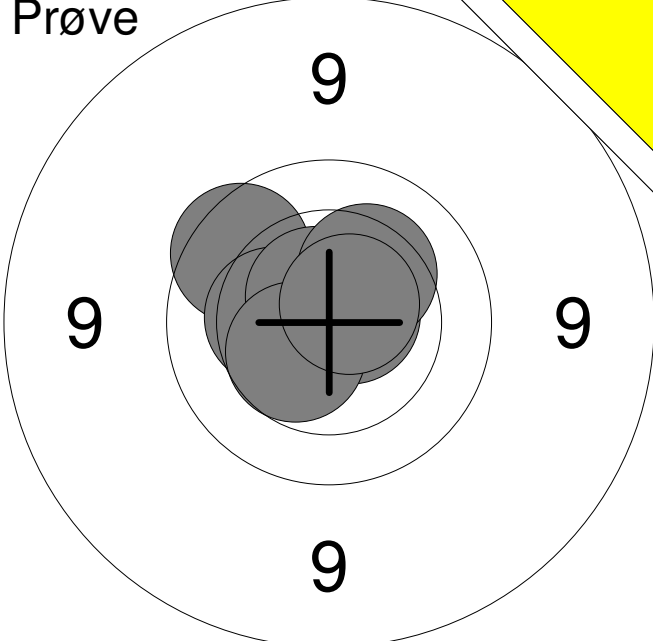
1: 10.1 ↓	6: 10.7x ↓	Serie	97
2: 10.5 ↓	7: 10.4 →		
3: 10.1 ↓	8: 10.5x ←	Total	97
4: 9.9 ↓	9: 10.3 →		
5: 9.9 ↓	10: 9.7 ↗		

11: 10.3 ↓	16: 10.0 ↓	Serie	100
12: 10.8x →	17: 10.6x ↓		
13: 10.4 →	18: 10.3 ↗	Total	197
14: 10.3 ↓	19: 10.6x ↓		
15: 10.9x ←	20: 10.5x ↗		

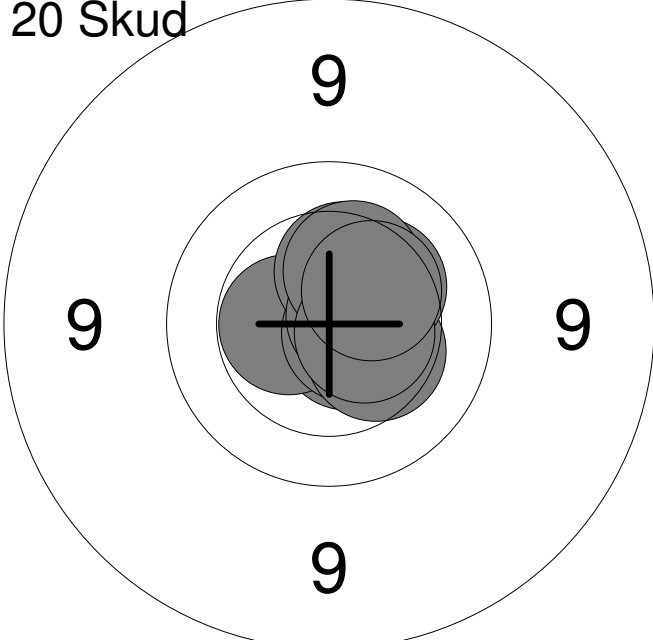
Hold 29	Skive 10	Lucas Heby Pedersen	
-------------------	--------------------	----------------------------	--

15m	Aalborg Skyttekreds	BK1	
-----	---------------------	-----	--

30.01.2015	Nordjysk mesterskab 2015	Aalborg Skyttekreds	
------------	--------------------------	---------------------	--

Prøve 	1:	9.8	↗
	2:	10.4	←
	3:	10.7x	→
	4:	10.6x	↗
	5:	10.3	↗
	6:	10.5	↙
	7:	10.7x	↗
	Serie		69.0
Total		0.0	

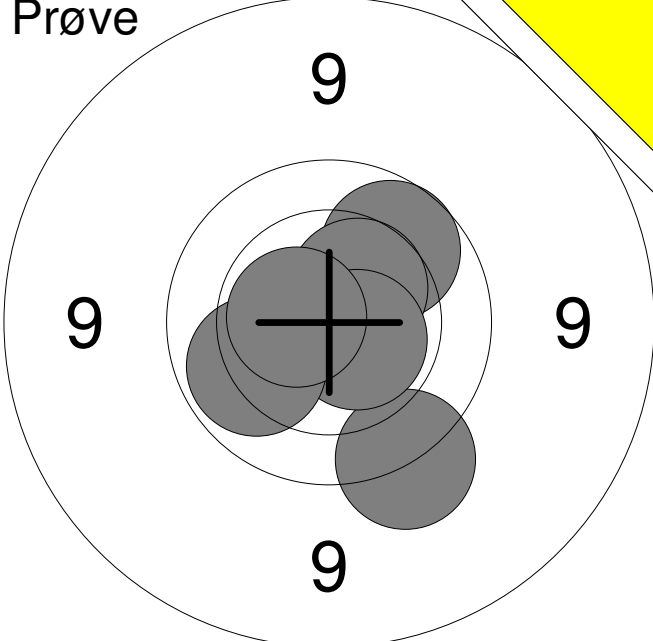
20 Skud 	1:	10.1	↑
	2:	10.9x	↓
	3:	10.6x	↗
	4:	10.7x	→
	5:	10.7x	→
	6:	10.5	←
	7:	10.1	↙
	8:	10.3	↑
	9:	10.4	→
	10:	10.5	↓
	Serie		100.0
Total		100.0	

20 Skud 	11:	10.7x	↘
	12:	10.5x	←
	13:	10.7x	→
	14:	10.4	↘
	15:	10.4	↑
	16:	10.6x	→
	17:	10.3	↗
	18:	10.3	↑
	19:	10.6x	→
	20:	10.4	↗
	Serie		100.0
Total		200.0	

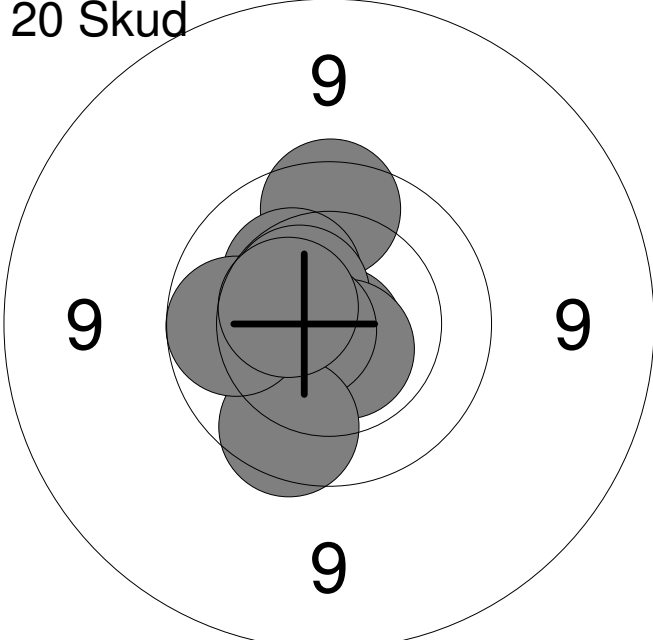
Hold 29	Skive 11	Christian Nedergaard	
-------------------	--------------------	-----------------------------	--

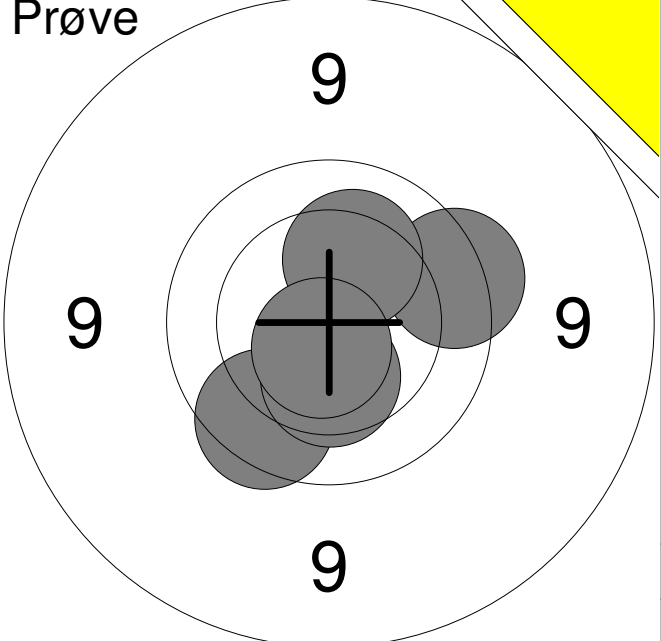
15m	Skf. Kimbrene	MJ2
-----	---------------	-----

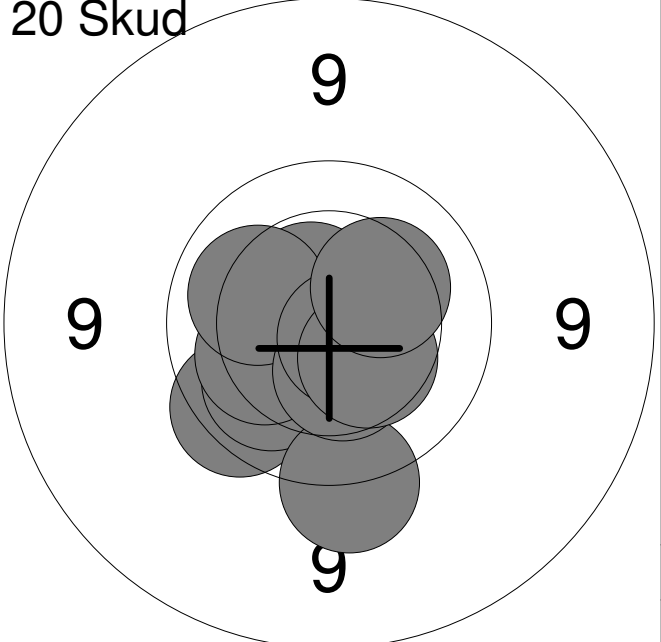
30.01.2015	Nordjysk mesterskab 2015	Aalborg Skyttekreds
------------	--------------------------	---------------------

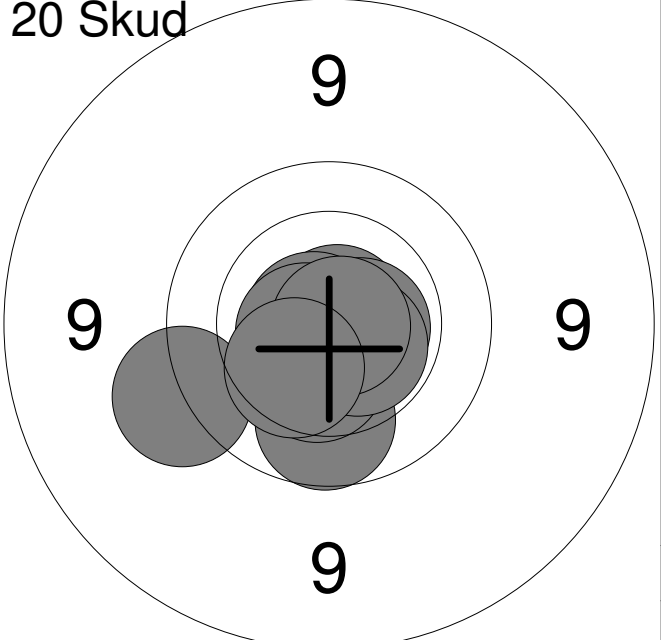
Prøve 	1: 9.9 ↗
	2: 10.5 ↗
	3: 9.6 ↓
	4: 10.6x ↘
	5: 10.0 ←
	6: 10.6x ←
Serie	58.0
Total	0.0

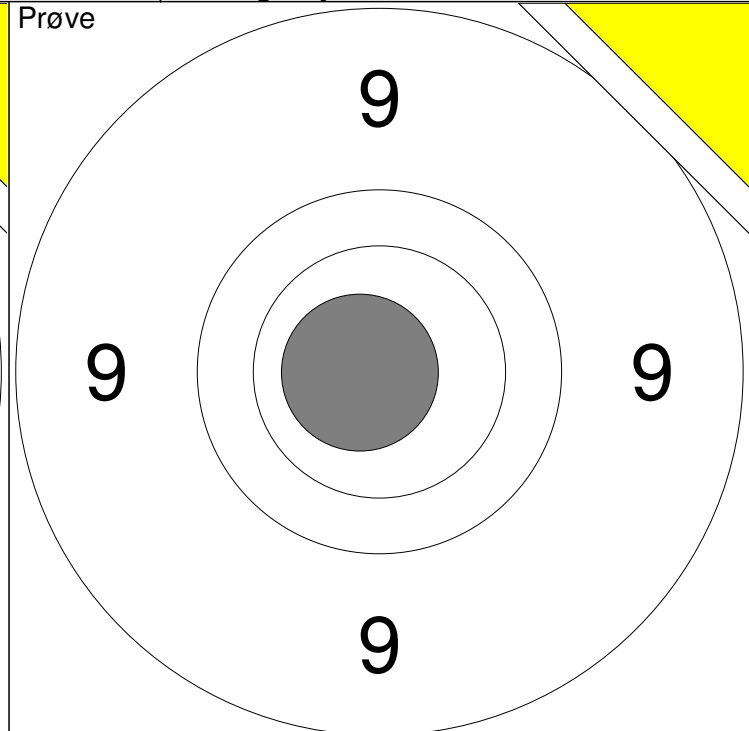
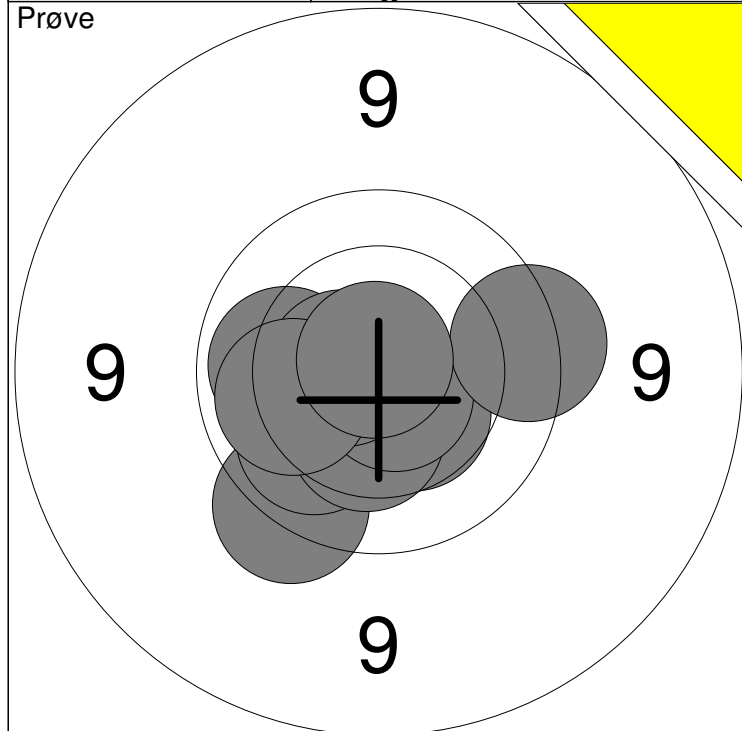
20 Skud 	1: 10.3 ↓
	2: 10.6x ↗
	3: 9.8 ↓
	4: 10.1 ↓
	5: 10.5x ↓
	6: 10.4 →
	7: 10.6x ↗
	8: 10.1 ←
	9: 9.7 ↘
	10: 10.0 ↑
Serie	98.0
Total	98.0

20 Skud 	11: 10.5x ←
	12: 10.8x ↓
	13: 9.8 ↑
	14: 10.3 ↗
	15: 10.5x ↗
	16: 10.6x ↓
	17: 10.7x ←
	18: 9.8 ↓
	19: 9.9 ←
	20: 10.5 ↘
Serie	97.0
Total	195.0

<p>Prøve</p> 	<table style="width:100%; border-collapse: collapse;"> <tr><td style="width:10%;">1:</td><td style="width:40%;">9.7</td><td style="width:50%; text-align: right;">→</td></tr> <tr><td>2:</td><td>9.8</td><td style="text-align: right;">↙</td></tr> <tr><td>3:</td><td>10.2</td><td style="text-align: right;">↑</td></tr> <tr><td>4:</td><td>10.4</td><td style="text-align: right;">↓</td></tr> <tr><td>5:</td><td>10.7x</td><td style="text-align: right;">↘</td></tr> </table>	1:	9.7	→	2:	9.8	↙	3:	10.2	↑	4:	10.4	↓	5:	10.7x	↘
1:	9.7	→														
2:	9.8	↙														
3:	10.2	↑														
4:	10.4	↓														
5:	10.7x	↘														
<table style="width:100%; border-collapse: collapse;"> <tr> <td style="width:45%;">Serie</td> <td style="width:55%; text-align: right;">48.0</td> </tr> <tr> <td>Total</td> <td style="text-align: right;">0.0</td> </tr> </table>		Serie	48.0	Total	0.0											
Serie	48.0															
Total	0.0															

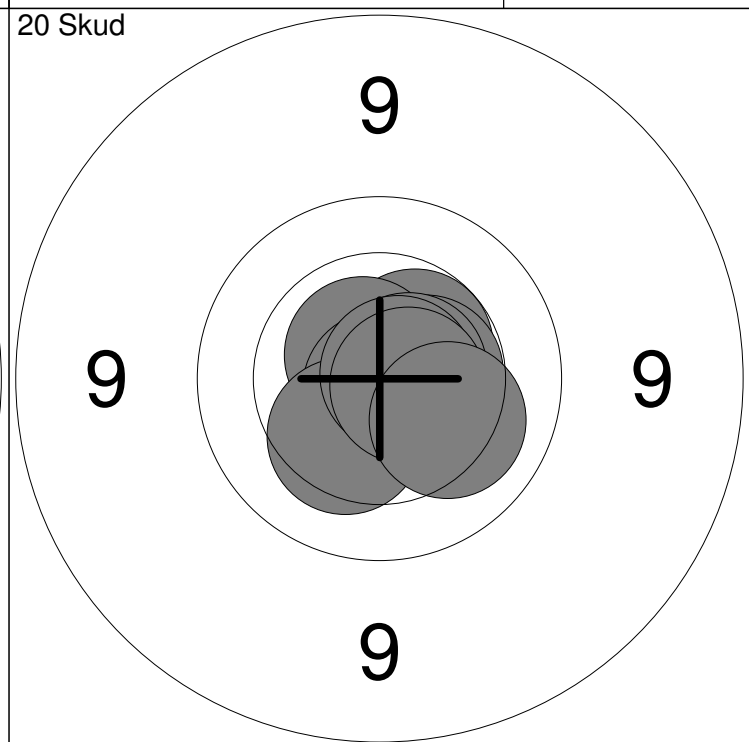
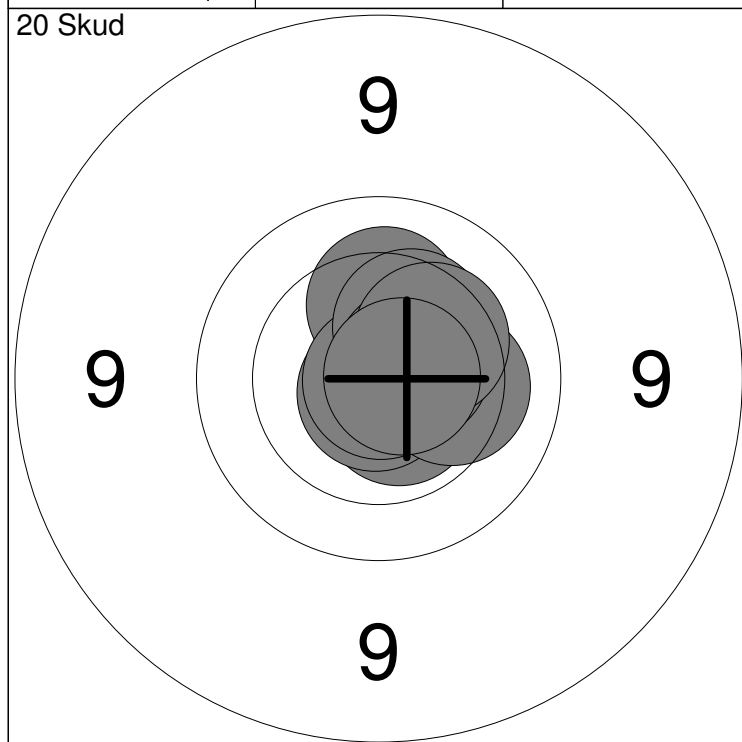
<p>20 Skud</p> 	<table style="width:100%; border-collapse: collapse;"> <tr><td style="width:10%;">1:</td><td style="width:40%;">9.8</td><td style="width:50%; text-align: right;">↙</td></tr> <tr><td>2:</td><td>10.1</td><td style="text-align: right;">↙</td></tr> <tr><td>3:</td><td>10.2</td><td style="text-align: right;">↙</td></tr> <tr><td>4:</td><td>10.6x</td><td style="text-align: right;">↑</td></tr> <tr><td>5:</td><td>10.1</td><td style="text-align: right;">↗</td></tr> <tr><td>6:</td><td>9.5</td><td style="text-align: right;">↓</td></tr> <tr><td>7:</td><td>10.4</td><td style="text-align: right;">↓</td></tr> <tr><td>8:</td><td>10.7x</td><td style="text-align: right;">↘</td></tr> <tr><td>9:</td><td>10.4</td><td style="text-align: right;">↘</td></tr> <tr><td>10:</td><td>10.3</td><td style="text-align: right;">↗</td></tr> </table>	1:	9.8	↙	2:	10.1	↙	3:	10.2	↙	4:	10.6x	↑	5:	10.1	↗	6:	9.5	↓	7:	10.4	↓	8:	10.7x	↘	9:	10.4	↘	10:	10.3	↗
1:	9.8	↙																													
2:	10.1	↙																													
3:	10.2	↙																													
4:	10.6x	↑																													
5:	10.1	↗																													
6:	9.5	↓																													
7:	10.4	↓																													
8:	10.7x	↘																													
9:	10.4	↘																													
10:	10.3	↗																													
<table style="width:100%; border-collapse: collapse;"> <tr> <td style="width:45%;">Serie</td> <td style="width:55%; text-align: right;">98.0</td> </tr> <tr> <td>Total</td> <td style="text-align: right;">98.0</td> </tr> </table>		Serie	98.0	Total	98.0																										
Serie	98.0																														
Total	98.0																														

<p>20 Skud</p> 	<table style="width:100%; border-collapse: collapse;"> <tr><td style="width:10%;">11:</td><td style="width:40%;">9.5</td><td style="width:50%; text-align: right;">↙</td></tr> <tr><td>12:</td><td>10.8x</td><td style="text-align: right;">↗</td></tr> <tr><td>13:</td><td>10.8x</td><td style="text-align: right;">←</td></tr> <tr><td>14:</td><td>10.6x</td><td style="text-align: right;">→</td></tr> <tr><td>15:</td><td>10.7x</td><td style="text-align: right;">↙</td></tr> <tr><td>16:</td><td>9.9</td><td style="text-align: right;">↓</td></tr> <tr><td>17:</td><td>10.4</td><td style="text-align: right;">↓</td></tr> <tr><td>18:</td><td>10.6x</td><td style="text-align: right;">↘</td></tr> <tr><td>19:</td><td>10.8x</td><td style="text-align: right;">→</td></tr> <tr><td>20:</td><td>10.3</td><td style="text-align: right;">↙</td></tr> </table>	11:	9.5	↙	12:	10.8x	↗	13:	10.8x	←	14:	10.6x	→	15:	10.7x	↙	16:	9.9	↓	17:	10.4	↓	18:	10.6x	↘	19:	10.8x	→	20:	10.3	↙
11:	9.5	↙																													
12:	10.8x	↗																													
13:	10.8x	←																													
14:	10.6x	→																													
15:	10.7x	↙																													
16:	9.9	↓																													
17:	10.4	↓																													
18:	10.6x	↘																													
19:	10.8x	→																													
20:	10.3	↙																													
<table style="width:100%; border-collapse: collapse;"> <tr> <td style="width:45%;">Serie</td> <td style="width:55%; text-align: right;">98.0</td> </tr> <tr> <td>Total</td> <td style="text-align: right;">196.0</td> </tr> </table>		Serie	98.0	Total	196.0																										
Serie	98.0																														
Total	196.0																														



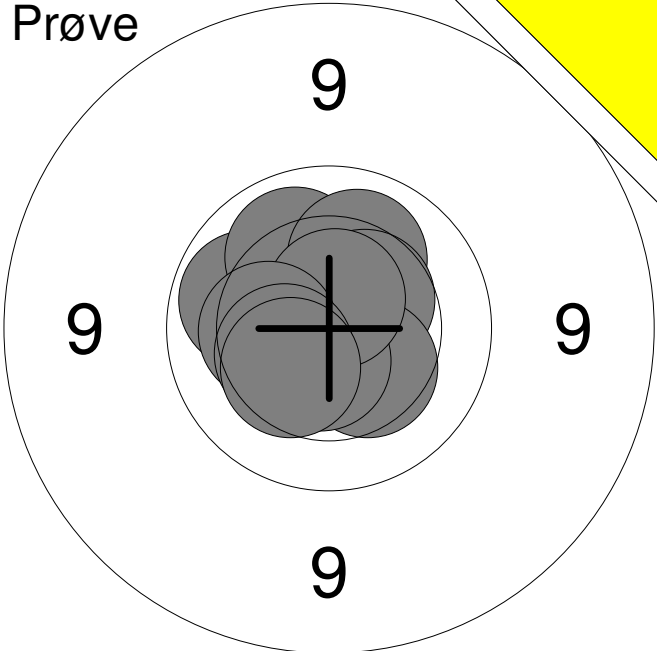
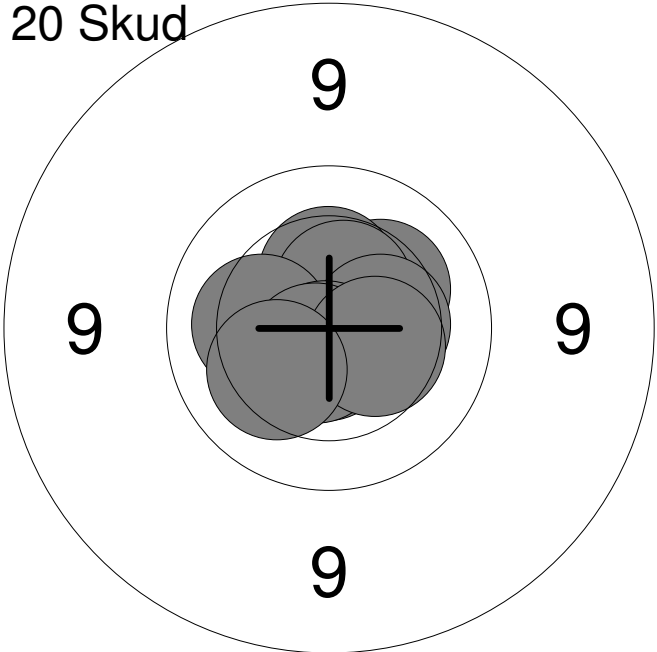
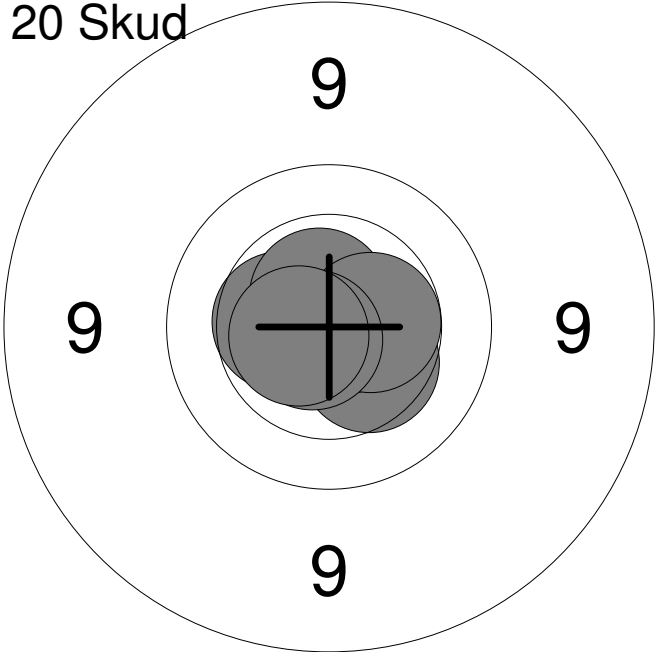
1: 9.6 ↘	6: 10.7x ↘	Serie	98
2: 10.1 ←	7: 10.6x ←		
3: 10.1 ↙	8: 10.1 ←	Total	0
4: 10.4 ↘	9: 9.7 →		
5: 10.3 ↓	10: 10.8x ↗		

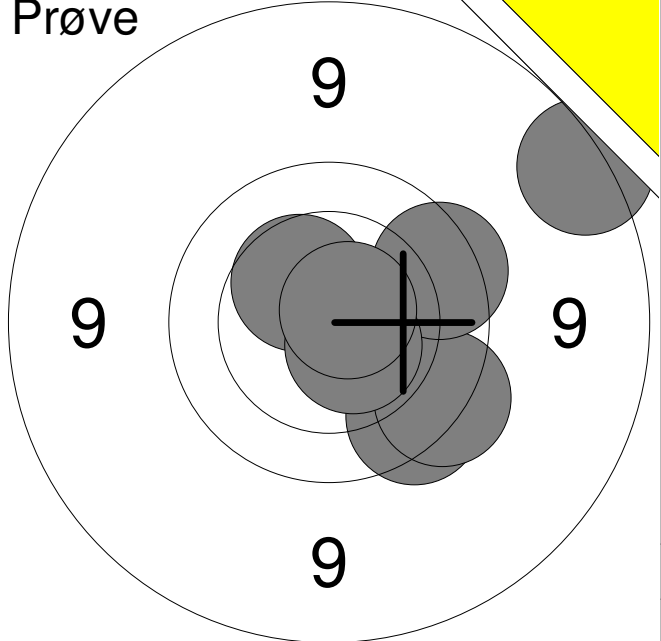
11: 10.8x ←	Serie	10
	Total	0

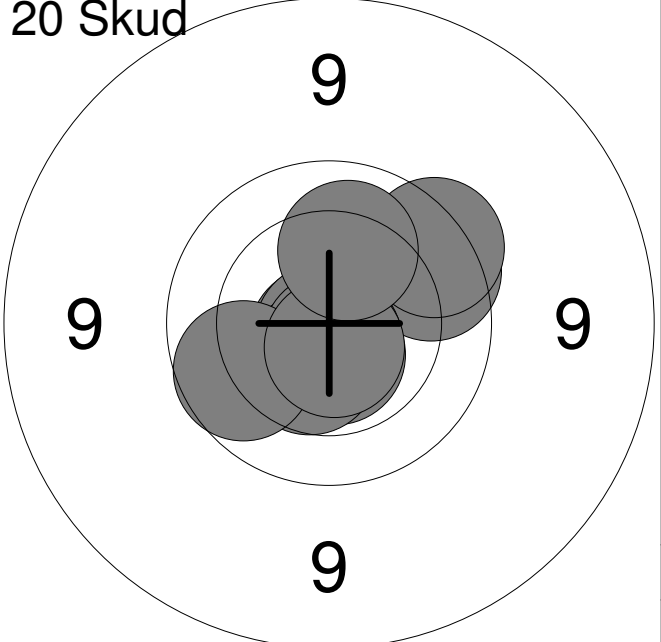


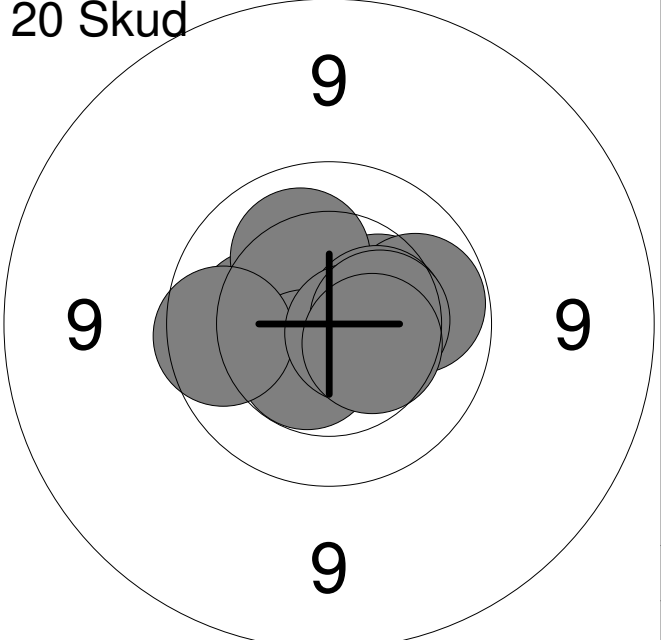
1: 10.6x ↘	6: 10.9x ↘	Serie	100
2: 10.8x ↓	7: 10.4 ↗		
3: 10.2 ↗	8: 10.6x →	Total	100
4: 10.4 →	9: 10.3 ↗		
5: 10.2 →	10: 10.7x →		

11: 10.5x ↗	16: 10.3 ↓	Serie	100
12: 10.7x ↗	17: 10.7x →		
13: 10.8x ↓	18: 10.8x →	Total	200
14: 10.7x ↓	19: 10.7x →		
15: 10.5x →	20: 10.2 ↓		

Hold	Skive	Louise Karstoft	
30	2		
15m	Vodskov Skytteforening	BK1	
30.01.2015	Nordjysk mesterskab 2015	Aalborg Skyttekreds	
Prøve 	1:	10.0	↖
	2:	10.1	↗
	3:	10.1	↗
	4:	10.5	↗
	5:	10.3	↘
	6:	10.6x	↘
	7:	10.6x	↗
	8:	10.3	↖
	9:	10.4	↖
	10:	10.4	↘
	Serie		100.0
Total		0.0	
20 Skud 	1:	10.3	↗
	2:	10.7x	↗
	3:	10.4	↗
	4:	10.5x	↗
	5:	10.2	↖
	6:	10.4	→
	7:	10.7x	↘
	8:	10.6x	↘
	9:	10.4	→
	10:	10.2	↘
	Serie		100.0
Total		100.0	
20 Skud 	11:	10.8x	↗
	12:	10.4	↖
	13:	10.8x	↗
	14:	10.4	↘
	15:	10.8x	↗
	16:	10.8x	→
	17:	10.6x	↗
	18:	10.5x	→
	19:	10.7x	↘
	20:	10.6x	↖
	Serie		100.0
Total		200.0	

<p>Prøve</p> 	<table style="width:100%; border-collapse: collapse;"> <tr><td style="width:10%;">1:</td><td style="width:40%;">8.8</td><td style="width:50%; text-align: right;">↗</td></tr> <tr><td>2:</td><td>9.7</td><td style="text-align: right;">↘</td></tr> <tr><td>3:</td><td>9.7</td><td style="text-align: right;">↘</td></tr> <tr><td>4:</td><td>9.8</td><td style="text-align: right;">↗</td></tr> <tr><td>5:</td><td>10.4</td><td style="text-align: right;">↗</td></tr> <tr><td>6:</td><td>10.6x</td><td style="text-align: right;">↘</td></tr> <tr><td>7:</td><td>10.7x</td><td style="text-align: right;">↗</td></tr> </table>	1:	8.8	↗	2:	9.7	↘	3:	9.7	↘	4:	9.8	↗	5:	10.4	↗	6:	10.6x	↘	7:	10.7x	↗
1:	8.8	↗																				
2:	9.7	↘																				
3:	9.7	↘																				
4:	9.8	↗																				
5:	10.4	↗																				
6:	10.6x	↘																				
7:	10.7x	↗																				
		<table style="width:100%; border-collapse: collapse;"> <tr> <td style="width:10%;">Serie</td> <td style="width:80%;"></td> <td style="width:10%; text-align: right;">65.0</td> </tr> <tr> <td>Total</td> <td></td> <td style="text-align: right;">0.0</td> </tr> </table>	Serie		65.0	Total		0.0														
Serie		65.0																				
Total		0.0																				

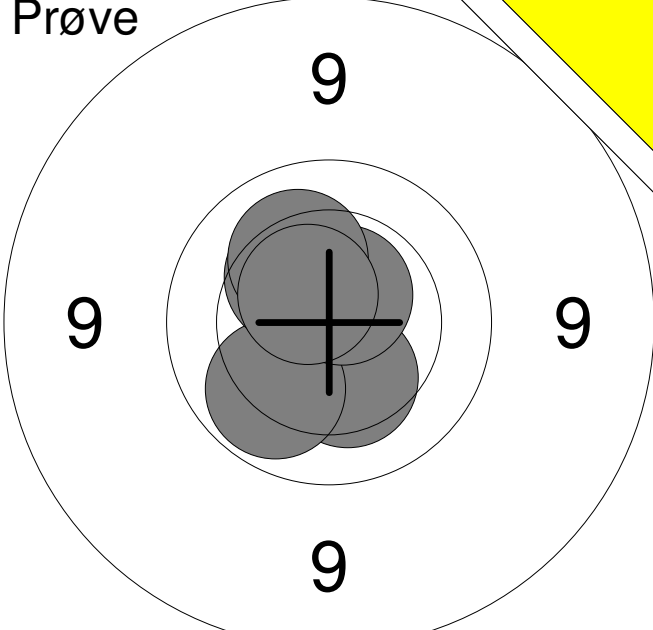
<p>20 Skud</p> 	<table style="width:100%; border-collapse: collapse;"> <tr><td style="width:10%;">1:</td><td style="width:40%;">10.8x</td><td style="width:50%; text-align: right;">↙</td></tr> <tr><td>2:</td><td>10.8x</td><td style="text-align: right;">↙</td></tr> <tr><td>3:</td><td>10.6x</td><td style="text-align: right;">↘</td></tr> <tr><td>4:</td><td>10.5</td><td style="text-align: right;">↙</td></tr> <tr><td>5:</td><td>9.8</td><td style="text-align: right;">↗</td></tr> <tr><td>6:</td><td>9.7</td><td style="text-align: right;">↗</td></tr> <tr><td>7:</td><td>10.7x</td><td style="text-align: right;">↘</td></tr> <tr><td>8:</td><td>9.9</td><td style="text-align: right;">↖</td></tr> <tr><td>9:</td><td>10.7x</td><td style="text-align: right;">↘</td></tr> <tr><td>10:</td><td>10.1</td><td style="text-align: right;">↗</td></tr> </table>	1:	10.8x	↙	2:	10.8x	↙	3:	10.6x	↘	4:	10.5	↙	5:	9.8	↗	6:	9.7	↗	7:	10.7x	↘	8:	9.9	↖	9:	10.7x	↘	10:	10.1	↗
1:	10.8x	↙																													
2:	10.8x	↙																													
3:	10.6x	↘																													
4:	10.5	↙																													
5:	9.8	↗																													
6:	9.7	↗																													
7:	10.7x	↘																													
8:	9.9	↖																													
9:	10.7x	↘																													
10:	10.1	↗																													
		<table style="width:100%; border-collapse: collapse;"> <tr> <td style="width:10%;">Serie</td> <td style="width:80%;"></td> <td style="width:10%; text-align: right;">97.0</td> </tr> <tr> <td>Total</td> <td></td> <td style="text-align: right;">97.0</td> </tr> </table>	Serie		97.0	Total		97.0																							
Serie		97.0																													
Total		97.0																													

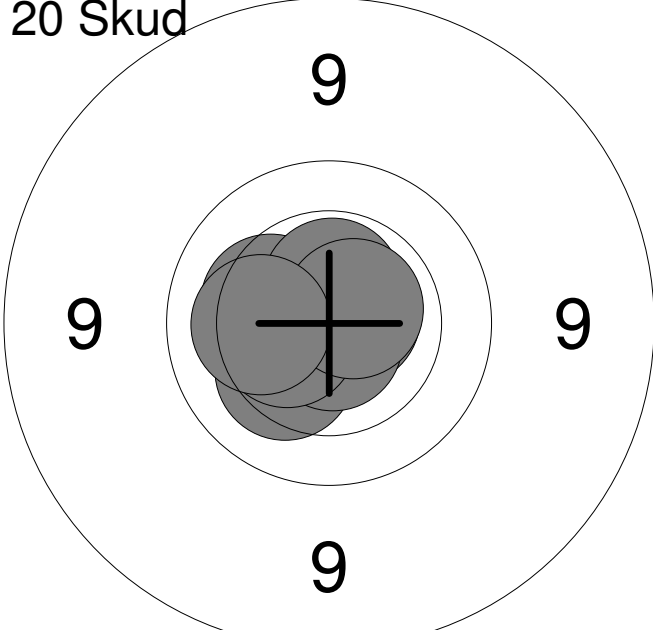
<p>20 Skud</p> 	<table style="width:100%; border-collapse: collapse;"> <tr><td style="width:10%;">11:</td><td style="width:40%;">10.4</td><td style="width:50%; text-align: right;">↗</td></tr> <tr><td>12:</td><td>10.2</td><td style="text-align: right;">↖</td></tr> <tr><td>13:</td><td>10.2</td><td style="text-align: right;">↗</td></tr> <tr><td>14:</td><td>10.0</td><td style="text-align: right;">↗</td></tr> <tr><td>15:</td><td>10.5x</td><td style="text-align: right;">↘</td></tr> <tr><td>16:</td><td>9.9</td><td style="text-align: right;">↖</td></tr> <tr><td>17:</td><td>10.4</td><td style="text-align: right;">↗</td></tr> <tr><td>18:</td><td>10.7x</td><td style="text-align: right;">↘</td></tr> <tr><td>19:</td><td>10.4</td><td style="text-align: right;">↗</td></tr> <tr><td>20:</td><td>10.4</td><td style="text-align: right;">↘</td></tr> </table>	11:	10.4	↗	12:	10.2	↖	13:	10.2	↗	14:	10.0	↗	15:	10.5x	↘	16:	9.9	↖	17:	10.4	↗	18:	10.7x	↘	19:	10.4	↗	20:	10.4	↘
11:	10.4	↗																													
12:	10.2	↖																													
13:	10.2	↗																													
14:	10.0	↗																													
15:	10.5x	↘																													
16:	9.9	↖																													
17:	10.4	↗																													
18:	10.7x	↘																													
19:	10.4	↗																													
20:	10.4	↘																													
		<table style="width:100%; border-collapse: collapse;"> <tr> <td style="width:10%;">Serie</td> <td style="width:80%;"></td> <td style="width:10%; text-align: right;">99.0</td> </tr> <tr> <td>Total</td> <td></td> <td style="text-align: right;">196.0</td> </tr> </table>	Serie		99.0	Total		196.0																							
Serie		99.0																													
Total		196.0																													

Hold 30	Skive 4	Magnus Larsen	
-------------------	-------------------	----------------------	--

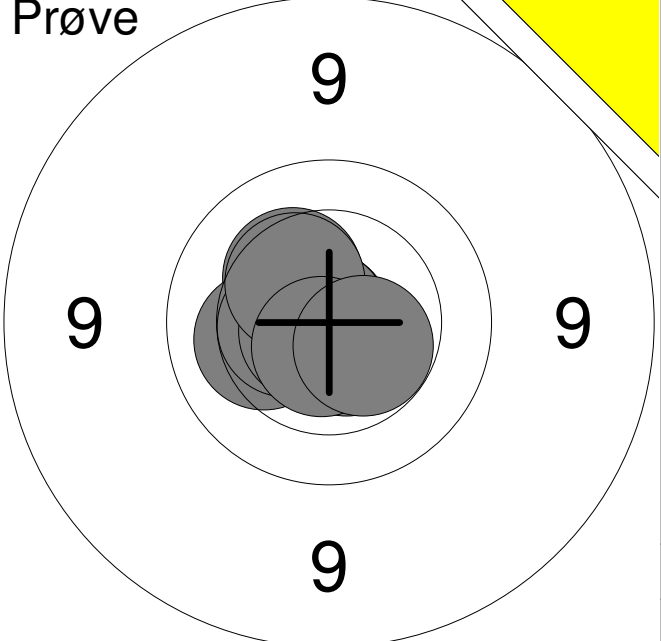
15m	Vodskov Skytteforening	BK1	
-----	------------------------	-----	--

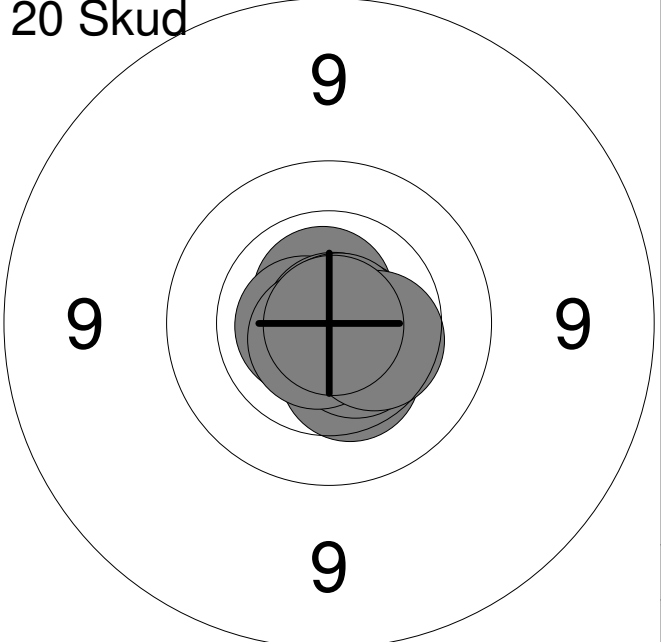
30.01.2015	Nordjysk mesterskab 2015	Aalborg Skyttekreds	
------------	--------------------------	---------------------	--

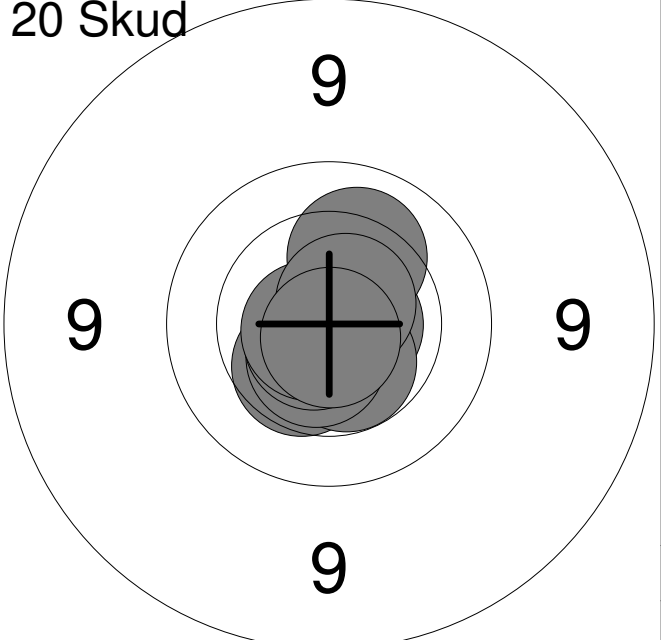
Prøve 	1: 10.3	↘
	2: 10.0	↙
	3: 10.3	↗
	4: 10.6x	↗
	5: 10.2	↗
	6: 10.6x	↗
	Serie	60.0
Total	0.0	

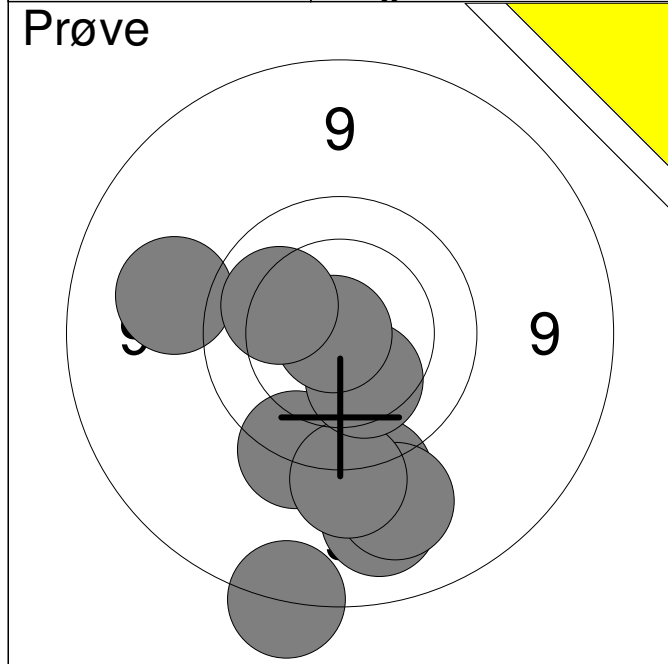
20 Skud 	1: 10.7x	↗
	2: 10.3	↙
	3: 10.8x	←
	4: 10.3	←
	5: 10.7x	→
	6: 10.6x	↑
	7: 10.8x	↓
	8: 10.5	←
	9: 10.6x	↗
	10: 10.2	←
	Serie	100.0
Total	100.0	

20 Skud 	11: 10.3	→
	12: 10.6x	↗
	13: 10.9x	←
	14: 10.6x	→
	15: 10.6x	↑
	16: 10.7x	↗
	17: 10.4	←
	18: 10.7x	↓
	19: 10.6x	←
	20: 10.6x	↑
	Serie	100.0
Total	200.0	

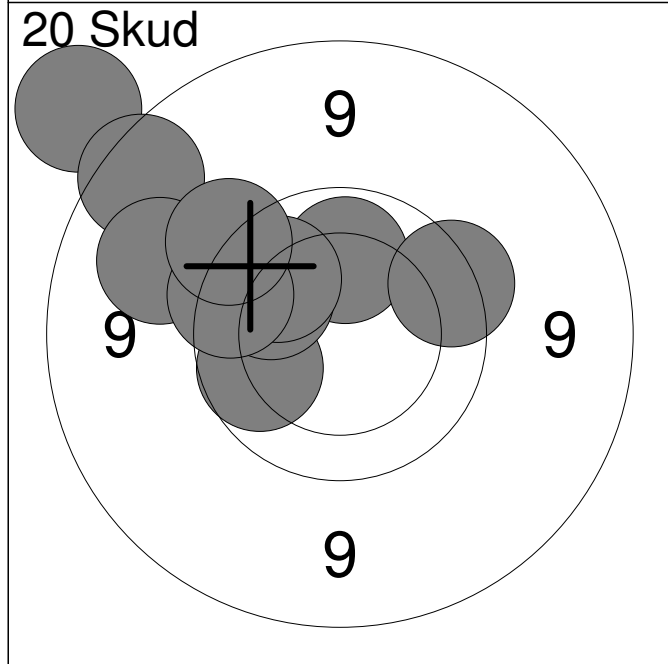
<p>Prøve</p> 	<table style="width:100%; border-collapse: collapse;"> <tr><td style="width:10%;">1:</td><td style="width:80%;">10.3</td><td style="width:10%; text-align: right;">↗</td></tr> <tr><td>2:</td><td>10.9x</td><td style="text-align: right;">↖</td></tr> <tr><td>3:</td><td>10.2</td><td style="text-align: right;">↙</td></tr> <tr><td>4:</td><td>10.5x</td><td style="text-align: right;">↖</td></tr> <tr><td>5:</td><td>10.7x</td><td style="text-align: right;">↙</td></tr> <tr><td>6:</td><td>10.8x</td><td style="text-align: right;">↗</td></tr> <tr><td>7:</td><td>10.6x</td><td style="text-align: right;">↘</td></tr> <tr><td>8:</td><td>10.4</td><td style="text-align: right;">↗</td></tr> <tr><td>9:</td><td>10.7x</td><td style="text-align: right;">↘</td></tr> <tr><td>10:</td><td>10.5x</td><td style="text-align: right;">↘</td></tr> <tr><td colspan="2">Serie</td><td style="text-align: right;">100.0</td></tr> <tr><td colspan="2">Total</td><td style="text-align: right;">0.0</td></tr> </table>	1:	10.3	↗	2:	10.9x	↖	3:	10.2	↙	4:	10.5x	↖	5:	10.7x	↙	6:	10.8x	↗	7:	10.6x	↘	8:	10.4	↗	9:	10.7x	↘	10:	10.5x	↘	Serie		100.0	Total		0.0
1:	10.3	↗																																			
2:	10.9x	↖																																			
3:	10.2	↙																																			
4:	10.5x	↖																																			
5:	10.7x	↙																																			
6:	10.8x	↗																																			
7:	10.6x	↘																																			
8:	10.4	↗																																			
9:	10.7x	↘																																			
10:	10.5x	↘																																			
Serie		100.0																																			
Total		0.0																																			

<p>20 Skud</p> 	<table style="width:100%; border-collapse: collapse;"> <tr><td style="width:10%;">1:</td><td style="width:80%;">10.7x</td><td style="width:10%; text-align: right;">↗</td></tr> <tr><td>2:</td><td>10.7x</td><td style="text-align: right;">↖</td></tr> <tr><td>3:</td><td>10.4</td><td style="text-align: right;">↘</td></tr> <tr><td>4:</td><td>10.7x</td><td style="text-align: right;">↘</td></tr> <tr><td>5:</td><td>10.6x</td><td style="text-align: right;">↘</td></tr> <tr><td>6:</td><td>10.9x</td><td style="text-align: right;">→</td></tr> <tr><td>7:</td><td>10.7x</td><td style="text-align: right;">↙</td></tr> <tr><td>8:</td><td>10.8x</td><td style="text-align: right;">→</td></tr> <tr><td>9:</td><td>10.4</td><td style="text-align: right;">↘</td></tr> <tr><td>10:</td><td>10.9x</td><td style="text-align: right;">↘</td></tr> <tr><td colspan="2">Serie</td><td style="text-align: right;">100.0</td></tr> <tr><td colspan="2">Total</td><td style="text-align: right;">100.0</td></tr> </table>	1:	10.7x	↗	2:	10.7x	↖	3:	10.4	↘	4:	10.7x	↘	5:	10.6x	↘	6:	10.9x	→	7:	10.7x	↙	8:	10.8x	→	9:	10.4	↘	10:	10.9x	↘	Serie		100.0	Total		100.0
1:	10.7x	↗																																			
2:	10.7x	↖																																			
3:	10.4	↘																																			
4:	10.7x	↘																																			
5:	10.6x	↘																																			
6:	10.9x	→																																			
7:	10.7x	↙																																			
8:	10.8x	→																																			
9:	10.4	↘																																			
10:	10.9x	↘																																			
Serie		100.0																																			
Total		100.0																																			

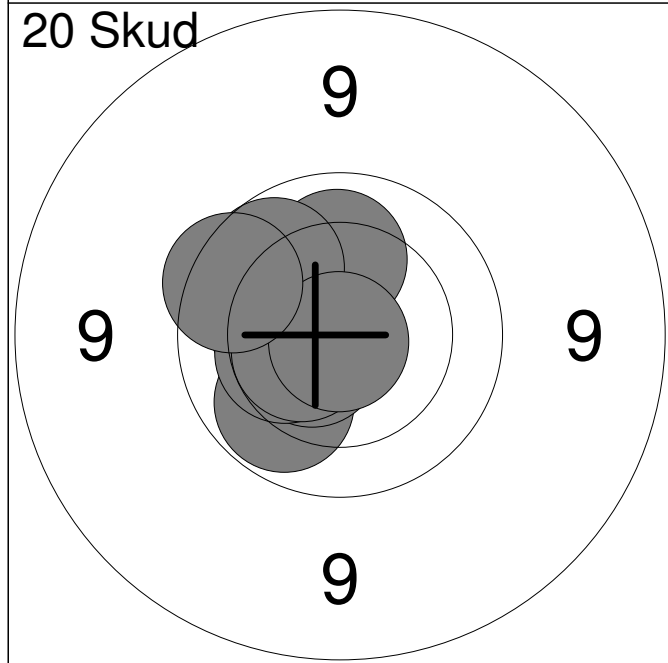
<p>20 Skud</p> 	<table style="width:100%; border-collapse: collapse;"> <tr><td style="width:10%;">11:</td><td style="width:80%;">10.4</td><td style="width:10%; text-align: right;">↙</td></tr> <tr><td>12:</td><td>10.7x</td><td style="text-align: right;">→</td></tr> <tr><td>13:</td><td>10.5x</td><td style="text-align: right;">↘</td></tr> <tr><td>14:</td><td>10.2</td><td style="text-align: right;">↗</td></tr> <tr><td>15:</td><td>10.9x</td><td style="text-align: right;">↗</td></tr> <tr><td>16:</td><td>10.6x</td><td style="text-align: right;">↙</td></tr> <tr><td>17:</td><td>10.7x</td><td style="text-align: right;">↙</td></tr> <tr><td>18:</td><td>10.7x</td><td style="text-align: right;">↖</td></tr> <tr><td>19:</td><td>10.7x</td><td style="text-align: right;">↗</td></tr> <tr><td>20:</td><td>10.8x</td><td style="text-align: right;">↘</td></tr> <tr><td colspan="2">Serie</td><td style="text-align: right;">100.0</td></tr> <tr><td colspan="2">Total</td><td style="text-align: right;">200.0</td></tr> </table>	11:	10.4	↙	12:	10.7x	→	13:	10.5x	↘	14:	10.2	↗	15:	10.9x	↗	16:	10.6x	↙	17:	10.7x	↙	18:	10.7x	↖	19:	10.7x	↗	20:	10.8x	↘	Serie		100.0	Total		200.0
11:	10.4	↙																																			
12:	10.7x	→																																			
13:	10.5x	↘																																			
14:	10.2	↗																																			
15:	10.9x	↗																																			
16:	10.6x	↙																																			
17:	10.7x	↙																																			
18:	10.7x	↖																																			
19:	10.7x	↗																																			
20:	10.8x	↘																																			
Serie		100.0																																			
Total		200.0																																			



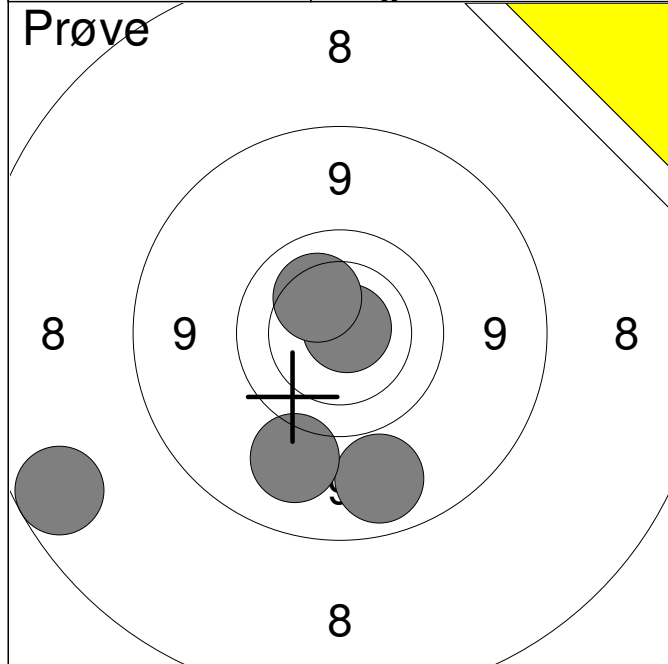
1:	9.4	↓
2:	9.1	↓
3:	9.6	↓
4:	8.7	↓
5:	9.2	↓
6:	9.5	↓
7:	10.3	↓
8:	9.3	↖
9:	10.9x	↖
10:	10.1	↖
Serie		92.0
Total		0.0



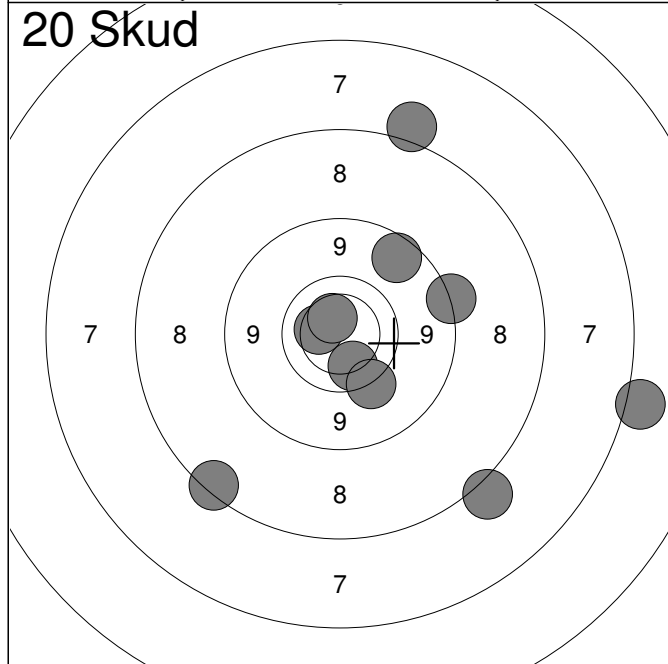
1:	9.9	↖
2:	8.4	↗
3:	8.8	↗
4:	9.2	↖
5:	10.1	↑
6:	9.7	↗
7:	10.0	↗
8:	10.0	↗
9:	9.7	↖
10:	9.5	↗
Serie		91.0
Total		91.0



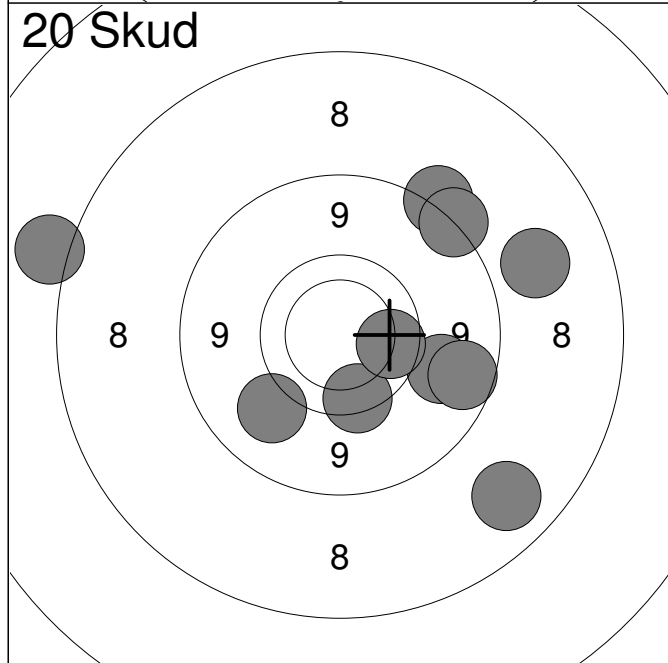
11:	10.7x	↗
12:	10.0	↓
13:	10.3	↖
14:	10.6x	↓
15:	10.3	↖
16:	10.1	↑
17:	10.5x	↖
18:	9.9	↗
19:	10.9x	↓
20:	9.8	↖
Serie		98.0
Total		189.0



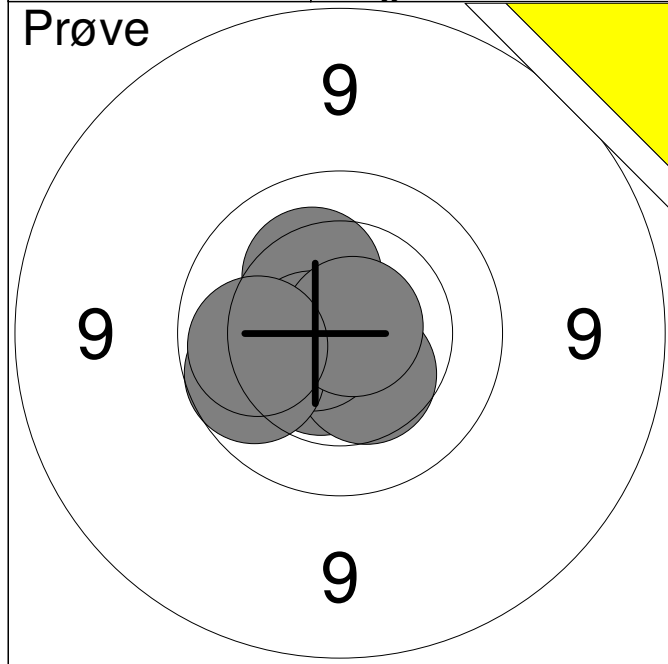
1:	7.9	←
2:	9.1	↓
3:	9.2	↓
4:	10.8x	↗
5:	10.2	↖
Serie		45.0
Total		0.0



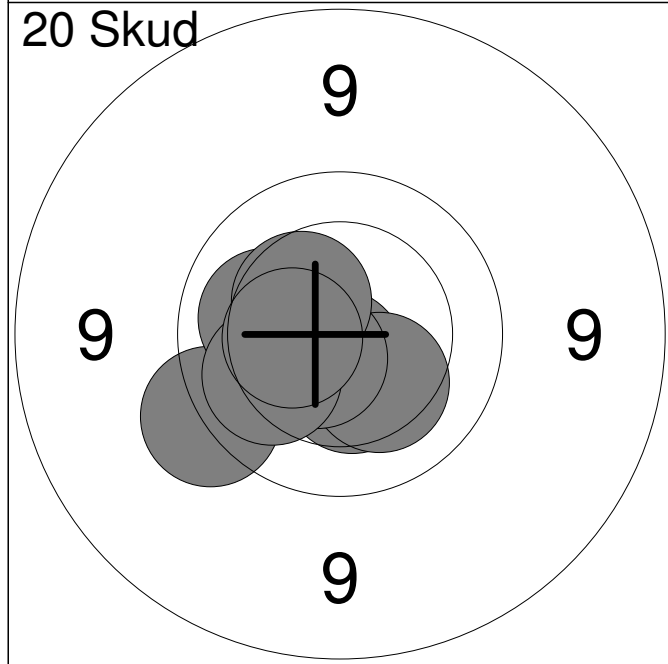
1:	10.3	←
2:	8.7	→
3:	9.9	↓
4:	7.5	↓
5:	8.9	↗
6:	6.5	→
7:	7.8	↖
8:	9.5	↓
9:	10.4	↗
10:	7.5	↖
Serie		81.0
Total		81.0



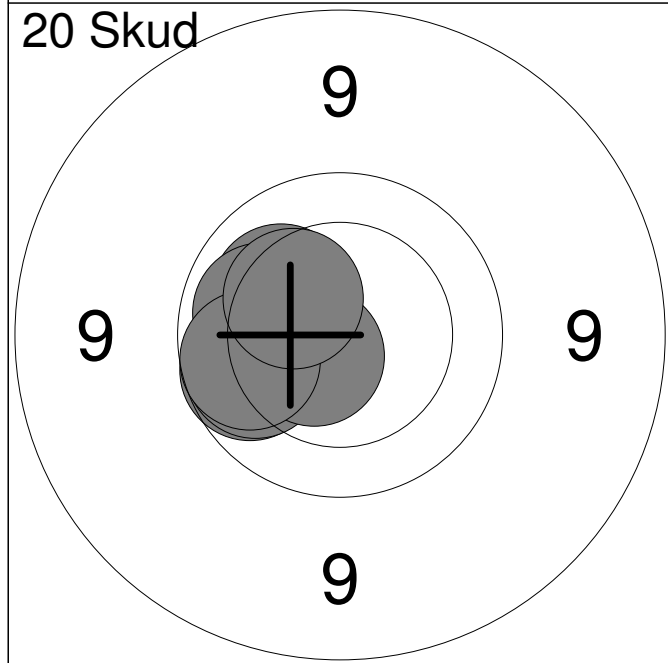
11:	8.1	↓
12:	8.3	→
13:	7.5	←
14:	9.2	→
15:	9.7	↓
16:	9.9	→
17:	8.6	↗
18:	8.7	↗
19:	8.9	→
20:	9.3	↖
Serie		83.0
Total		164.0



1:	10.6x	↙
2:	10.4	↘
3:	10.3	↗
4:	10.6x	←
5:	9.9	←
6:	10.8x	↗
7:	10.0	←
Serie		69.0
Total		0.0



1:	10.4	↘
2:	10.7x	↘
3:	10.6x	↙
4:	9.6	←
5:	10.2	←
6:	10.3	↘
7:	10.6x	↙
8:	10.1	←
9:	10.4	↗
10:	10.4	←
Serie		99.0
Total		99.0

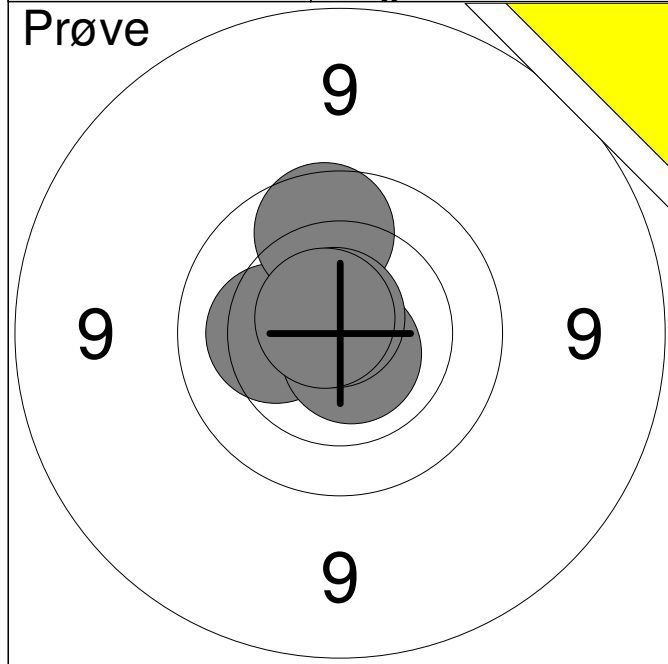


11:	9.9	←
12:	10.6x	←
13:	10.0	←
14:	10.1	←
15:	10.2	↗
16:	10.1	←
17:	10.4	←
18:	10.6x	↙
19:	9.9	←
20:	10.3	↗
Serie		98.0
Total		197.0

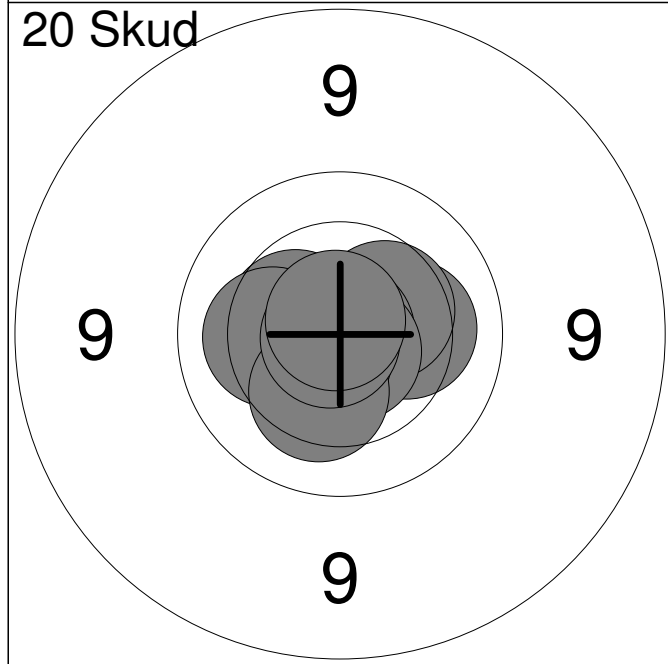
Hold 30	Skive 9	Jonas Pedersen	
-------------------	-------------------	-----------------------	--

15m	Aalborg Skyttekreds	MJ1	
-----	---------------------	-----	--

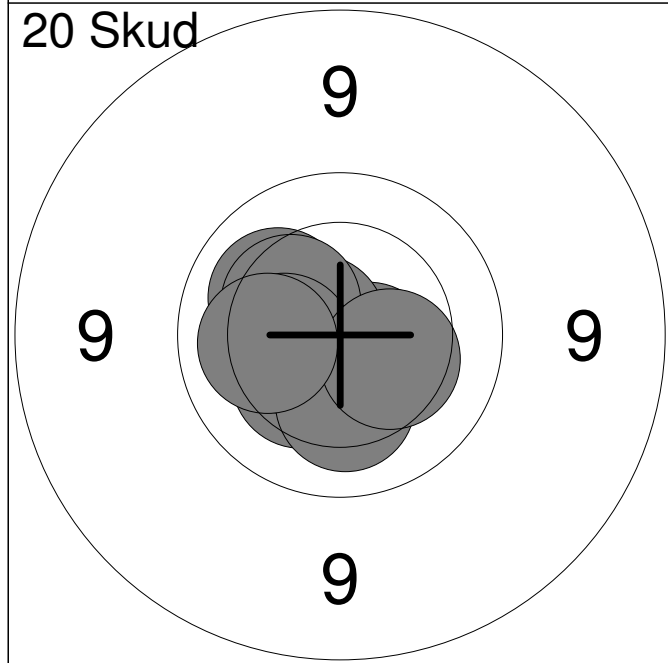
30.01.2015	Nordjysk mesterskab 2015	Aalborg Skyttekreds	
------------	--------------------------	---------------------	--



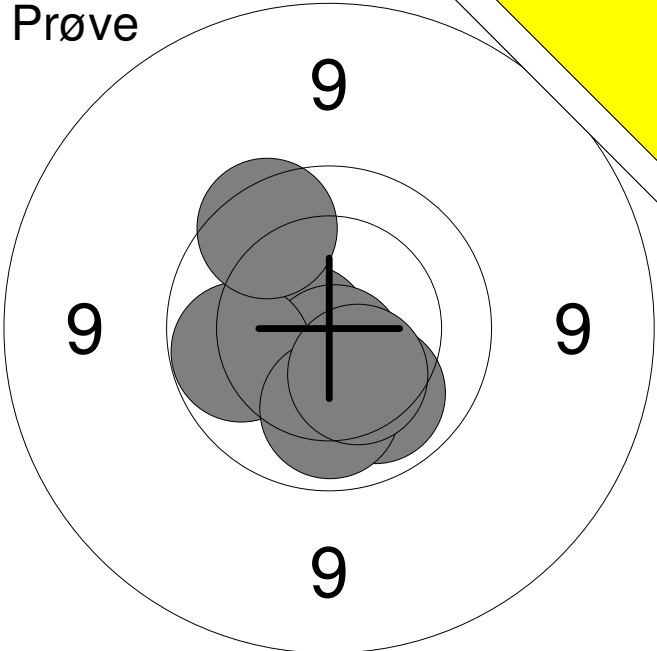
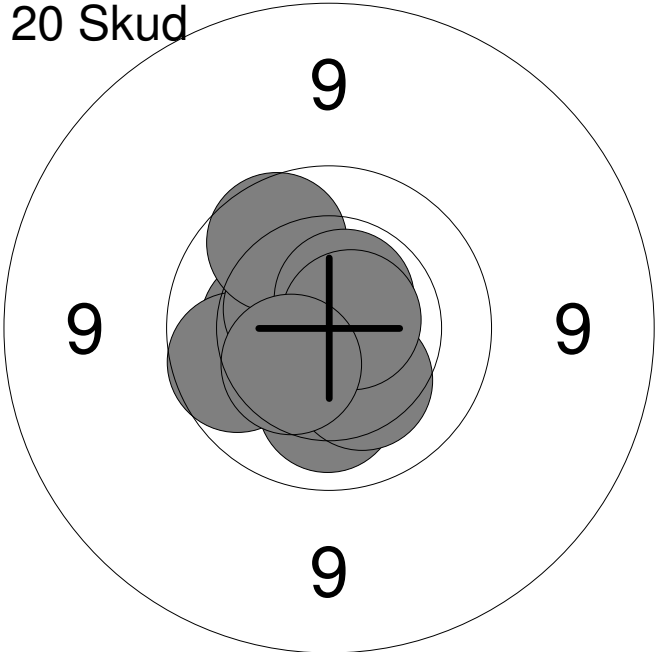
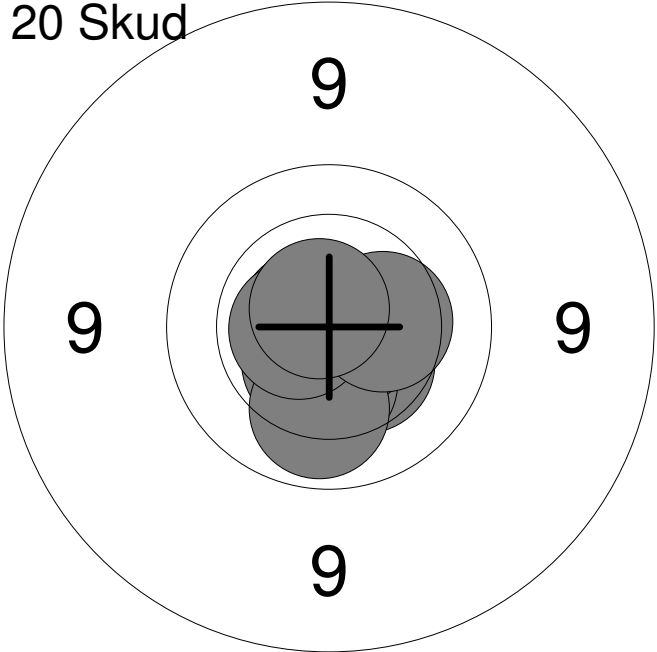
1:	10.3	←
2:	10.7x	↓
3:	9.9	↑
4:	10.8x	↑
5:	10.7x	↑
Serie		49.0
Total		0.0

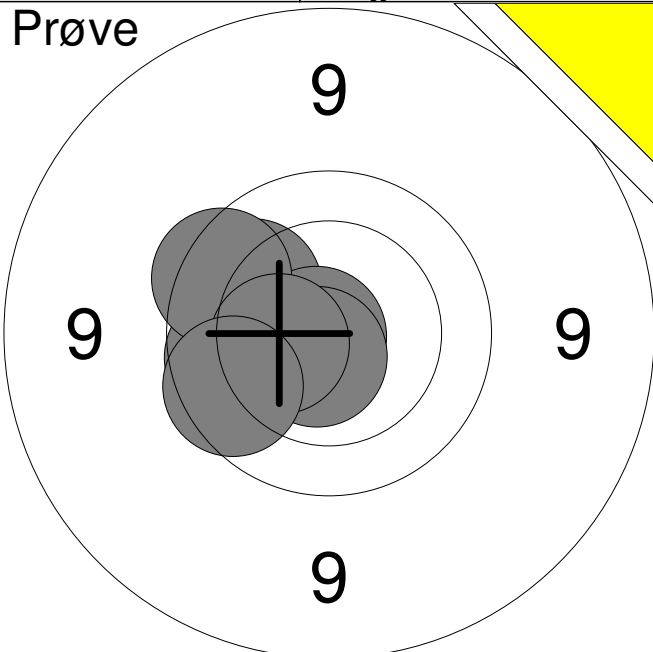
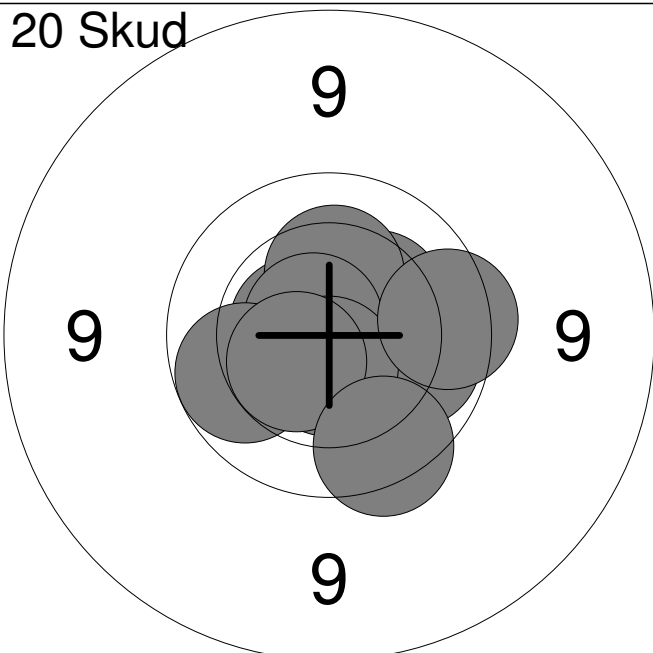
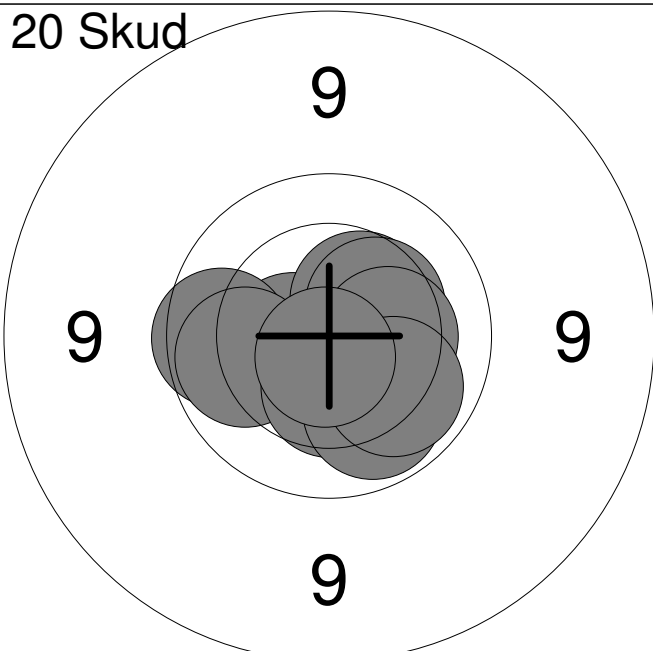


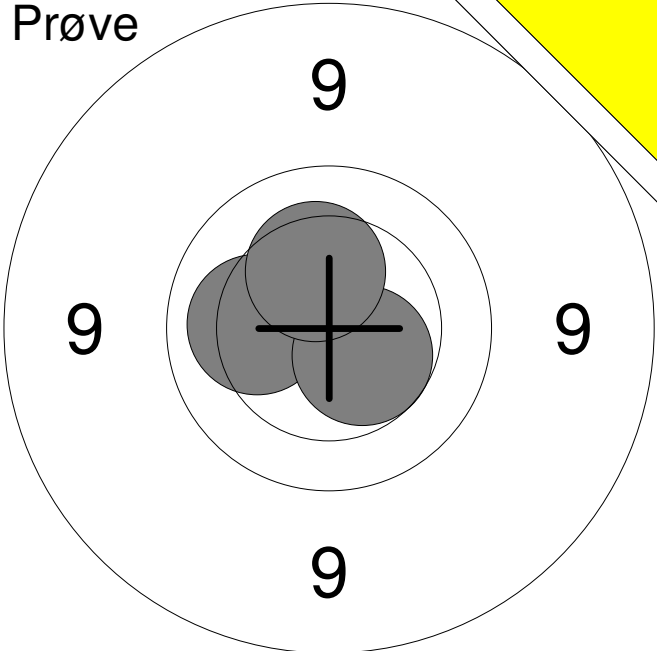
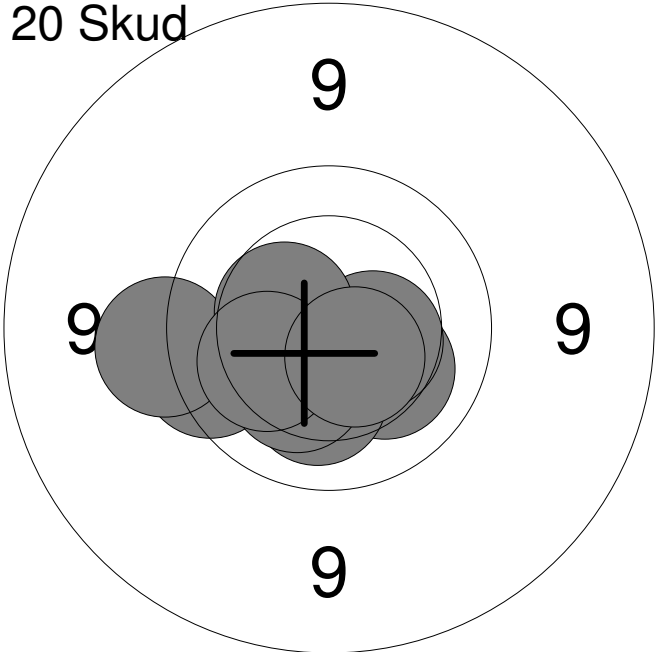
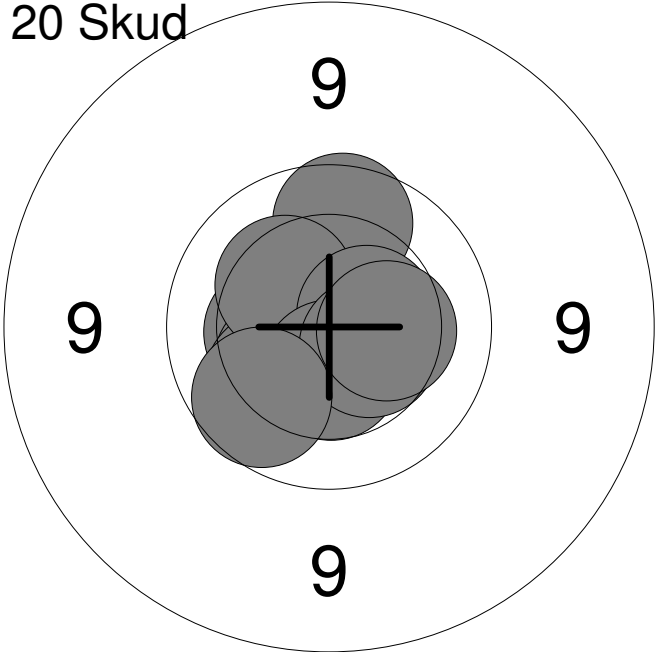
1:	10.2	→
2:	10.4	→
3:	10.4	←
4:	10.9x	→
5:	10.7x	↓
6:	10.7x	↓
7:	10.2	←
8:	10.3	↓
9:	10.8x	←
10:	10.8x	↑
Serie		100.0
Total		100.0

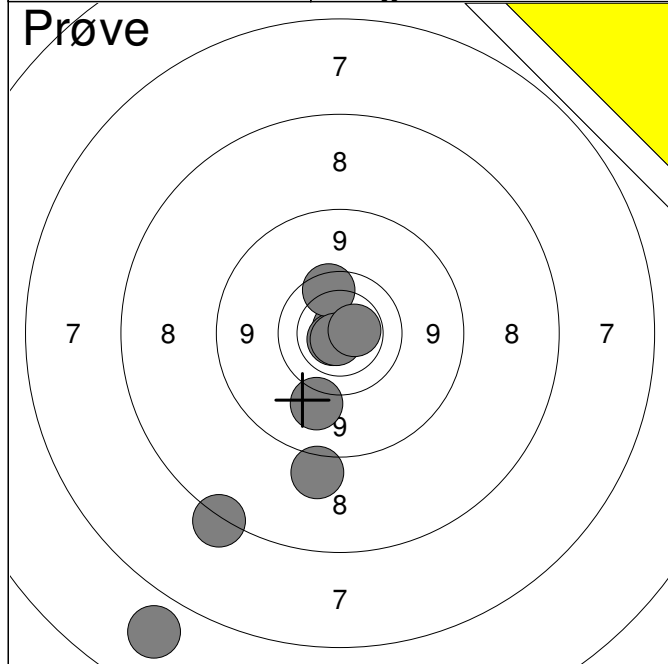


11:	10.6x	↓
12:	10.5x	↓
13:	10.2	↑
14:	10.3	↓
15:	10.7x	↑
16:	10.3	↑
17:	10.3	←
18:	10.2	↓
19:	10.4	↓
20:	10.2	←
Serie		100.0
Total		200.0

Hold	Skive	Frederik Eisenhardt	
30	11	15m	Vadum Skf. BK2
30.01.2015	Nordjysk mesterskab 2015	Aalborg Skyttekreds	
Prøve		1: 10.6x ←	
		2: 10.7x ↓	
		3: 10.1 ↓	
		4: 10.0 ←	
		5: 9.8 ↗	
		6: 10.1 ↓	
		7: 10.4 ↓	
		Serie	69.0
		Total	0.0
20 Skud		1: 10.3 ←	
		2: 10.2 ↓	
		3: 9.9 ←	
		4: 10.7x ↗	
		5: 10.5x ↗	
		6: 10.3 ↓	
		7: 9.9 ↗	
		8: 10.6x ↗	
		9: 10.7x →	
		10: 10.4 ↙	
		Serie	98.0
		Total	98.0
20 Skud		11: 10.6x ↓	
		12: 10.4 ↓	
		13: 10.5x ↓	
		14: 10.7x ↗	
		15: 10.4 ↓	
		16: 10.7x ↓	
		17: 10.1 ↓	
		18: 10.6x ←	
		19: 10.4 →	
		20: 10.7x ↗	
		Serie	100.0
		Total	198.0

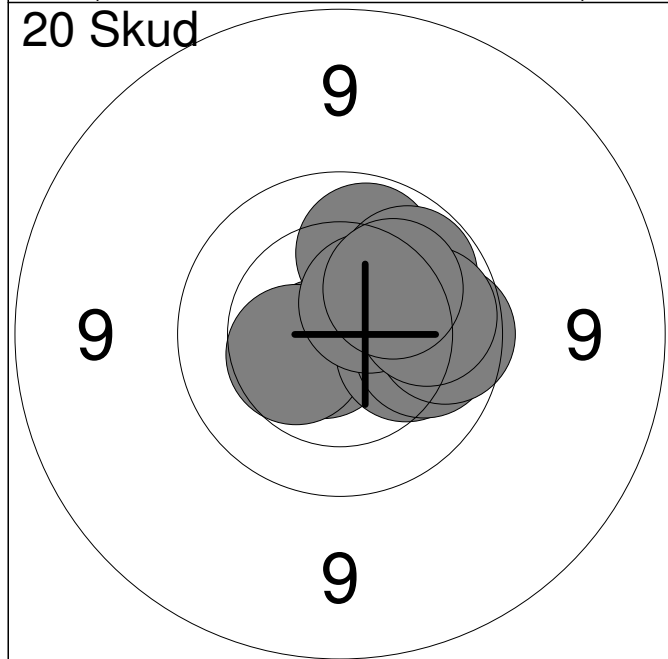
Hold 31	Skive 1	Noah Frost	
15m	Lindholm Sports Skytte Klub	MB2	
30.01.2015	Nordjysk mesterskab 2015	Aalborg Skyttekreds	
Prøve 	1:	10.0	↗
	2:	10.8x	↖
	3:	9.9	↖
	4:	10.7x	↘
	5:	9.8	↗
	6:	10.4	↖
	7:	9.8	↖
	Serie	67.0	
	Total	0.0	
20 Skud 	1:	10.6x	↖
	2:	10.3	↗
	3:	10.0	→
	4:	10.3	↑
	5:	10.7x	↗
	6:	10.6x	↓
	7:	9.8	→
	8:	10.0	↖
	9:	10.5x	↖
	10:	9.8	↓
	Serie	98.0	
	Total	98.0	
20 Skud 	11:	10.6x	↖
	12:	10.4	↗
	13:	9.9	↖
	14:	10.0	↖
	15:	10.4	↓
	16:	10.4	↗
	17:	10.3	→
	18:	10.0	↘
	19:	10.1	↘
	20:	10.7x	↓
	Serie	99.0	
	Total	197.0	

Hold 31	Skive 2	Jakob Imer		
15m	Vadum Skf.		BK2	
30.01.2015	Nordjysk mesterskab 2015	Aalborg Skyttekreds		
Prøve		1:	10.2	←
		2:	10.5	↘
		3:	10.3	↑
		Serie	30.0	
		Total	0.0	
20 Skud		1:	10.6x	←
		2:	10.2	↘
		3:	9.7	←
		4:	10.5	→
		5:	10.2	↓
		6:	10.3	↘
		7:	9.5	←
		8:	10.4	↖
		9:	10.2	←
		10:	10.5x	↘
		Serie	98.0	
		Total	98.0	
20 Skud		11:	9.9	↑
		12:	10.4	←
		13:	10.3	↖
		14:	10.1	↖
		15:	10.3	↗
		16:	10.5x	→
		17:	10.5	↓
		18:	10.5	↘
		19:	10.3	→
		20:	9.9	↖
		Serie	98.0	
		Total	196.0	



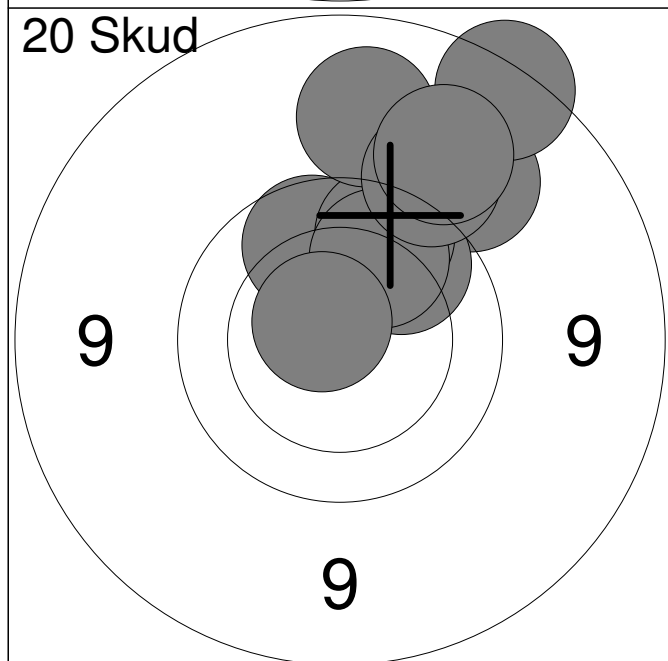
1:	6.3	↙
2:	7.6	↙
3:	8.5	↓
4:	9.3	↙
5:	10.8x	↑
6:	10.7x	↙
7:	9.8	↑
8:	10.7x	↙
9:	10.5x	→

Serie	79.0
Total	0.0



1:	10.0	↑
2:	10.7x	↙
3:	10.4	↙
4:	10.2	→
5:	10.0	→
6:	10.5	↗
7:	9.9	→
8:	10.0	↗
9:	10.0	→
10:	10.2	↗

Serie	99.0
Total	99.0



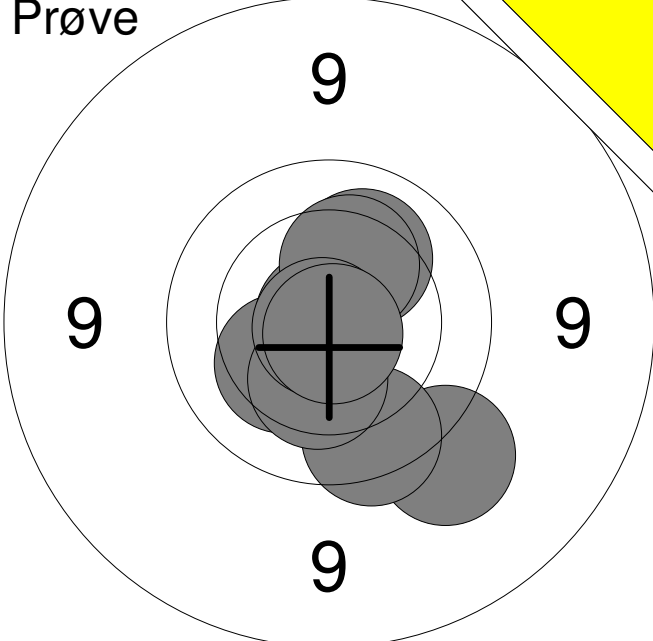
11:	9.9	↑
12:	9.3	↗
13:	9.9	↗
14:	9.8	↑
15:	10.0	↑
16:	9.1	↑
17:	10.7x	↖
18:	9.4	↗
19:	8.8	↗
20:	9.2	↗

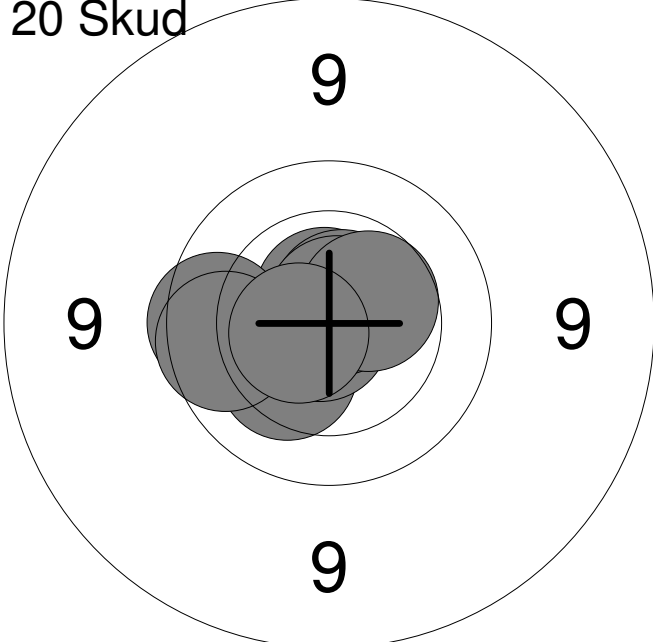
Serie	91.0
Total	190.0

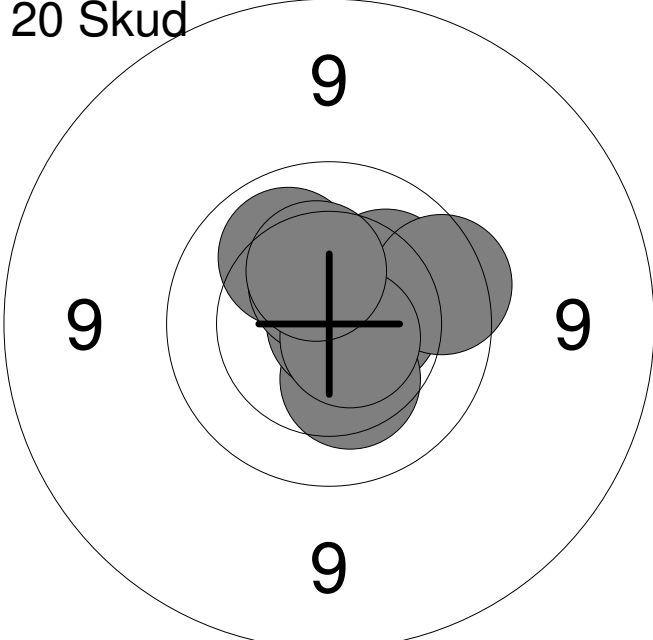
Hold 31	Skive 4	Kasper Schultz	
-------------------	-------------------	-----------------------	--

15m	Aalborg Skyttekreds	J1
-----	---------------------	----

30.01.2015	Nordjysk mesterskab 2015	Aalborg Skyttekreds
------------	--------------------------	---------------------

Prøve 	1:	9.4	↘
	2:	9.8	↘
	3:	10.3	↙
	4:	10.3	↘
	5:	10.2	↗
	6:	10.9x	↗
	7:	10.3	↗
	8:	10.9x	↙
	9:	10.8x	↘
	Serie		88.0
Total		0.0	

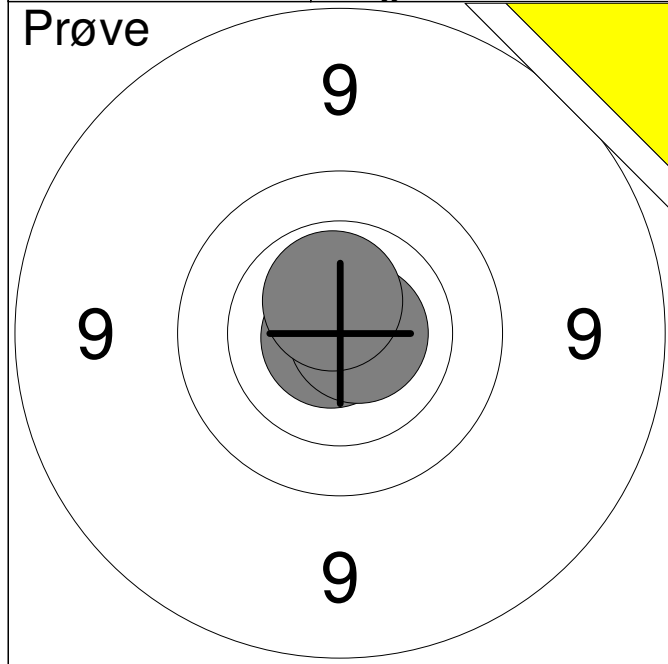
20 Skud 	1:	10.7x	↗
	2:	10.7x	↗
	3:	10.7x	↗
	4:	10.3	↙
	5:	10.8x	↙
	6:	9.8	←
	7:	10.7x	↗
	8:	9.9	←
	9:	10.5	↗
	10:	10.6x	←
Serie		98.0	
Total		98.0	

20 Skud 	11:	10.5x	→
	12:	10.6x	↗
	13:	10.1	↗
	14:	10.3	↘
	15:	10.2	↗
	16:	10.9x	→
	17:	10.5x	↗
	18:	9.8	→
	19:	10.7x	↘
	20:	10.4	↗
Serie		99.0	
Total		197.0	

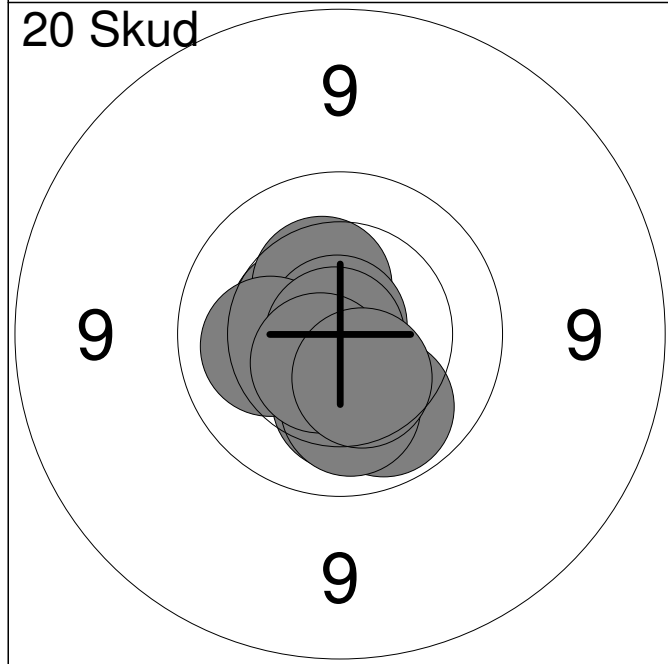
Hold 31	Skive 5	Clara Imer
-------------------	-------------------	-------------------

15m	Vadum Skf.	BK2
-----	------------	-----

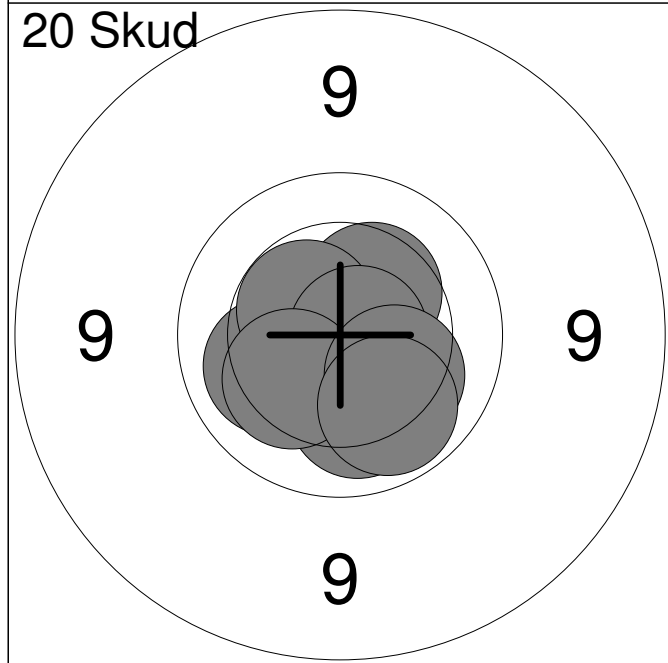
30.01.2015	Nordjysk mesterskab 2015	Aalborg Skyttekreds
------------	--------------------------	---------------------



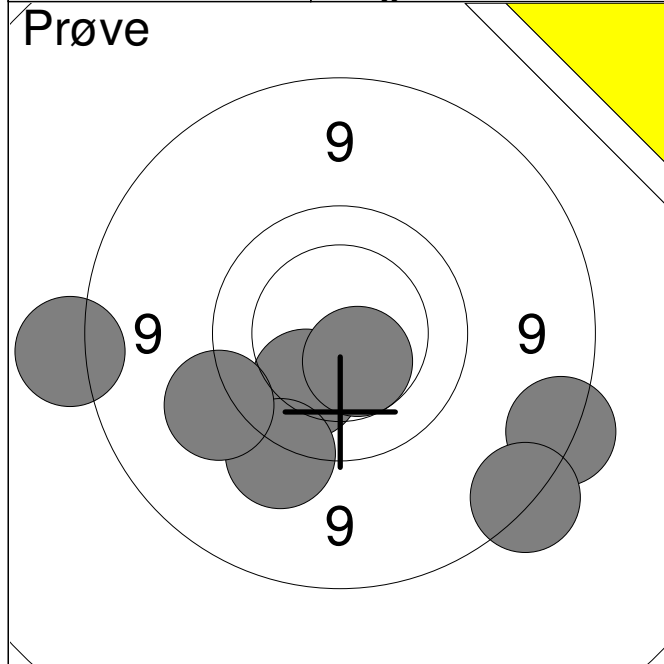
1:	10.8x	↙
2:	10.8x	→
3:	10.6x	↑
Serie		30.0
Total		0.0



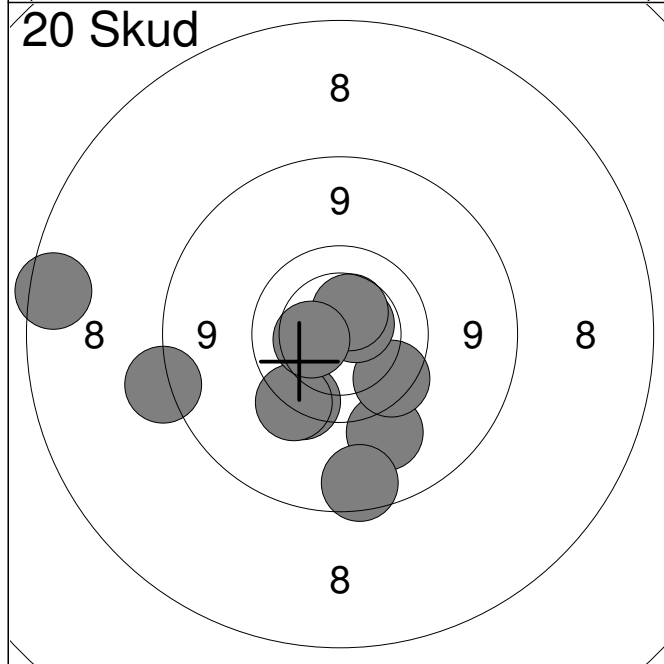
1:	10.5	↖
2:	10.0	↘
3:	10.2	↓
4:	10.4	↗
5:	10.8x	↗
6:	10.2	↙
7:	10.2	↓
8:	10.9x	↙
9:	10.6x	↘
10:	10.4	↓
Serie		100.0
Total		100.0



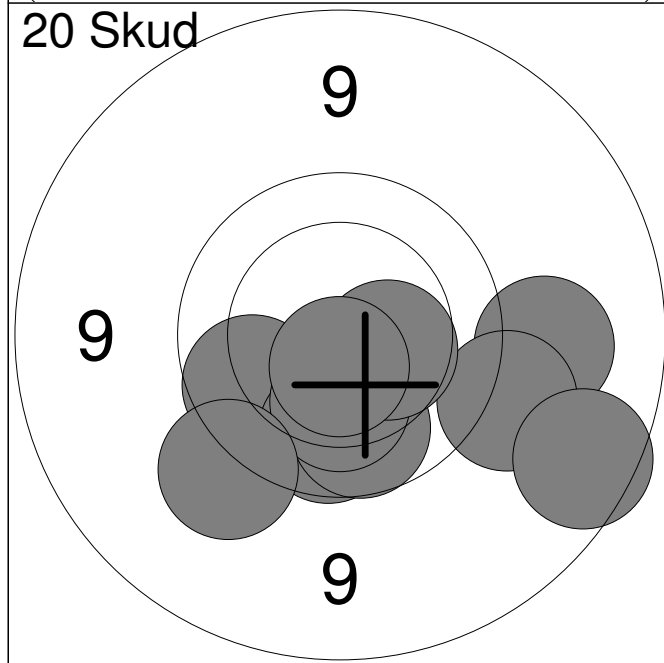
11:	10.5x	↙
12:	10.4	↗
13:	10.2	↙
14:	10.7x	↘
15:	10.5x	↗
16:	10.8x	→
17:	10.1	↓
18:	10.3	↙
19:	10.2	↘
20:	10.0	↘
Serie		100.0
Total		200.0



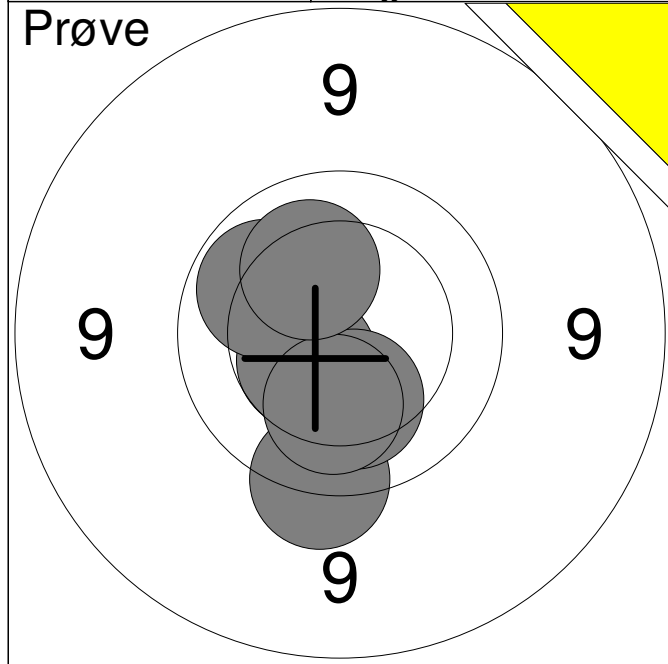
1:	10.1	↙
2:	10.5x	↓
3:	9.5	↙
4:	8.6	←
5:	8.7	→
6:	8.7	↘
7:	9.4	↙
Serie		62.0
Total		0.0



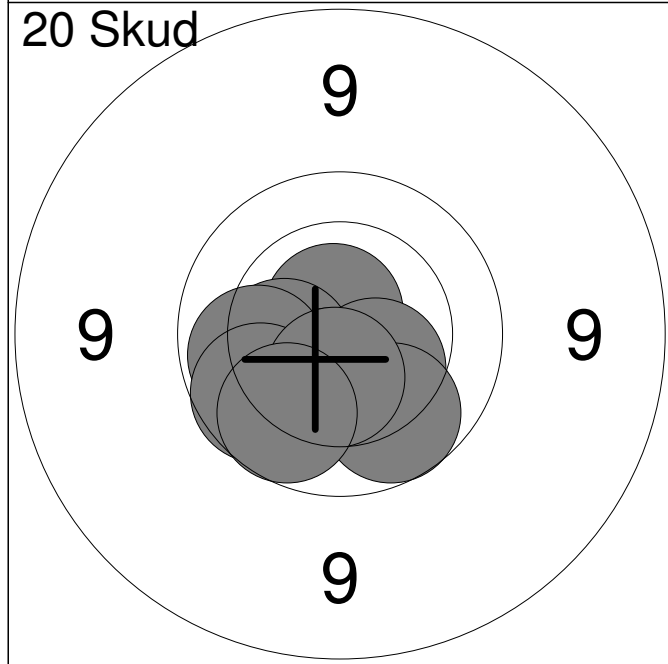
1:	9.3	↓
2:	8.9	↓
3:	8.6	←
4:	9.6	↙
5:	9.6	↙
6:	9.8	↘
7:	10.6x	↗
8:	10.5	↑
9:	10.4	←
10:	7.8	←
Serie		89.0
Total		89.0



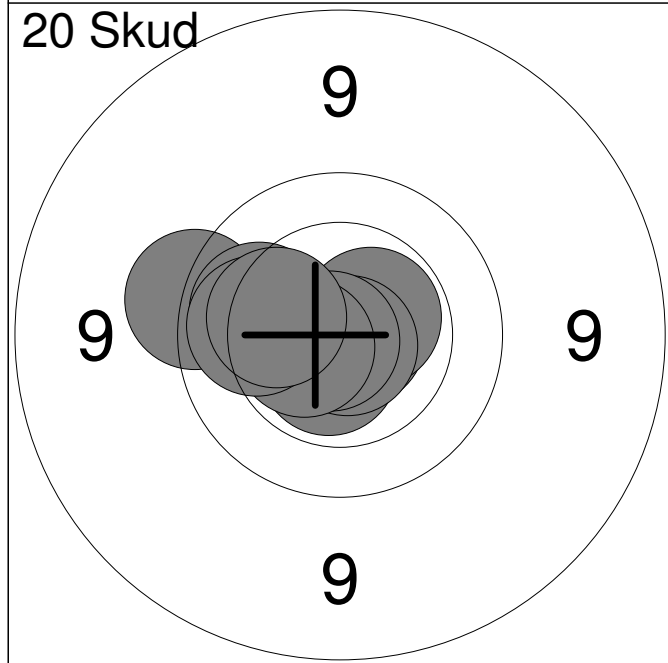
11:	9.3	→
12:	9.9	↙
13:	9.9	↓
14:	9.9	↓
15:	9.4	→
16:	10.2	↓
17:	10.4	→
18:	9.4	↙
19:	8.9	↘
20:	10.6x	↓
Serie		92.0
Total		181.0



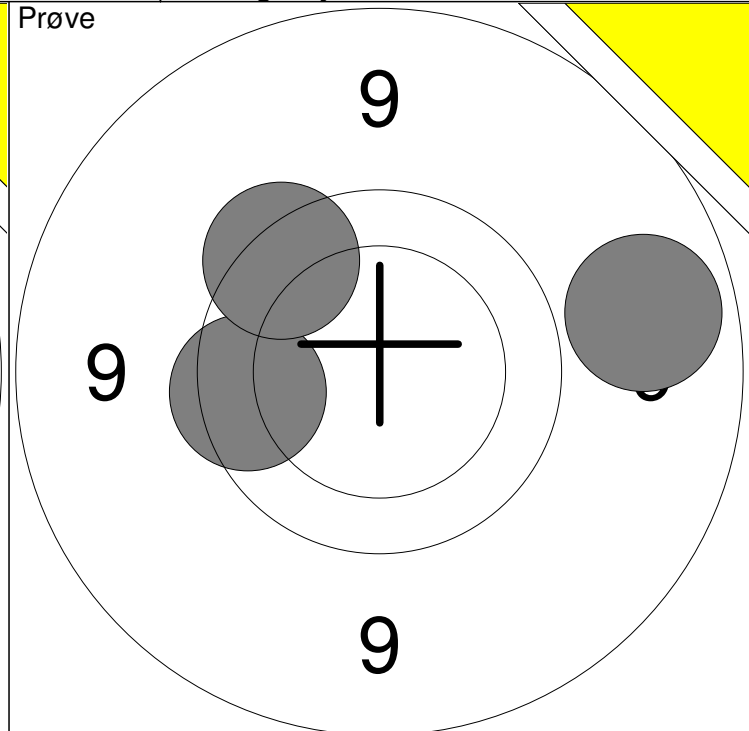
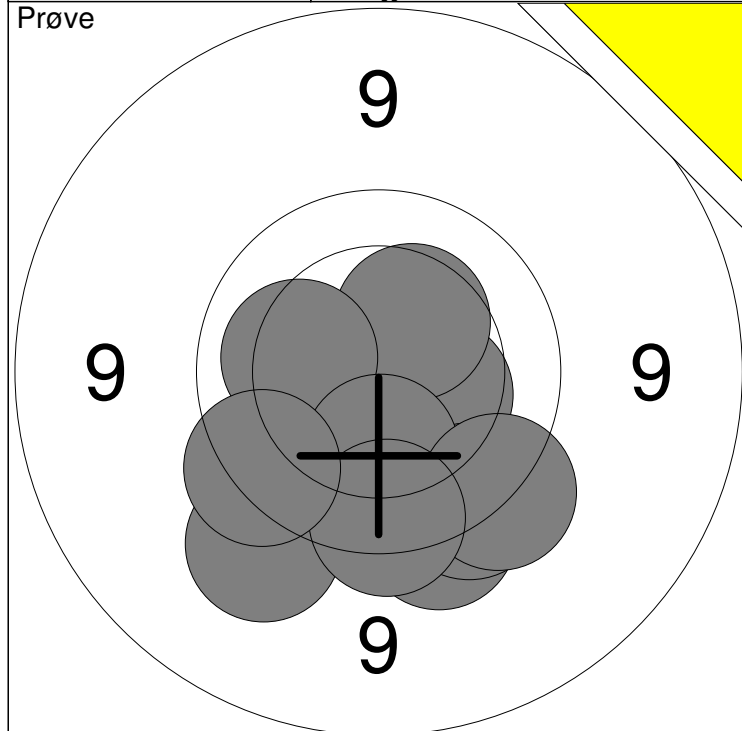
1:	9.6	↓
2:	10.5	↙
3:	10.2	↓
4:	10.0	↗
5:	10.2	↓
6:	10.2	↗
Serie	59.0	
Total	0.0	



1:	10.4	↙
2:	10.7x	↗
3:	10.3	↙
4:	10.4	↘
5:	10.5	↓
6:	10.0	↙
7:	9.9	↘
8:	9.9	↙
9:	10.5	↓
10:	9.9	↘
Serie	97.0	
Total	97.0	

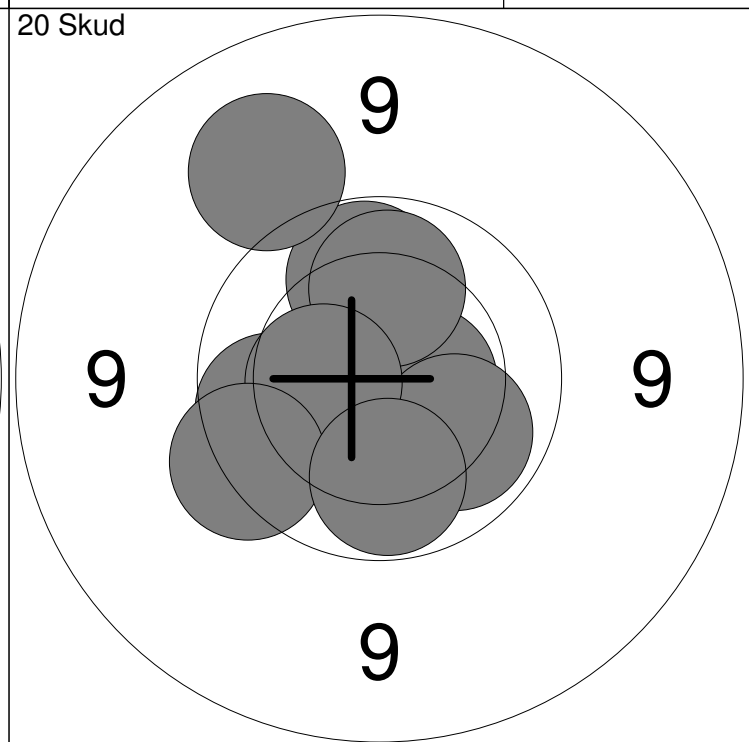
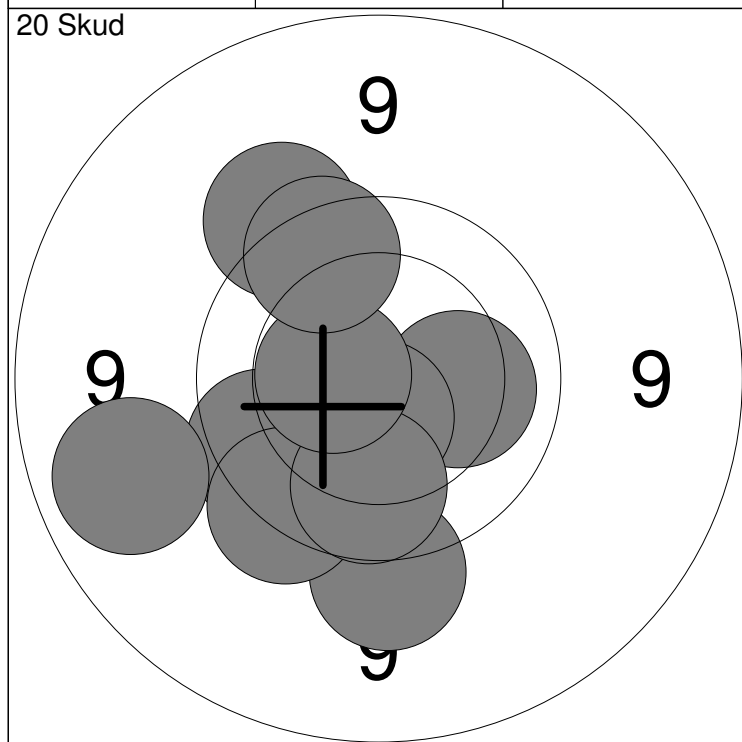


11:	10.8x	→
12:	10.6x	↓
13:	10.6x	↗
14:	10.8x	↘
15:	10.8x	↙
16:	9.6	↙
17:	10.5x	↙
18:	10.0	↙
19:	10.0	↙
20:	10.2	↙
Serie	99.0	
Total	196.0	



1: 9.6 ↓	6: 10.2 ↓	Serie	94
2: 10.4 →	7: 9.6 ↓		
3: 10.4 ↗	8: 9.4 ↓	Total	0
4: 10.2 ←	9: 9.7 ↓		
5: 9.7 ↓	10: 9.7 ↙		

11: 9.8 ←	Serie	27
12: 9.0 →		
13: 9.7 ↖	Total	0



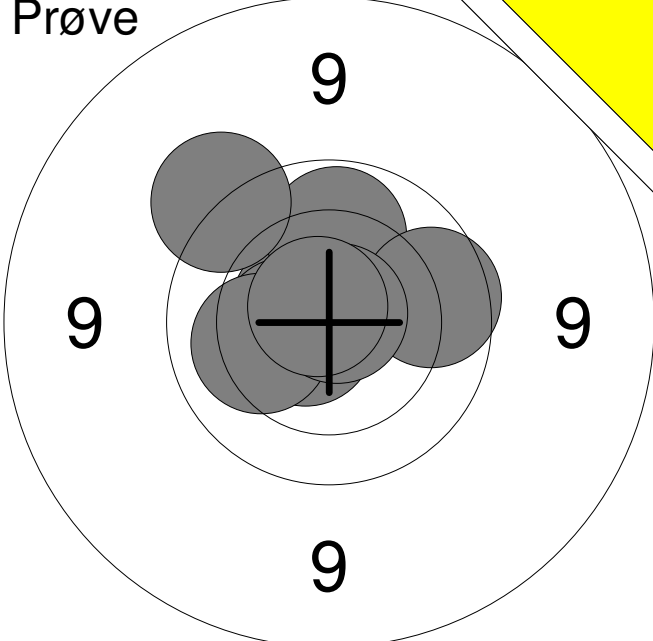
1: 9.8 ←	6: 10.6x ↓	Serie	93
2: 10.2 →	7: 9.9 ↓		
3: 9.5 ↓	8: 9.5 ↗	Total	93
4: 9.7 ↓	9: 10.5x ←		
5: 9.1 ←	10: 9.8 ↗		

11: 9.9 ←	16: 10.1 ↑	Serie	97
12: 10.5 ↓	17: 10.4 ←		
13: 10.6x →	18: 9.2 ↗	Total	190
14: 10.1 ↘	19: 9.7 ←		
15: 10.0 ↑	20: 10.0 ↓		

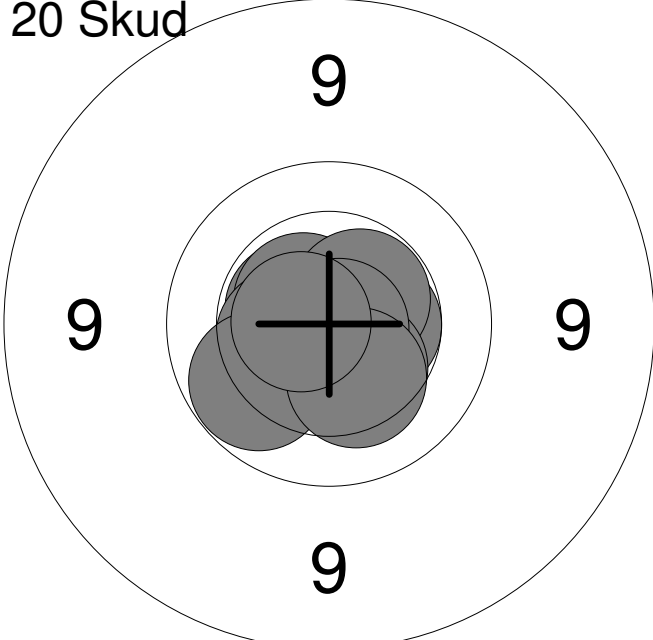
Hold 31	Skive 10	Lonnie Heby Pedersen	
-------------------	--------------------	-----------------------------	--

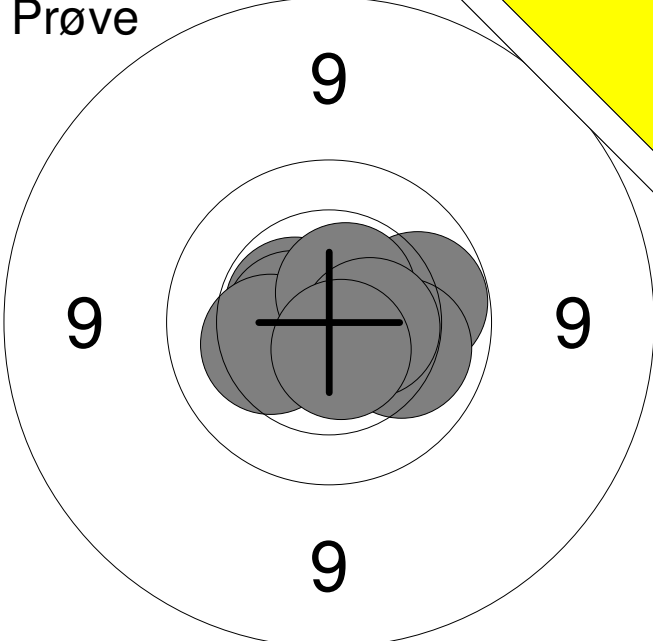
15m	Aalborg Skyttekreds	MB2	
-----	---------------------	-----	--

30.01.2015	Nordjysk mesterskab 2015	Aalborg Skyttekreds	
------------	--------------------------	---------------------	--

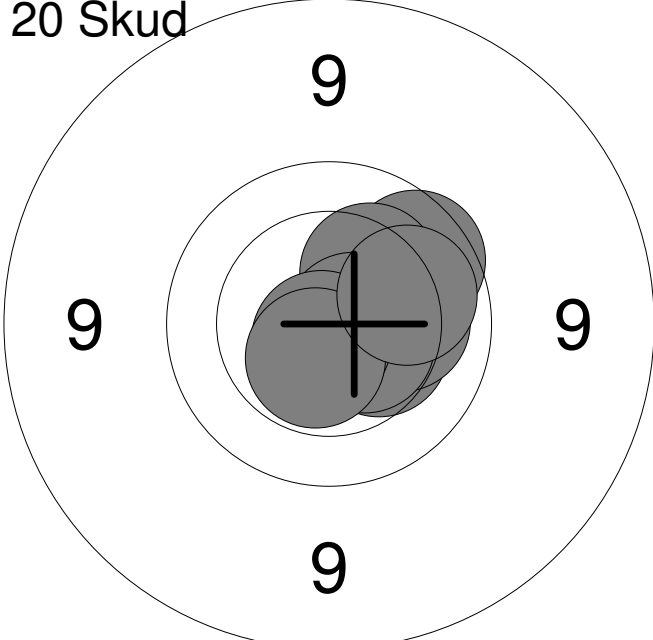
Prøve 	1:	10.6x	↖
	2:	10.5x	←
	3:	10.0	↑
	4:	9.5	↖
	5:	10.8x	↑
	6:	10.7x	↙
	7:	9.9	→
	8:	10.2	←
	9:	10.8x	↗
	10:	10.7x	↖
	Serie		98.0
Total		0.0	

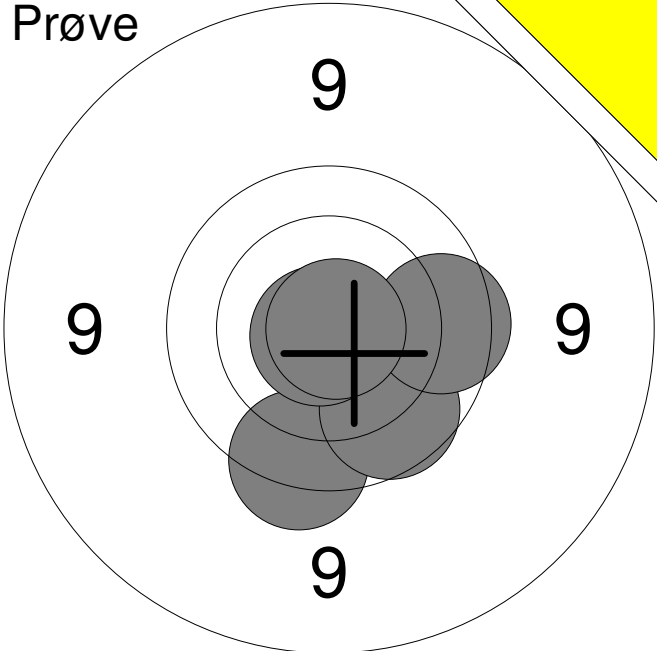
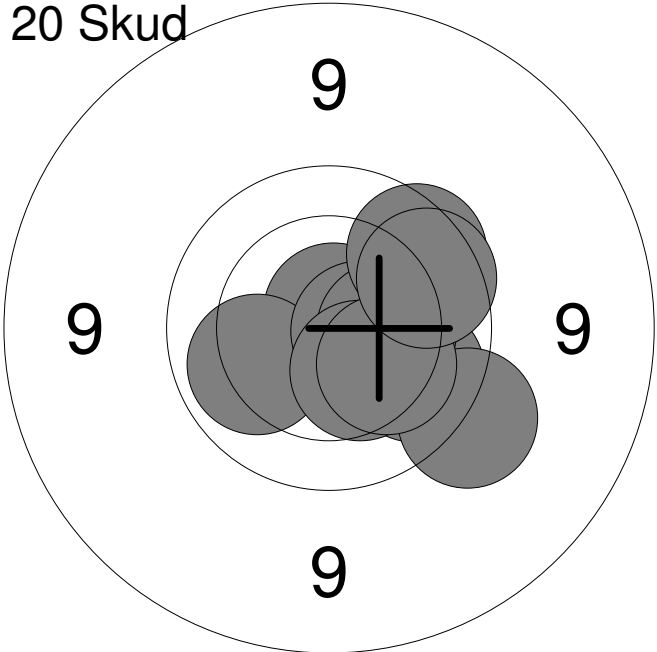
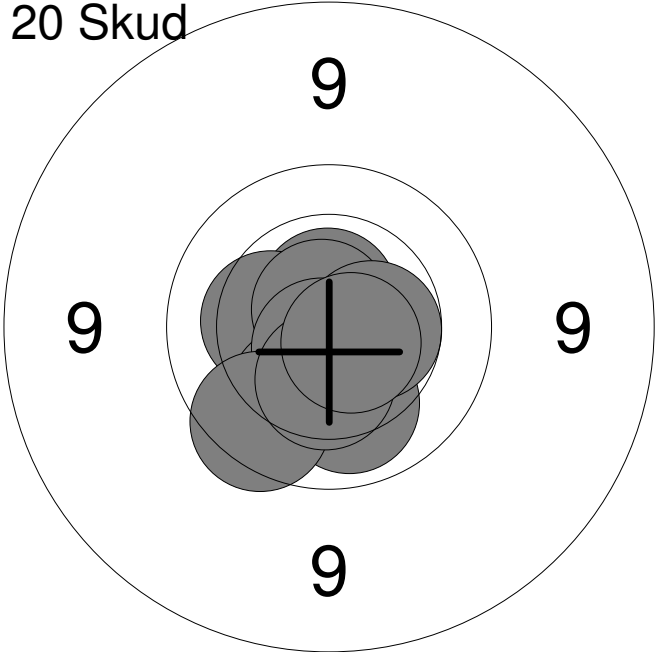
20 Skud 	1:	10.2	↗
	2:	10.6x	↑
	3:	10.6x	↑
	4:	10.3	↖
	5:	10.4	↗
	6:	10.6x	→
	7:	10.1	→
	8:	9.8	↑
	9:	10.1	↗
	10:	10.2	→
	Serie		99.0
Total		99.0	

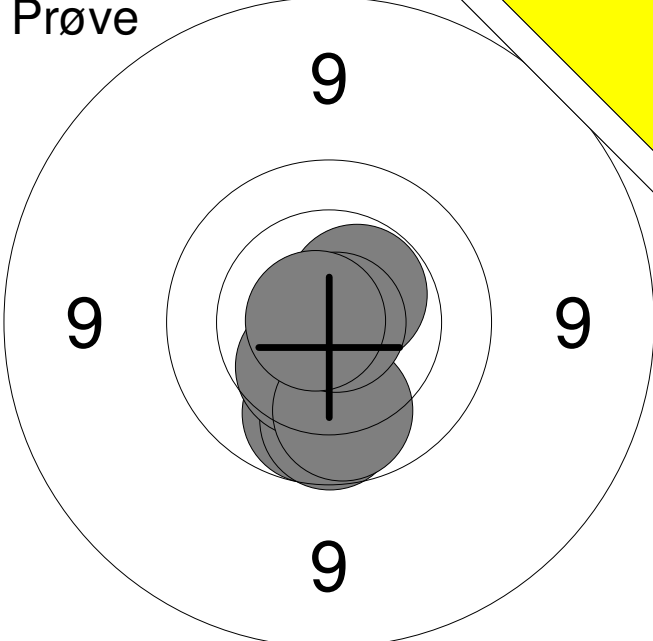
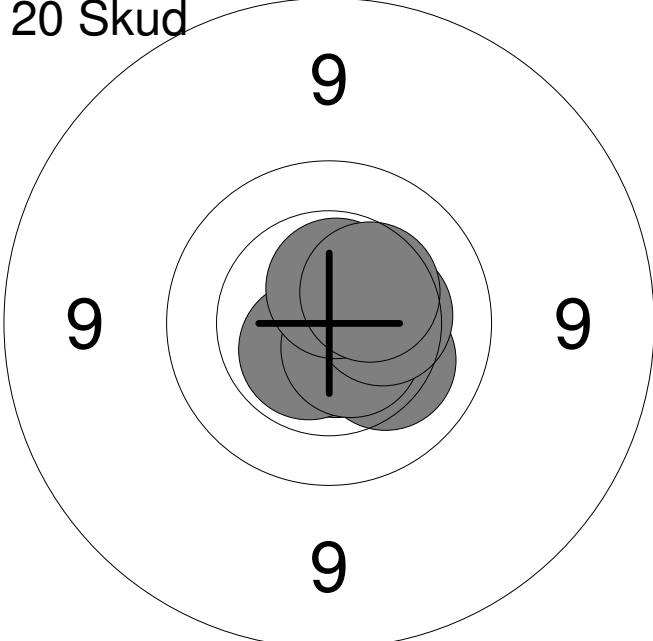
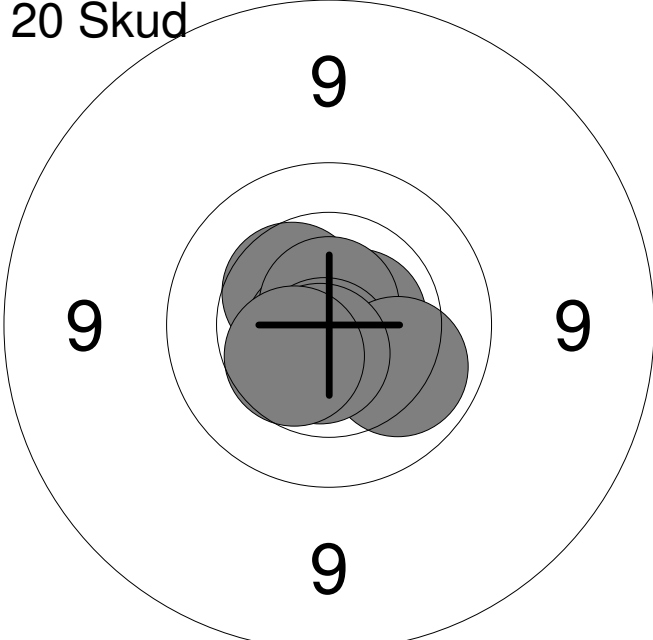
20 Skud 	11:	10.5	→
	12:	10.6x	↖
	13:	10.6x	↖
	14:	10.5	←
	15:	10.5x	↗
	16:	10.4	↘
	17:	10.8x	→
	18:	10.0	↙
	19:	10.3	↘
	20:	10.6x	←
	Serie		100.0
Total		199.0	

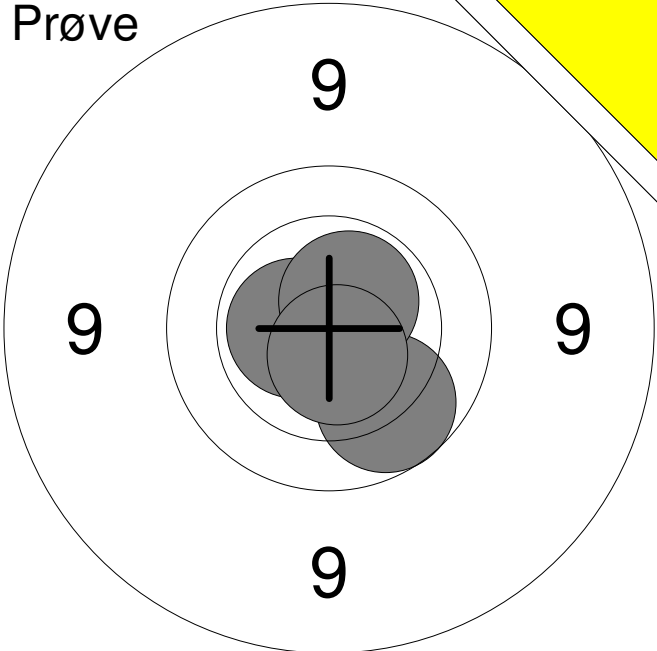
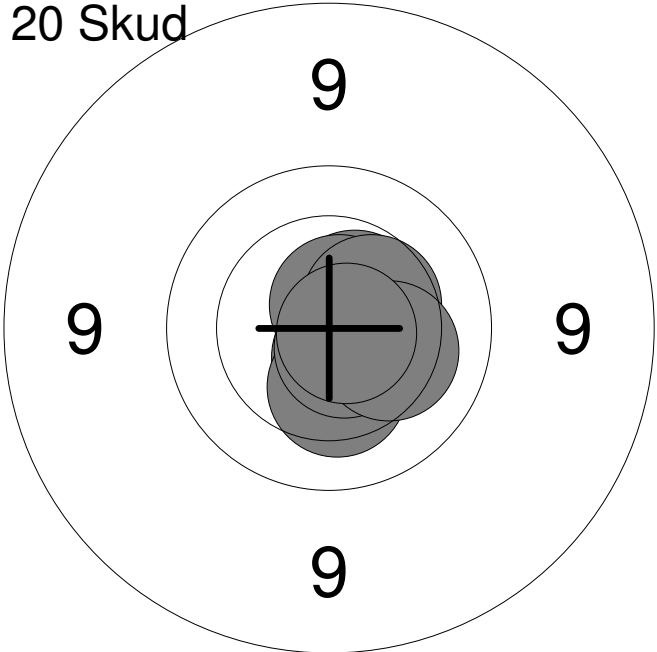
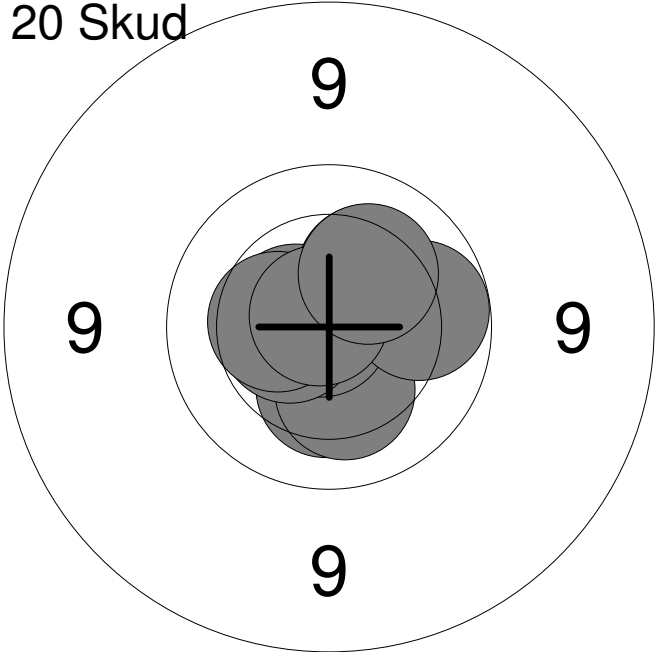
Prøve 	1:	10.5x	↗
	2:	10.6x	←
	3:	10.6x	→
	4:	10.0	→
	5:	10.3	←
	6:	10.6x	↗
	7:	10.1	↘
	8:	10.5x	→
	9:	10.6x	↓
	Serie		90.0
Total		0.0	

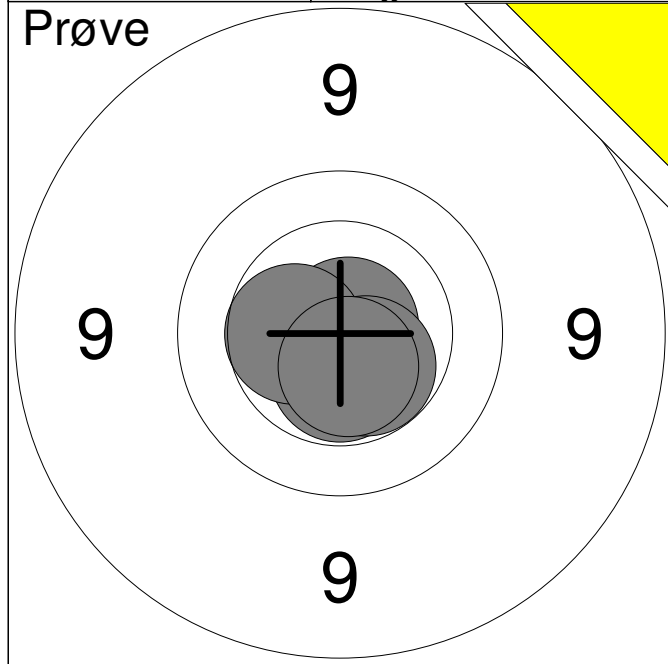
20 Skud 	1:	10.8x	↓
	2:	10.5x	↓
	3:	10.3	→
	4:	10.4	↖
	5:	10.7x	↓
	6:	10.4	↓
	7:	10.5	↗
	8:	10.9x	↓
	9:	10.4	←
	10:	10.2	←
Serie		100.0	
Total		100.0	

20 Skud 	11:	10.3	→
	12:	9.9	↗
	13:	10.3	↗
	14:	10.4	→
	15:	10.7x	→
	16:	10.2	→
	17:	10.5x	↘
	18:	10.8x	↖
	19:	10.6x	↖
	20:	10.1	→
Serie		99.0	
Total		199.0	

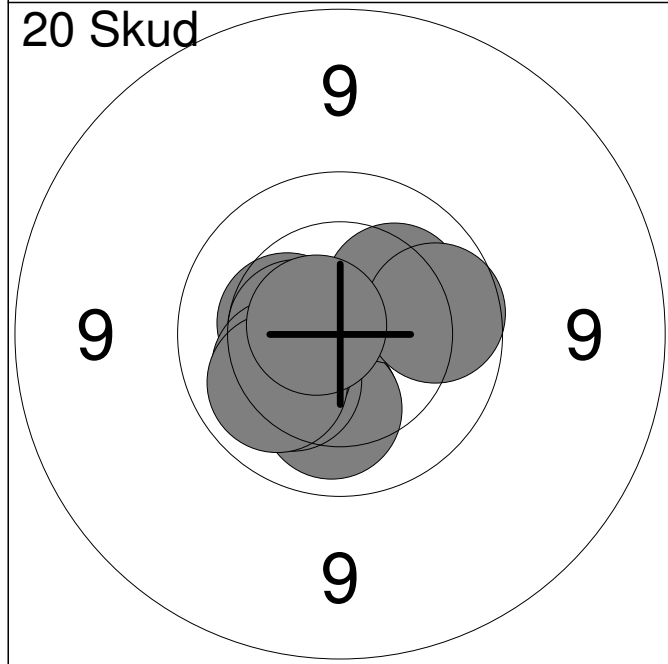
Hold	Skive	Rasmus Mikkelsen	
31	12	15m	Vadum Skf. J1
30.01.2015	Nordjysk mesterskab 2015	Aalborg Skyttekreds	
Prøve		1: 9.7	↓
		2: 9.9	↓
		3: 10.8x	↙
		4: 9.8	→
		5: 10.9x	→
	Serie	47.0	
	Total	0.0	
20 Skud		1: 9.9	↘
		2: 9.5	↘
		3: 10.8x	↑
		4: 10.1	↙
		5: 10.6x	→
		6: 10.3	→
		7: 10.4	↓
		8: 10.2	↘
		9: 9.8	↗
		10: 9.8	↗
	Serie	96.0	
	Total	96.0	
20 Skud		11: 10.6x	↑
		12: 10.3	↙
		13: 10.2	↓
		14: 10.8x	↑
		15: 10.1	↓
		16: 10.7x	↓
		17: 9.8	↙
		18: 10.5	→
		19: 10.4	↓
		20: 10.7x	↘
	Serie	99.0	
	Total	195.0	

Hold 32	Skive 1	Trine Herskind		
15m	Vodskov Skytteforening		MB1	
30.01.2015	Nordjysk mesterskab 2015		Aalborg Skyttekreds	
Prøve		1:	10.0	↓
		2:	10.9x	↗
		3:	10.5x	↗
		4:	9.9	↓
		5:	10.4	↙
		6:	10.0	↓
		7:	10.9x	→
		8:	10.8x	←
		Serie	79.0	
		Total	0.0	
20 Skud		1:	10.9x	↓
		2:	10.7x	↗
		3:	10.7x	↓
		4:	10.2	↘
		5:	10.6x	↙
		6:	10.6x	→
		7:	10.6x	↓
		8:	10.4	→
		9:	10.6x	↗
		10:	10.4	↗
		Serie	100.0	
		Total	100.0	
20 Skud		11:	10.7x	←
		12:	10.4	↗
		13:	10.8x	↓
		14:	10.8x	↙
		15:	10.7x	→
		16:	10.8x	↗
		17:	10.7x	↓
		18:	10.1	↘
		19:	10.6x	↓
		20:	10.4	↙
		Serie	100.0	
		Total	200.0	

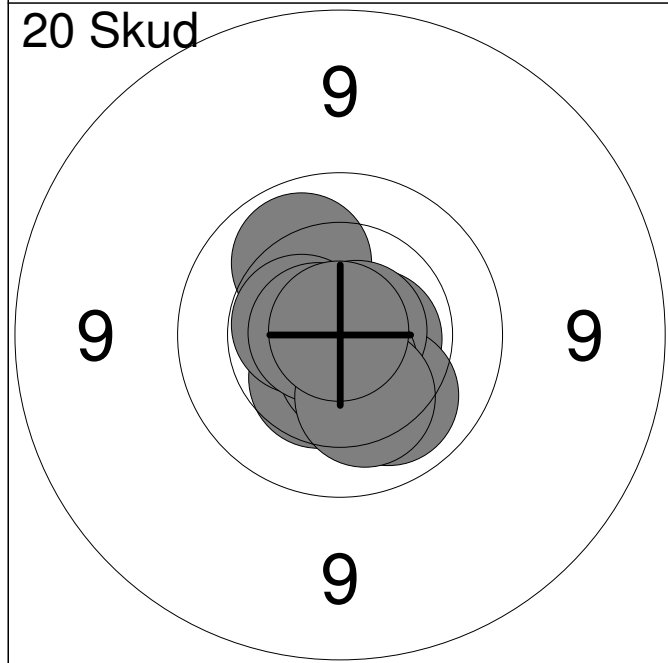
Hold	Skive	Louise Karstoft	
32	2		
15m	Vodskov Skytteforening	MB1	
30.01.2015	Nordjysk mesterskab 2015	Aalborg Skyttekreds	
Prøve		1: 9.9	↘
		2: 10.9x	↗
		3: 10.6x	←
		4: 10.6x	↗
		5: 10.6x	↘
		Serie	49.0
		Total	0.0
20 Skud		1: 10.5x	↗
		2: 10.6x	↘
		3: 10.3	↘
		4: 10.7x	↗
		5: 10.5x	→
		6: 10.7x	↘
		7: 10.4	↗
		8: 10.7x	↘
		9: 10.3	→
		10: 10.8x	→
		Serie	100.0
		Total	100.0
20 Skud		11: 10.6x	↖
		12: 10.3	↗
		13: 10.3	↘
		14: 10.2	↘
		15: 10.9x	←
		16: 10.5x	←
		17: 10.4	←
		18: 10.0	→
		19: 10.8x	↗
		20: 10.2	↗
		Serie	100.0
		Total	200.0



1:	10.8x	↗
2:	10.5x	↓
3:	10.5x	↘
4:	10.5	←
5:	10.6x	↓
Serie		50.0
Total		0.0



1:	10.4	←
2:	10.2	↓
3:	10.5	←
4:	10.1	↓
5:	10.2	↙
6:	10.2	↙
7:	10.1	↙
8:	10.2	↗
9:	9.9	→
10:	10.7x	←
Serie		99.0
Total		99.0

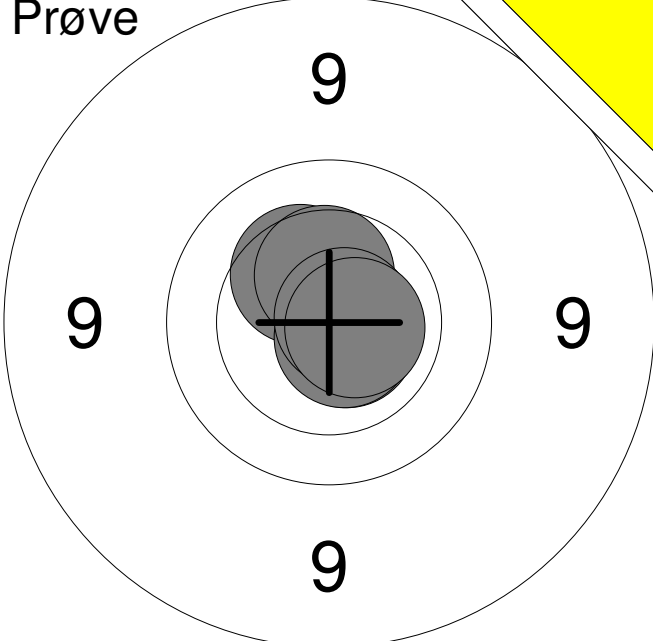


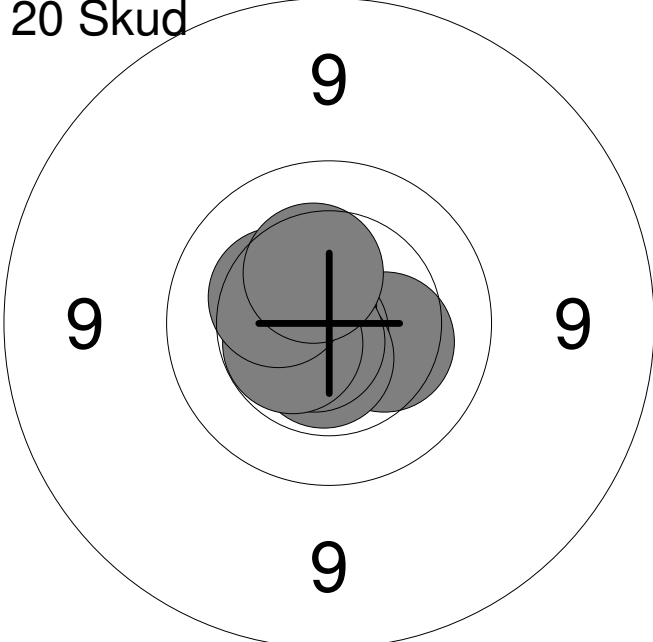
11:	10.1	↗
12:	10.4	↓
13:	10.6x	→
14:	10.5x	←
15:	10.1	↓
16:	10.8x	→
17:	10.6x	↓
18:	10.7x	←
19:	10.2	↘
20:	10.9x	↗
Serie		100.0
Total		199.0

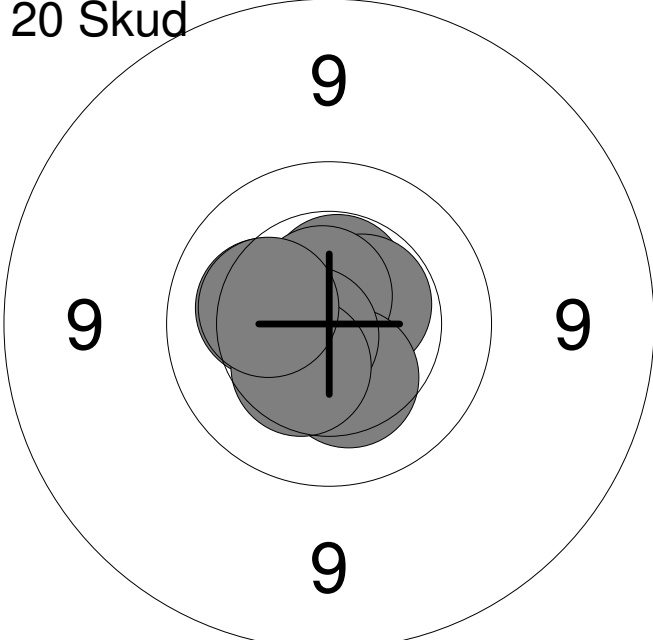
Hold 32	Skive 4	Magnus Larsen	
-------------------	-------------------	----------------------	--

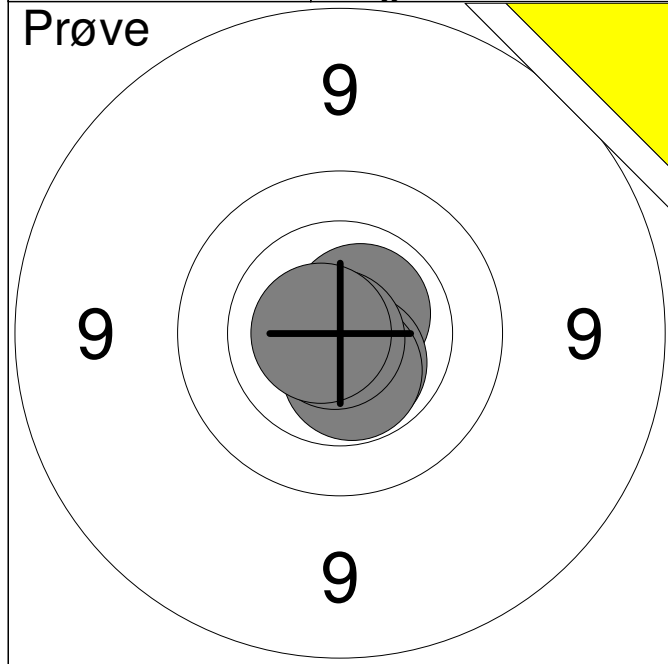
15m	Vodskov Skytteforening	MB1	
-----	------------------------	-----	--

30.01.2015	Nordjysk mesterskab 2015	Aalborg Skyttekreds	
------------	--------------------------	---------------------	--

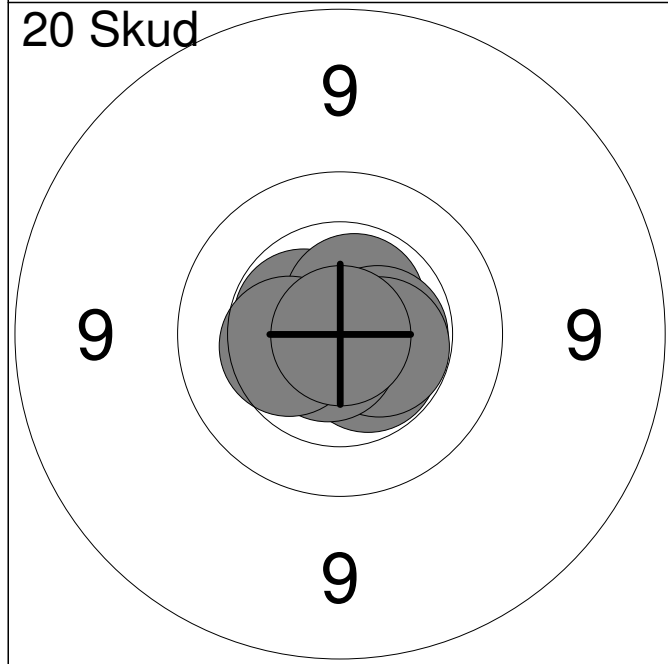
Prøve 	1: 10.7x ↘ 2: 10.3 ↗ 3: 10.7x ↘ 4: 10.4 ↑ 5: 10.8x → 6: 10.7x →
	Serie 60.0 Total 0.0

20 Skud 	1: 10.3 → 2: 10.7x ↘ 3: 10.7x ← 4: 10.8x ↘ 5: 10.6x ↓ 6: 10.6x ↗ 7: 10.7x ↘ 8: 10.5x ← 9: 10.3 ↗ 10: 10.4 ↑
	Serie 100.0 Total 100.0

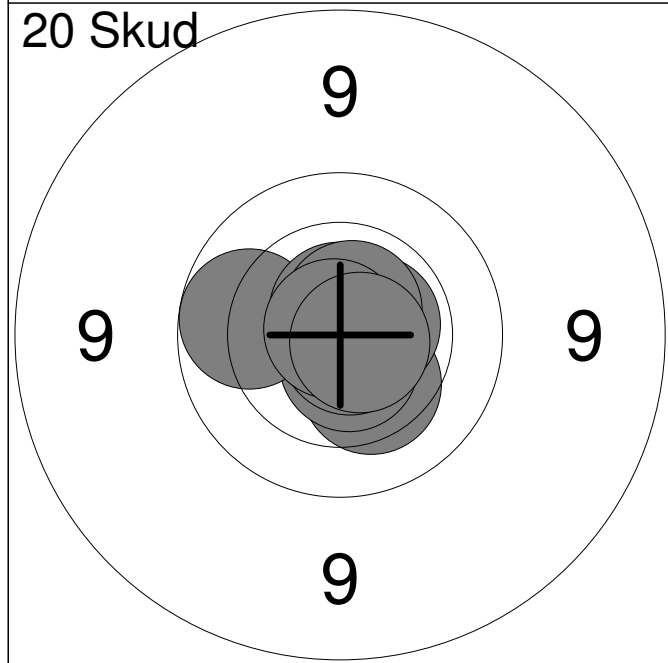
20 Skud 	11: 10.5x ↑ 12: 10.7x ↑ 13: 10.5 ← 14: 10.5x → 15: 10.2 ← 16: 10.6x ↑ 17: 10.3 ↓ 18: 10.7x ← 19: 10.4 ↘ 20: 10.3 ←
	Serie 100.0 Total 200.0



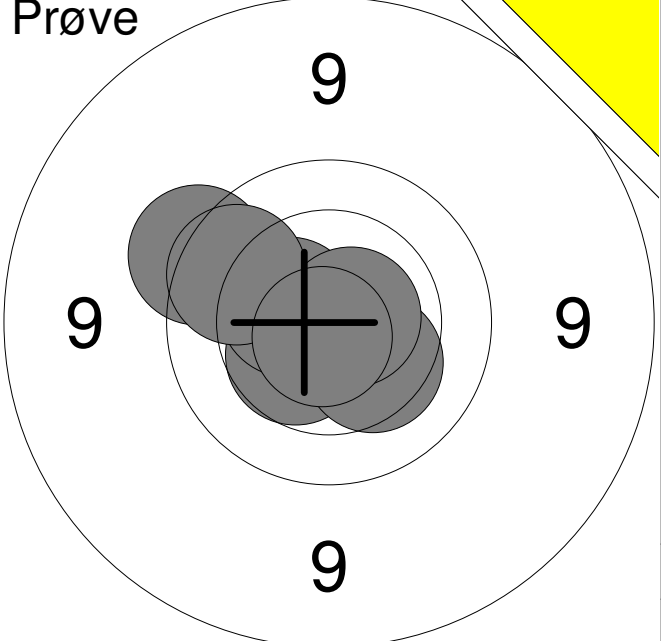
1:	10.7x	↘
2:	10.6x	↗
3:	10.6x	↘
4:	10.5x	↘
5:	10.9x	↙
6:	10.7x	←
Serie		60.0
Total		0.0

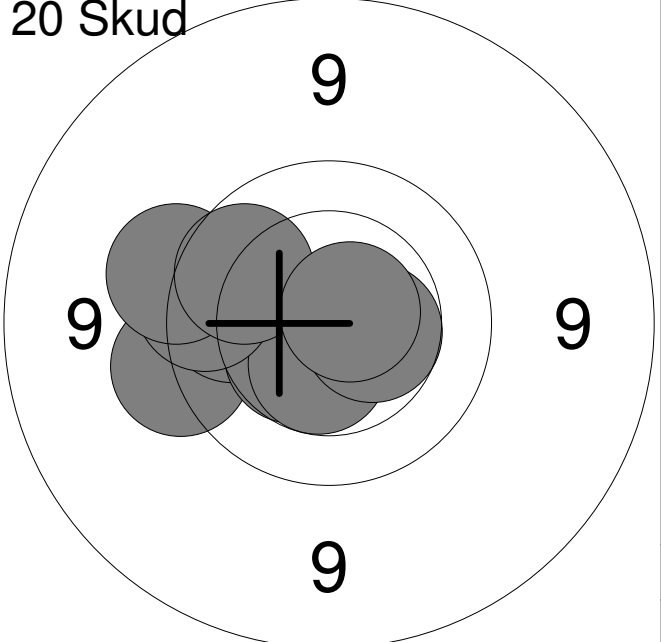


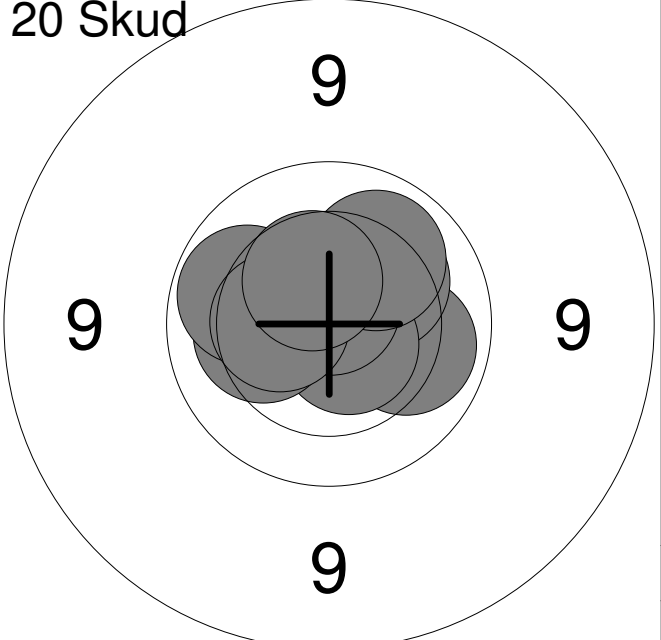
1:	10.5x	↘
2:	10.9x	↘
3:	10.8x	↗
4:	10.5x	↖
5:	10.6x	↗
6:	10.5x	→
7:	10.5x	→
8:	10.7x	↘
9:	10.4	←
10:	10.9x	↘
Serie		100.0
Total		100.0



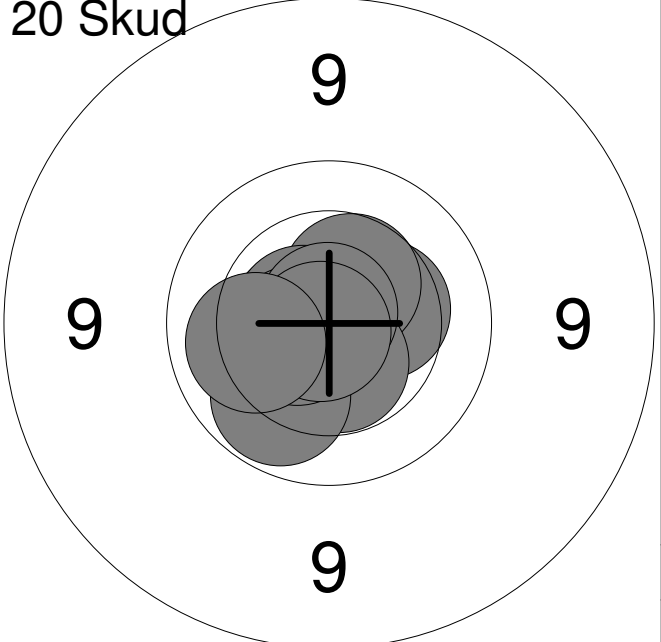
11:	10.3	↘
12:	10.6x	↘
13:	10.8x	↗
14:	10.8x	↘
15:	10.6x	→
16:	10.0	←
17:	10.7x	↗
18:	10.7x	↗
19:	10.9x	↗
20:	10.7x	↘
Serie		100.0
Total		200.0

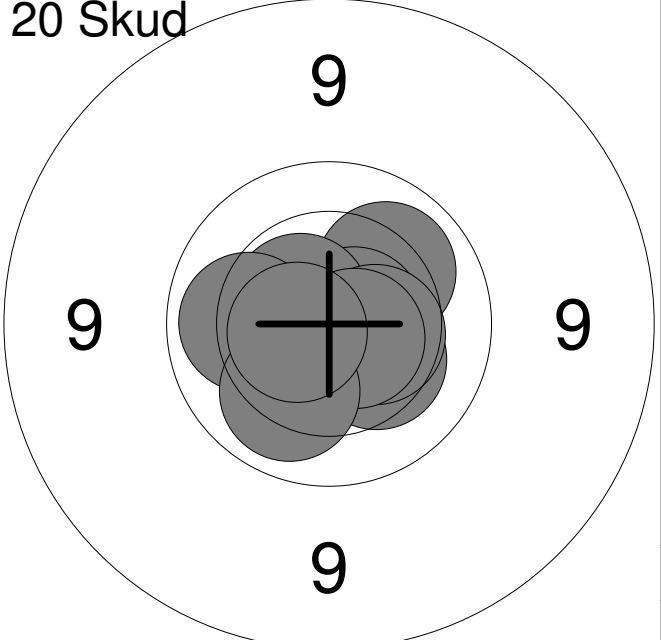
<p>Prøve</p> 	<table style="width:100%; border-collapse: collapse;"> <tr><td style="width:10%;">1:</td><td style="width:70%;">10.4</td><td style="width:20%; text-align: right;">↙</td></tr> <tr><td>2:</td><td>9.6</td><td style="text-align: right;">↗</td></tr> <tr><td>3:</td><td>10.3</td><td style="text-align: right;">↘</td></tr> <tr><td>4:</td><td>10.5</td><td style="text-align: right;">↖</td></tr> <tr><td>5:</td><td>10.7x</td><td style="text-align: right;">→</td></tr> <tr><td>6:</td><td>9.9</td><td style="text-align: right;">↖</td></tr> <tr><td>7:</td><td>10.8x</td><td style="text-align: right;">↘</td></tr> </table>	1:	10.4	↙	2:	9.6	↗	3:	10.3	↘	4:	10.5	↖	5:	10.7x	→	6:	9.9	↖	7:	10.8x	↘
1:	10.4	↙																				
2:	9.6	↗																				
3:	10.3	↘																				
4:	10.5	↖																				
5:	10.7x	→																				
6:	9.9	↖																				
7:	10.8x	↘																				
<table style="width:100%; border-collapse: collapse;"> <tr> <td style="width:80%;">Serie</td> <td style="text-align: right;">68.0</td> </tr> <tr> <td>Total</td> <td style="text-align: right;">0.0</td> </tr> </table>		Serie	68.0	Total	0.0																	
Serie	68.0																					
Total	0.0																					

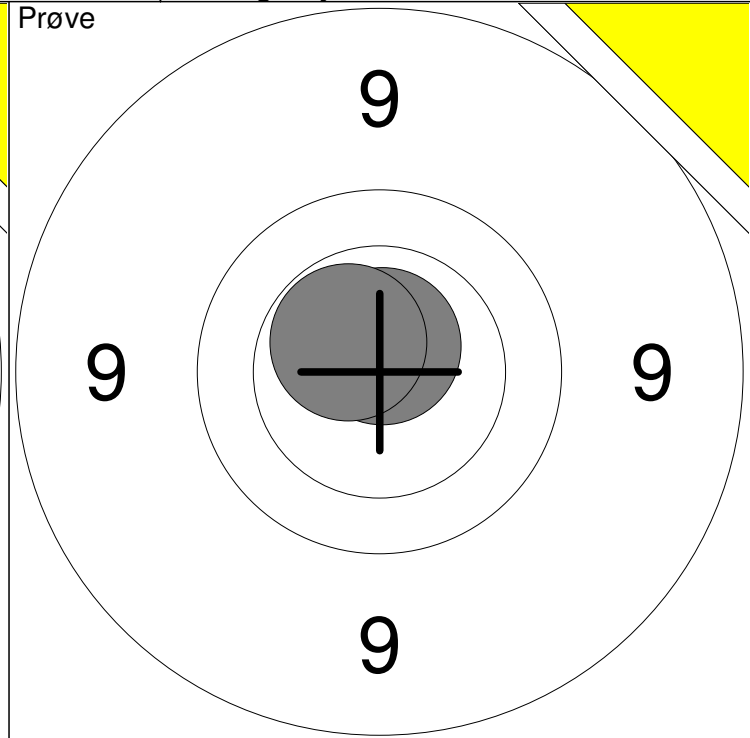
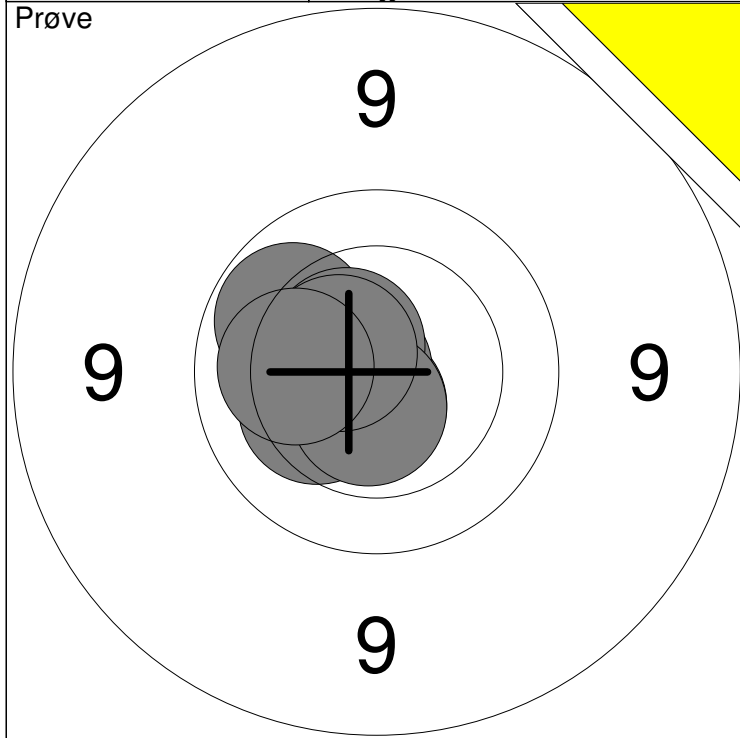
<p>20 Skud</p> 	<table style="width:100%; border-collapse: collapse;"> <tr><td style="width:10%;">1:</td><td style="width:70%;">10.5</td><td style="width:20%; text-align: right;">←</td></tr> <tr><td>2:</td><td>9.6</td><td style="text-align: right;">←</td></tr> <tr><td>3:</td><td>9.9</td><td style="text-align: right;">←</td></tr> <tr><td>4:</td><td>10.5</td><td style="text-align: right;">↙</td></tr> <tr><td>5:</td><td>10.5x</td><td style="text-align: right;">↘</td></tr> <tr><td>6:</td><td>9.7</td><td style="text-align: right;">←</td></tr> <tr><td>7:</td><td>9.5</td><td style="text-align: right;">↖</td></tr> <tr><td>8:</td><td>9.9</td><td style="text-align: right;">↗</td></tr> <tr><td>9:</td><td>10.5</td><td style="text-align: right;">→</td></tr> <tr><td>10:</td><td>10.7x</td><td style="text-align: right;">↗</td></tr> </table>	1:	10.5	←	2:	9.6	←	3:	9.9	←	4:	10.5	↙	5:	10.5x	↘	6:	9.7	←	7:	9.5	↖	8:	9.9	↗	9:	10.5	→	10:	10.7x	↗
1:	10.5	←																													
2:	9.6	←																													
3:	9.9	←																													
4:	10.5	↙																													
5:	10.5x	↘																													
6:	9.7	←																													
7:	9.5	↖																													
8:	9.9	↗																													
9:	10.5	→																													
10:	10.7x	↗																													
<table style="width:100%; border-collapse: collapse;"> <tr> <td style="width:80%;">Serie</td> <td style="text-align: right;">95.0</td> </tr> <tr> <td>Total</td> <td style="text-align: right;">95.0</td> </tr> </table>		Serie	95.0	Total	95.0																										
Serie	95.0																														
Total	95.0																														

<p>20 Skud</p> 	<table style="width:100%; border-collapse: collapse;"> <tr><td style="width:10%;">11:</td><td style="width:70%;">10.1</td><td style="width:20%; text-align: right;">→</td></tr> <tr><td>12:</td><td>10.2</td><td style="text-align: right;">↗</td></tr> <tr><td>13:</td><td>10.6x</td><td style="text-align: right;">←</td></tr> <tr><td>14:</td><td>10.6x</td><td style="text-align: right;">↘</td></tr> <tr><td>15:</td><td>10.7x</td><td style="text-align: right;">↑</td></tr> <tr><td>16:</td><td>10.2</td><td style="text-align: right;">←</td></tr> <tr><td>17:</td><td>10.0</td><td style="text-align: right;">↖</td></tr> <tr><td>18:</td><td>10.1</td><td style="text-align: right;">↗</td></tr> <tr><td>19:</td><td>10.4</td><td style="text-align: right;">←</td></tr> <tr><td>20:</td><td>10.4</td><td style="text-align: right;">↖</td></tr> </table>	11:	10.1	→	12:	10.2	↗	13:	10.6x	←	14:	10.6x	↘	15:	10.7x	↑	16:	10.2	←	17:	10.0	↖	18:	10.1	↗	19:	10.4	←	20:	10.4	↖
11:	10.1	→																													
12:	10.2	↗																													
13:	10.6x	←																													
14:	10.6x	↘																													
15:	10.7x	↑																													
16:	10.2	←																													
17:	10.0	↖																													
18:	10.1	↗																													
19:	10.4	←																													
20:	10.4	↖																													
<table style="width:100%; border-collapse: collapse;"> <tr> <td style="width:80%;">Serie</td> <td style="text-align: right;">100.0</td> </tr> <tr> <td>Total</td> <td style="text-align: right;">195.0</td> </tr> </table>		Serie	100.0	Total	195.0																										
Serie	100.0																														
Total	195.0																														

Prøve 	1:	10.2	↗
	2:	9.9	↙
	3:	10.1	←
	4:	10.4	↘
	5:	10.6x	↗
	6:	10.8x	↗
	7:	9.8	↘
	8:	10.4	↘
	9:	9.8	↙
	10:	10.2	↗
	Serie		97.0
Total		0.0	

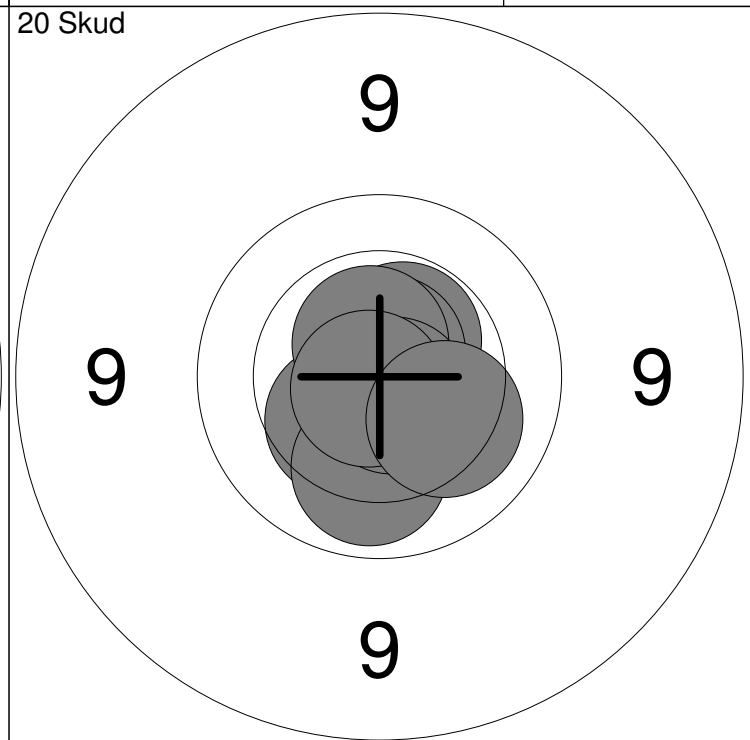
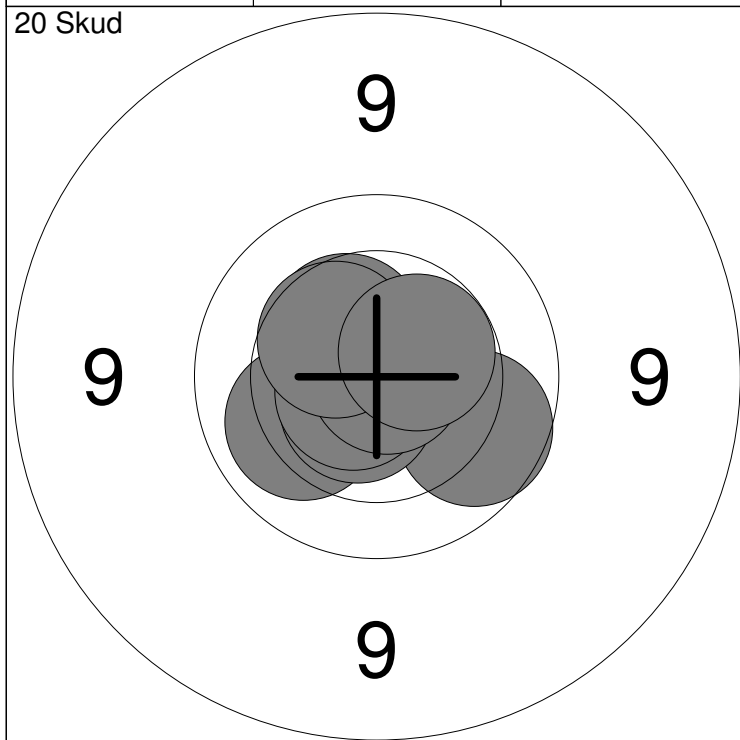
20 Skud 	1:	10.6x	←
	2:	10.4	→
	3:	10.5	↗
	4:	10.7x	←
	5:	10.5x	↘
	6:	10.0	↘
	7:	10.6x	←
	8:	10.8x	↗
	9:	10.8x	↘
	10:	10.1	←
	Serie		100.0
Total		100.0	

20 Skud 	11:	10.1	↗
	12:	10.7x	→
	13:	10.8x	↘
	14:	10.6x	↗
	15:	10.3	↘
	16:	10.4	→
	17:	10.1	←
	18:	10.6x	↘
	19:	10.1	↘
	20:	10.6x	←
	Serie		100.0
Total		200.0	



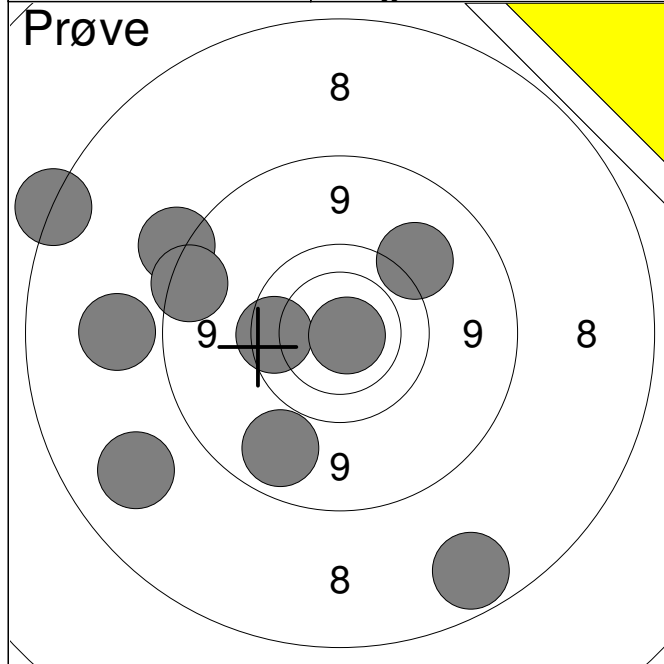
1: 10.6x ←	6: 10.3 ←	Serie	100
2: 10.6x ↓	7: 10.6x ↗		
3: 10.5 ←	8: 10.6x ↓	Total	0
4: 10.7x ←	9: 10.5x ↖		
5: 10.0 ↖	10: 10.2 ←		

11: 10.7x ↑	Serie	20
12: 10.5x ↖		
Total		0

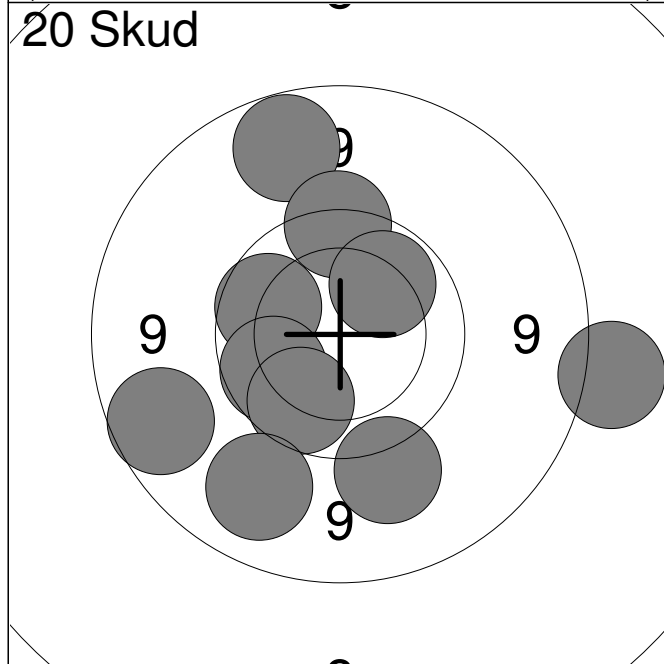


1: 9.9 →	6: 10.7x ←	Serie	99
2: 10.7x ↑	7: 10.4 ↗		
3: 10.9x ↑	8: 10.8x →	Total	99
4: 10.1 ←	9: 10.4 ↖		
5: 10.6x ↙	10: 10.5x ↗		

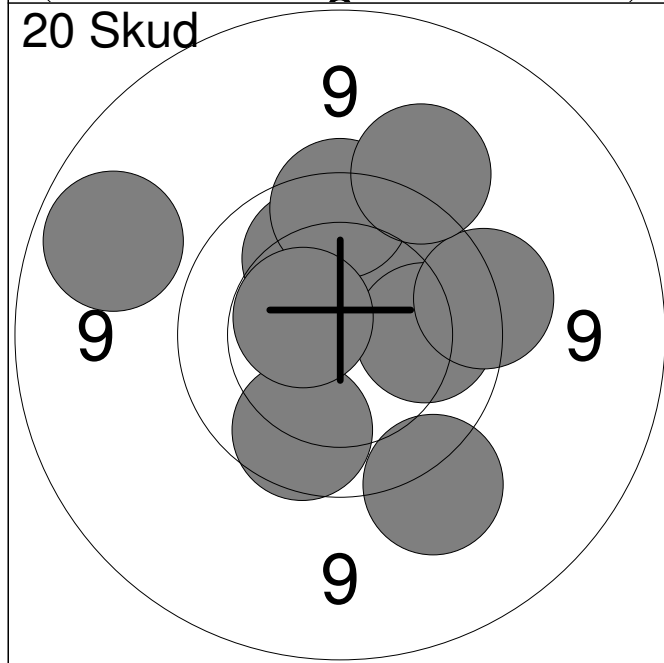
11: 10.6x ↓	16: 10.6x ↑	Serie	100
12: 10.4 ↓	17: 10.1 ↓		
13: 10.7x →	18: 10.7x ↓	Total	199
14: 10.5x ↗	19: 10.8x ↙		
15: 10.7x ↑	20: 10.2 ↓		



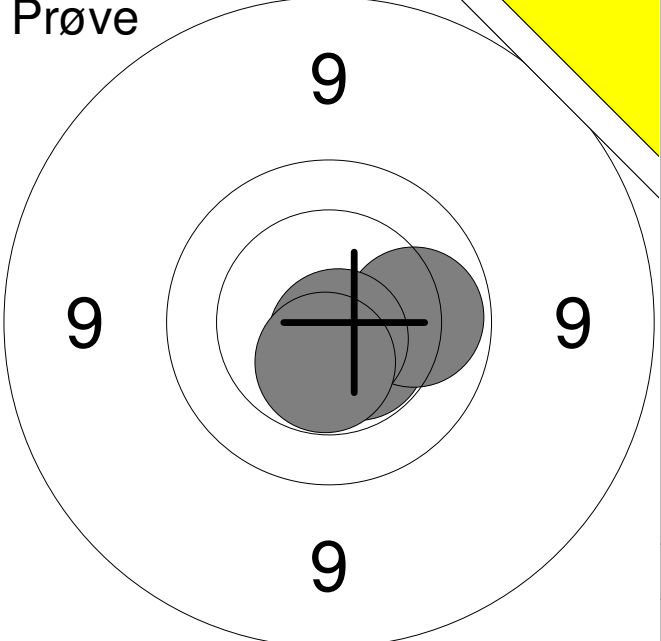
1:	9.1	↙
2:	8.2	↙
3:	8.0	↙
4:	8.3	←
5:	7.7	↗
6:	9.8	←
7:	9.3	↗
8:	8.6	↗
9:	8.8	↗
10:	10.8x	→
Serie		84.0
Total		0.0

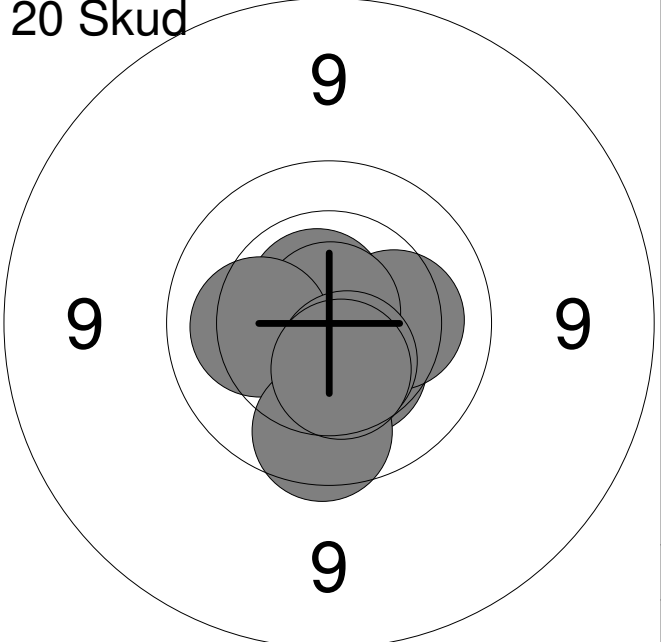


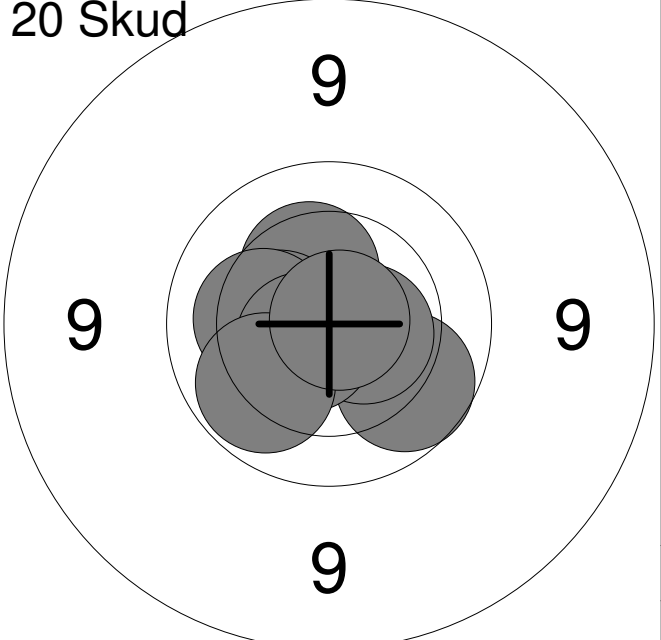
1:	9.9	↖
2:	9.0	↑
3:	9.6	↑
4:	9.4	↓
5:	8.5	→
6:	10.0	↗
7:	8.9	↖
8:	9.9	↖
9:	9.9	↙
10:	9.1	↙
Serie		89.0
Total		89.0

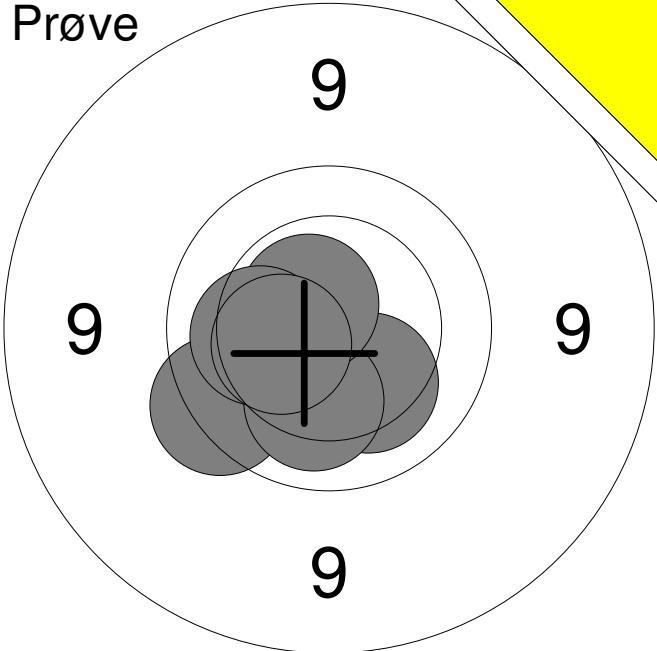
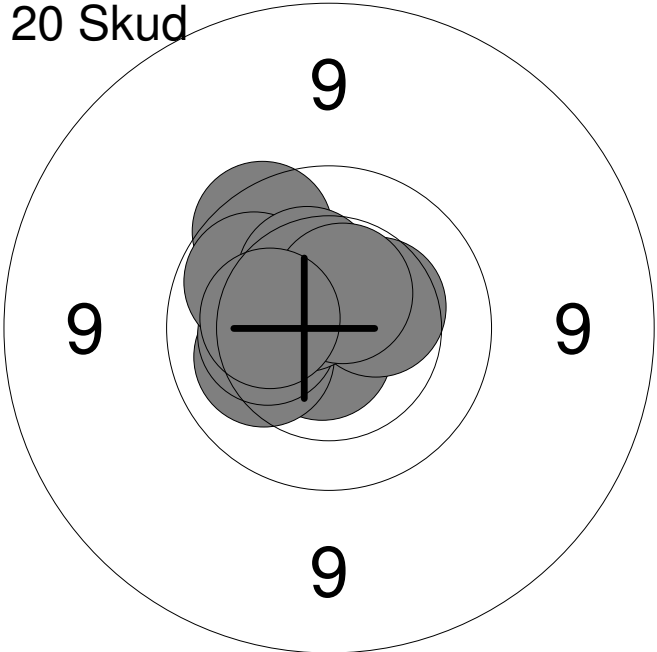
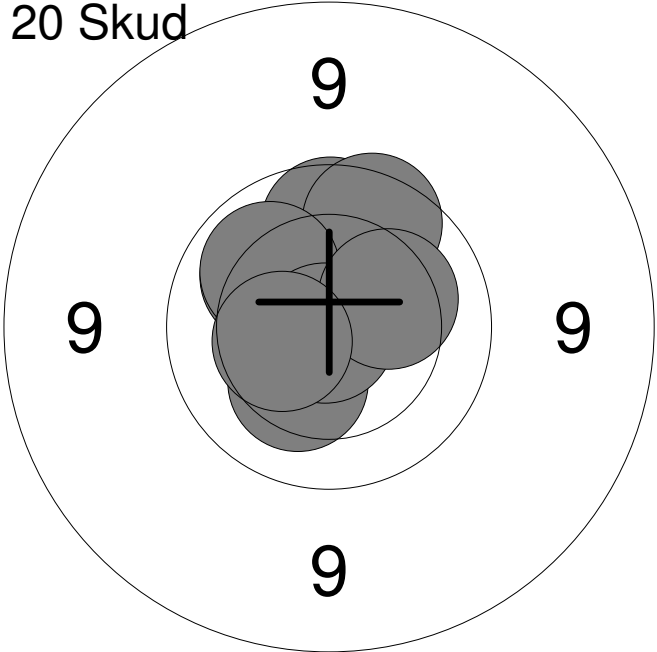


11:	10.1	↑
12:	10.0	↗
13:	9.4	↓
14:	10.0	→
15:	9.9	↙
16:	9.7	↑
17:	10.5x	↖
18:	9.6	→
19:	9.0	↖
20:	9.4	↑
Serie		94.0
Total		183.0

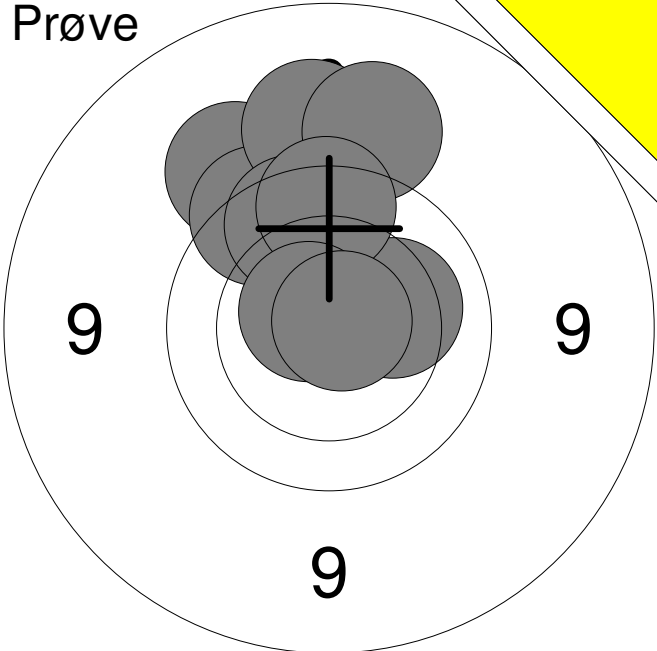
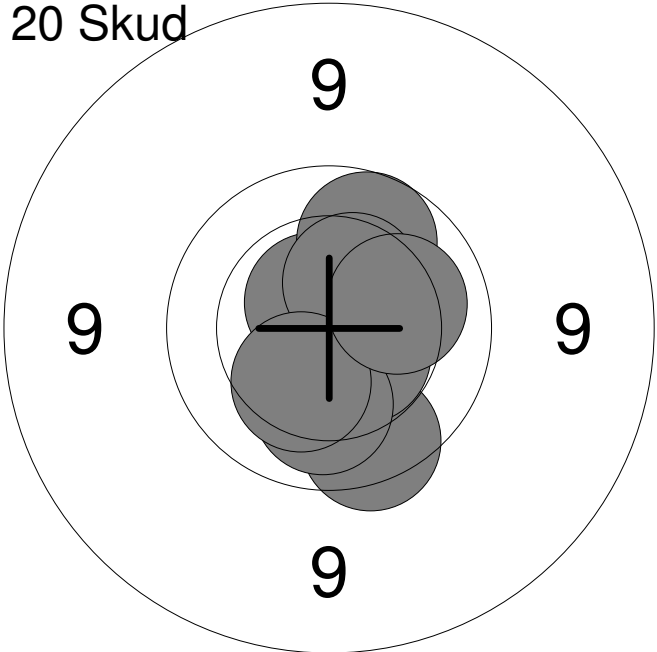
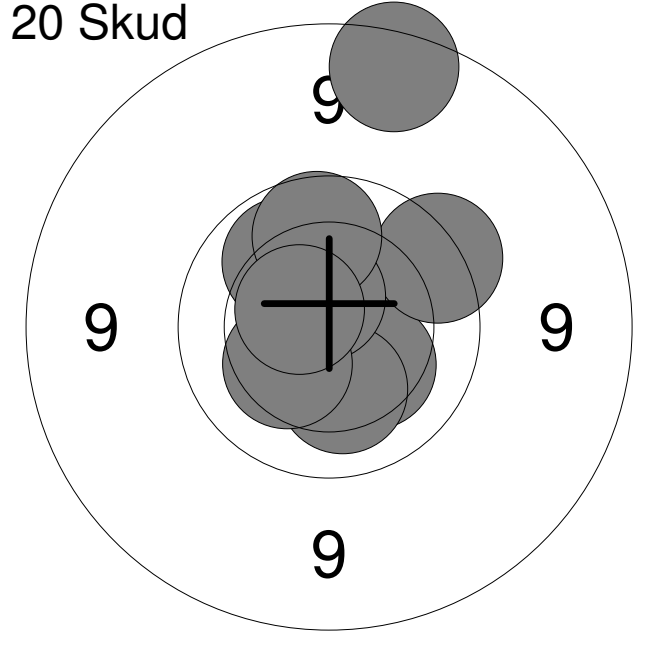
<p>Prøve</p> 	<table style="width:100%; border-collapse: collapse;"> <tr><td style="width:10%;">1:</td><td style="width:70%;">10.5x</td><td style="width:20%; text-align: right;">↘</td></tr> <tr><td>2:</td><td>10.0</td><td style="text-align: right;">→</td></tr> <tr><td>3:</td><td>10.7x</td><td style="text-align: right;">↙</td></tr> <tr><td>4:</td><td>10.5x</td><td style="text-align: right;">↘</td></tr> </table>	1:	10.5x	↘	2:	10.0	→	3:	10.7x	↙	4:	10.5x	↘
1:	10.5x	↘											
2:	10.0	→											
3:	10.7x	↙											
4:	10.5x	↘											
		Serie 40.0											
		Total 0.0											

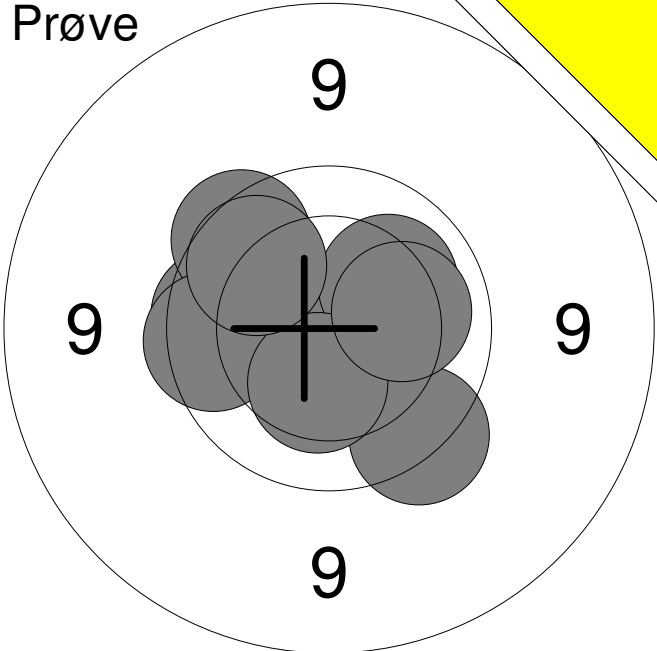
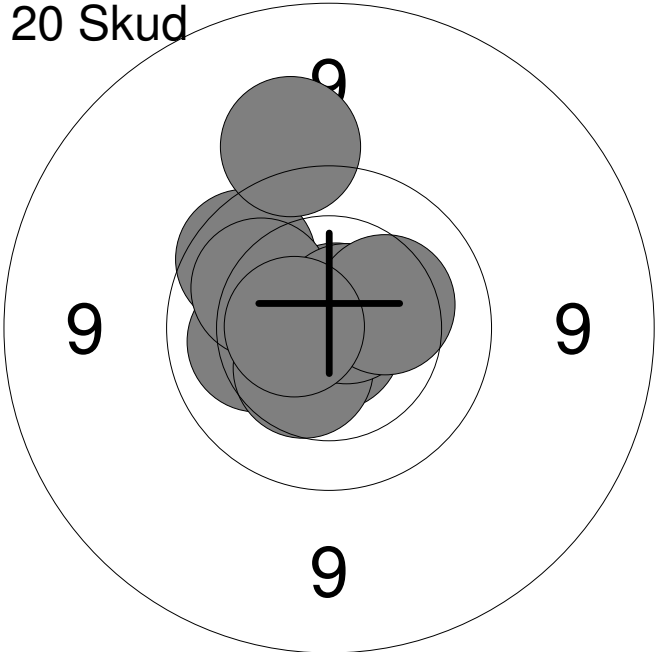
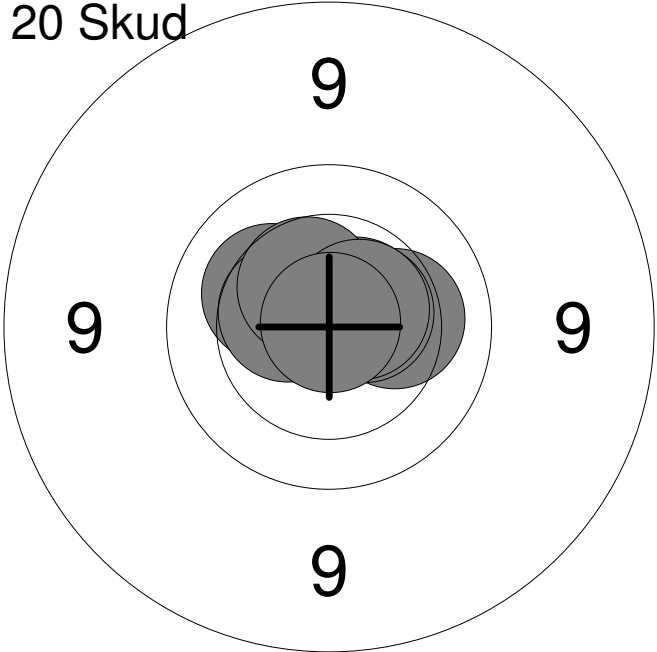
<p>20 Skud</p> 	<table style="width:100%; border-collapse: collapse;"> <tr><td style="width:10%;">1:</td><td style="width:70%;">10.4</td><td style="width:20%; text-align: right;">↘</td></tr> <tr><td>2:</td><td>10.4</td><td style="text-align: right;">←</td></tr> <tr><td>3:</td><td>10.2</td><td style="text-align: right;">→</td></tr> <tr><td>4:</td><td>10.7x</td><td style="text-align: right;">↗</td></tr> <tr><td>5:</td><td>10.9x</td><td style="text-align: right;">↘</td></tr> <tr><td>6:</td><td>10.8x</td><td style="text-align: right;">↑</td></tr> <tr><td>7:</td><td>10.2</td><td style="text-align: right;">←</td></tr> <tr><td>8:</td><td>10.5x</td><td style="text-align: right;">↘</td></tr> <tr><td>9:</td><td>9.9</td><td style="text-align: right;">↘</td></tr> <tr><td>10:</td><td>10.4</td><td style="text-align: right;">↘</td></tr> </table>	1:	10.4	↘	2:	10.4	←	3:	10.2	→	4:	10.7x	↗	5:	10.9x	↘	6:	10.8x	↑	7:	10.2	←	8:	10.5x	↘	9:	9.9	↘	10:	10.4	↘
1:	10.4	↘																													
2:	10.4	←																													
3:	10.2	→																													
4:	10.7x	↗																													
5:	10.9x	↘																													
6:	10.8x	↑																													
7:	10.2	←																													
8:	10.5x	↘																													
9:	9.9	↘																													
10:	10.4	↘																													
		Serie 99.0																													
		Total 99.0																													

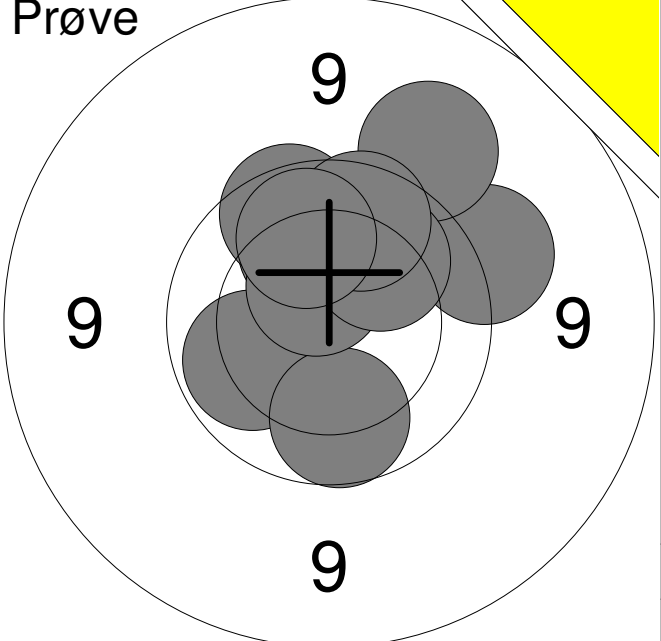
<p>20 Skud</p> 	<table style="width:100%; border-collapse: collapse;"> <tr><td style="width:10%;">11:</td><td style="width:70%;">9.9</td><td style="width:20%; text-align: right;">↘</td></tr> <tr><td>12:</td><td>10.8x</td><td style="text-align: right;">→</td></tr> <tr><td>13:</td><td>10.3</td><td style="text-align: right;">↗</td></tr> <tr><td>14:</td><td>10.4</td><td style="text-align: right;">←</td></tr> <tr><td>15:</td><td>10.2</td><td style="text-align: right;">←</td></tr> <tr><td>16:</td><td>10.8x</td><td style="text-align: right;">→</td></tr> <tr><td>17:</td><td>10.6x</td><td style="text-align: right;">↗</td></tr> <tr><td>18:</td><td>10.6x</td><td style="text-align: right;">↙</td></tr> <tr><td>19:</td><td>10.0</td><td style="text-align: right;">↙</td></tr> <tr><td>20:</td><td>10.8x</td><td style="text-align: right;">→</td></tr> </table>	11:	9.9	↘	12:	10.8x	→	13:	10.3	↗	14:	10.4	←	15:	10.2	←	16:	10.8x	→	17:	10.6x	↗	18:	10.6x	↙	19:	10.0	↙	20:	10.8x	→
11:	9.9	↘																													
12:	10.8x	→																													
13:	10.3	↗																													
14:	10.4	←																													
15:	10.2	←																													
16:	10.8x	→																													
17:	10.6x	↗																													
18:	10.6x	↙																													
19:	10.0	↙																													
20:	10.8x	→																													
		Serie 99.0																													
		Total 198.0																													

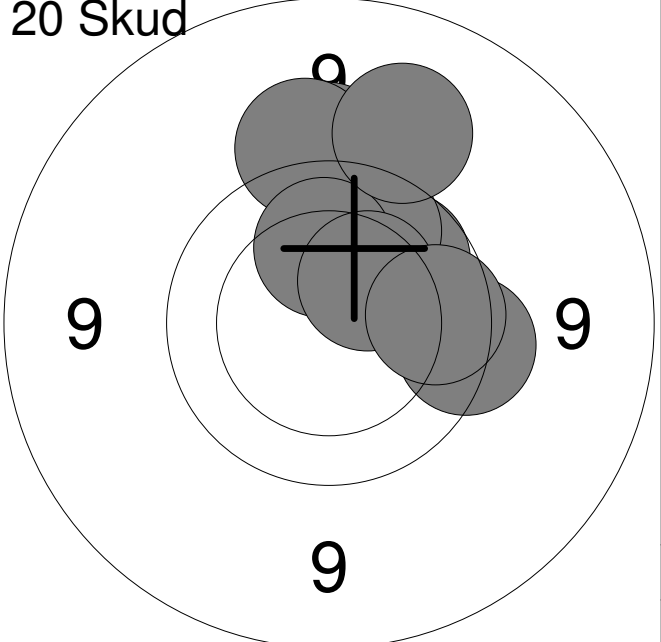
Hold	Skive	Lisa Andersen	
32	11	Frederikshavn Skyttekreds	MJ2
15m		Nordjysk mesterskab 2015	Aalborg Skyttekreds
30.01.2015			
Prøve		1: 9.7	↙
		2: 10.2	↘
		3: 10.1	↘
		4: 10.6x	↗
		5: 10.2	↖
		6: 10.4	↖
		Serie	59.0
		Total	0.0
20 Skud		1: 10.7x	↘
		2: 9.8	↗
		3: 10.2	↖
		4: 10.3	↖
		5: 10.0	↗
		6: 10.4	↗
		7: 10.5x	↗
		8: 10.3	↗
		9: 10.5x	↗
		10: 10.3	↖
		Serie	99.0
		Total	99.0
20 Skud		11: 10.3	↗
		12: 10.3	↗
		13: 9.9	↗
		14: 9.8	↗
		15: 10.1	↗
		16: 10.1	↗
		17: 10.3	↘
		18: 10.9x	↘
		19: 10.2	↗
		20: 10.4	↖
		Serie	98.0
		Total	197.0

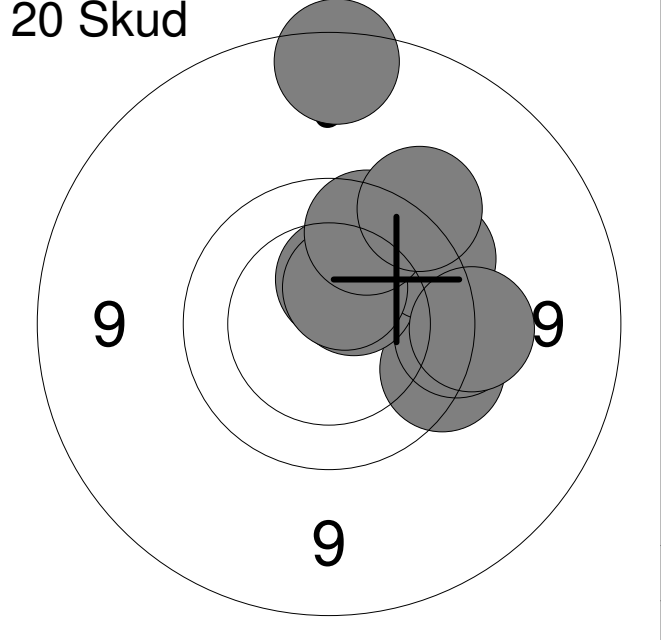
Hold	Skive	Victor B. Nielsen		
32	12	Aalborg Skyttekreds		J1
15m	Nordjysk mesterskab 2015		Aalborg Skyttekreds	
30.01.2015				
Prøve		1:	10.5	↗
		2:	10.5x	↑
		3:	10.7x	←
		4:	10.7x	↙
		Serie	40.0	
		Total	0.0	
20 Skud		1:	10.4	↓
		2:	10.6x	↙
		3:	10.7x	↙
		4:	10.7x	↙
		5:	10.7x	↑
		6:	10.7x	↑
		7:	10.5	↓
		8:	10.5x	↘
		9:	10.8x	↓
		10:	10.8x	↑
		Serie	100.0	
		Total	100.0	
20 Skud		11:	10.9x	↗
		12:	10.6x	↓
		13:	9.9	↘
		14:	10.6x	→
		15:	10.5x	→
		16:	10.2	↑
		17:	10.8x	↓
		18:	10.2	←
		19:	10.6x	↙
		20:	10.5	↘
		Serie	99.0	
		Total	199.0	

Hold	Skive	Nina Guldbæk Larsen	
33	1	15m	Mou & Omegns Skf. MB3
30.01.2015	Nordjysk mesterskab 2015	Aalborg Skyttekreds	
Prøve 	1: 9.4 ↗ 2: 9.7 ↗ 3: 9.3 ↑ 4: 10.2 → 5: 9.8 ↑ 6: 9.3 ↑ 7: 9.8 ↑ 8: 10.7x ↗ 9: 10.8x →		
	Serie 84.0 Total 0.0		
20 Skud 	1: 10.4 ↓ 2: 9.8 ↓ 3: 10.9x → 4: 10.6x ↗ 5: 9.9 ↑ 6: 10.5x ↓ 7: 10.1 ↓ 8: 10.4 ↑ 9: 10.3 ↓ 10: 10.2 →		
	Serie 98.0 Total 98.0		
20 Skud 	11: 8.8 ↑ 12: 10.8x ↑ 13: 10.3 ↓ 14: 9.7 → 15: 10.2 ↓ 16: 10.1 ↗ 17: 10.6x ↑ 18: 9.9 ↑ 19: 10.3 ↙ 20: 10.6x ↖		
	Serie 96.0 Total 194.0		

Hold 33	Skive 2	Jakob Imer	
15m	Vadum Skf.		MB2
30.01.2015	Nordjysk mesterskab 2015	Aalborg Skyttekreds	
Prøve 	1:	10.1	←
	2:	10.7x	↓
	3:	9.7	↓
	4:	10.2	↗
	5:	9.9	←
	6:	9.8	↗
	7:	9.8	←
	8:	10.3	↓
	9:	9.9	↗
	10:	10.1	→
	Serie		95.0
Total		0.0	
20 Skud 	1:	10.8x	↗
	2:	10.8x	↓
	3:	10.2	←
	4:	9.9	↗
	5:	10.1	↗
	6:	10.4	↓
	7:	10.7x	↗
	8:	9.4	↑
	9:	10.3	→
	10:	10.6x	←
	Serie		98.0
Total		98.0	
20 Skud 	11:	10.6x	↗
	12:	10.2	↖
	13:	10.8x	↗
	14:	10.6x	↗
	15:	10.2	→
	16:	10.5	←
	17:	10.5x	↗
	18:	10.5	↗
	19:	10.6x	↗
	20:	10.9x	↑
	Serie		100.0
Total		198.0	

<p>Prøve</p> 	<table style="width:100%; border-collapse: collapse;"> <tr><td style="width:10%;">1:</td><td style="width:70%;">9.5</td><td style="width:20%; text-align: right;">→</td></tr> <tr><td>2:</td><td>9.3</td><td style="text-align: right;">↗</td></tr> <tr><td>3:</td><td>10.1</td><td style="text-align: right;">↑</td></tr> <tr><td>4:</td><td>10.0</td><td style="text-align: right;">↖</td></tr> <tr><td>5:</td><td>9.9</td><td style="text-align: right;">↓</td></tr> <tr><td>6:</td><td>10.5x</td><td style="text-align: right;">↑</td></tr> <tr><td>7:</td><td>9.8</td><td style="text-align: right;">↑</td></tr> <tr><td>8:</td><td>10.1</td><td style="text-align: right;">↗</td></tr> <tr><td>9:</td><td>9.9</td><td style="text-align: right;">↑</td></tr> <tr><td>10:</td><td>10.0</td><td style="text-align: right;">↑</td></tr> <tr><td colspan="2">Serie</td><td style="text-align: right;">95.0</td></tr> <tr><td colspan="2">Total</td><td style="text-align: right;">0.0</td></tr> </table>	1:	9.5	→	2:	9.3	↗	3:	10.1	↑	4:	10.0	↖	5:	9.9	↓	6:	10.5x	↑	7:	9.8	↑	8:	10.1	↗	9:	9.9	↑	10:	10.0	↑	Serie		95.0	Total		0.0
1:	9.5	→																																			
2:	9.3	↗																																			
3:	10.1	↑																																			
4:	10.0	↖																																			
5:	9.9	↓																																			
6:	10.5x	↑																																			
7:	9.8	↑																																			
8:	10.1	↗																																			
9:	9.9	↑																																			
10:	10.0	↑																																			
Serie		95.0																																			
Total		0.0																																			

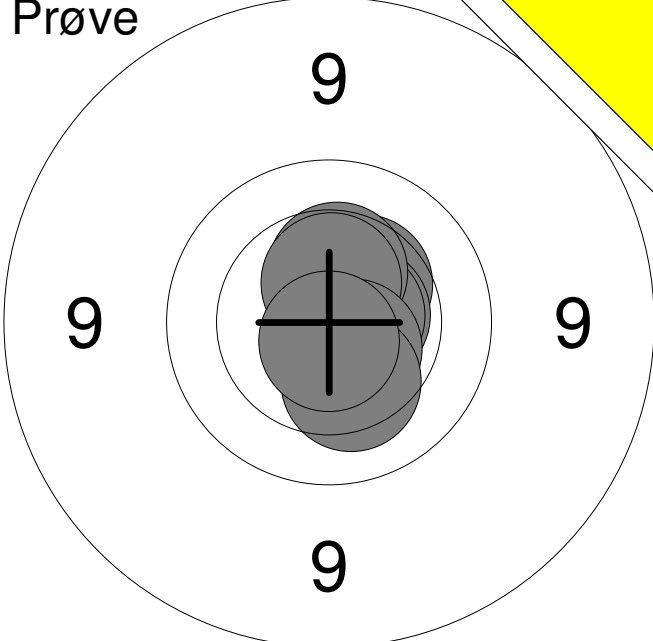
<p>20 Skud</p> 	<table style="width:100%; border-collapse: collapse;"> <tr><td style="width:10%;">1:</td><td style="width:70%;">9.5</td><td style="width:20%; text-align: right;">↑</td></tr> <tr><td>2:</td><td>9.5</td><td style="text-align: right;">↑</td></tr> <tr><td>3:</td><td>9.9</td><td style="text-align: right;">↗</td></tr> <tr><td>4:</td><td>9.9</td><td style="text-align: right;">↗</td></tr> <tr><td>5:</td><td>9.4</td><td style="text-align: right;">↑</td></tr> <tr><td>6:</td><td>10.1</td><td style="text-align: right;">↑</td></tr> <tr><td>7:</td><td>9.7</td><td style="text-align: right;">→</td></tr> <tr><td>8:</td><td>10.3</td><td style="text-align: right;">↗</td></tr> <tr><td>9:</td><td>9.3</td><td style="text-align: right;">↑</td></tr> <tr><td>10:</td><td>9.9</td><td style="text-align: right;">→</td></tr> <tr><td colspan="2">Serie</td><td style="text-align: right;">92.0</td></tr> <tr><td colspan="2">Total</td><td style="text-align: right;">92.0</td></tr> </table>	1:	9.5	↑	2:	9.5	↑	3:	9.9	↗	4:	9.9	↗	5:	9.4	↑	6:	10.1	↑	7:	9.7	→	8:	10.3	↗	9:	9.3	↑	10:	9.9	→	Serie		92.0	Total		92.0
1:	9.5	↑																																			
2:	9.5	↑																																			
3:	9.9	↗																																			
4:	9.9	↗																																			
5:	9.4	↑																																			
6:	10.1	↑																																			
7:	9.7	→																																			
8:	10.3	↗																																			
9:	9.3	↑																																			
10:	9.9	→																																			
Serie		92.0																																			
Total		92.0																																			

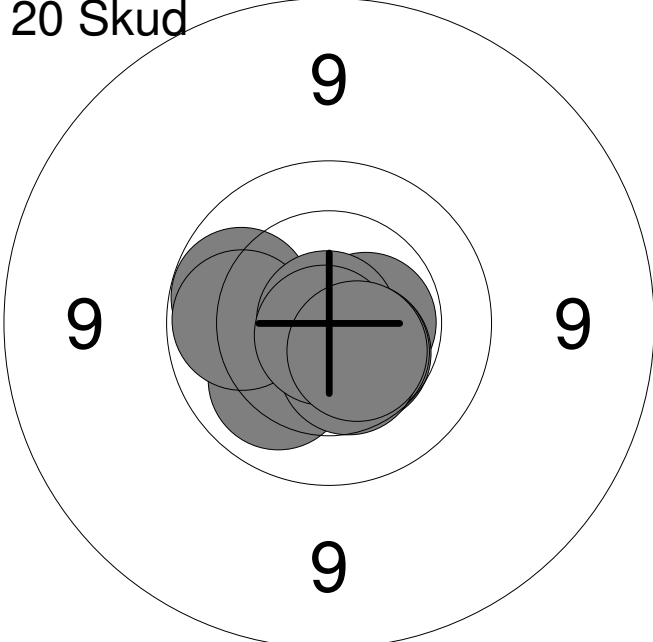
<p>20 Skud</p> 	<table style="width:100%; border-collapse: collapse;"> <tr><td style="width:10%;">11:</td><td style="width:70%;">9.7</td><td style="width:20%; text-align: right;">→</td></tr> <tr><td>12:</td><td>9.6</td><td style="text-align: right;">→</td></tr> <tr><td>13:</td><td>10.5</td><td style="text-align: right;">↗</td></tr> <tr><td>14:</td><td>9.7</td><td style="text-align: right;">↗</td></tr> <tr><td>15:</td><td>10.4</td><td style="text-align: right;">↑</td></tr> <tr><td>16:</td><td>9.5</td><td style="text-align: right;">→</td></tr> <tr><td>17:</td><td>10.5</td><td style="text-align: right;">↑</td></tr> <tr><td>18:</td><td>8.8</td><td style="text-align: right;">↑</td></tr> <tr><td>19:</td><td>9.8</td><td style="text-align: right;">↑</td></tr> <tr><td>20:</td><td>9.5</td><td style="text-align: right;">↗</td></tr> <tr><td colspan="2">Serie</td><td style="text-align: right;">92.0</td></tr> <tr><td colspan="2">Total</td><td style="text-align: right;">184.0</td></tr> </table>	11:	9.7	→	12:	9.6	→	13:	10.5	↗	14:	9.7	↗	15:	10.4	↑	16:	9.5	→	17:	10.5	↑	18:	8.8	↑	19:	9.8	↑	20:	9.5	↗	Serie		92.0	Total		184.0
11:	9.7	→																																			
12:	9.6	→																																			
13:	10.5	↗																																			
14:	9.7	↗																																			
15:	10.4	↑																																			
16:	9.5	→																																			
17:	10.5	↑																																			
18:	8.8	↑																																			
19:	9.8	↑																																			
20:	9.5	↗																																			
Serie		92.0																																			
Total		184.0																																			

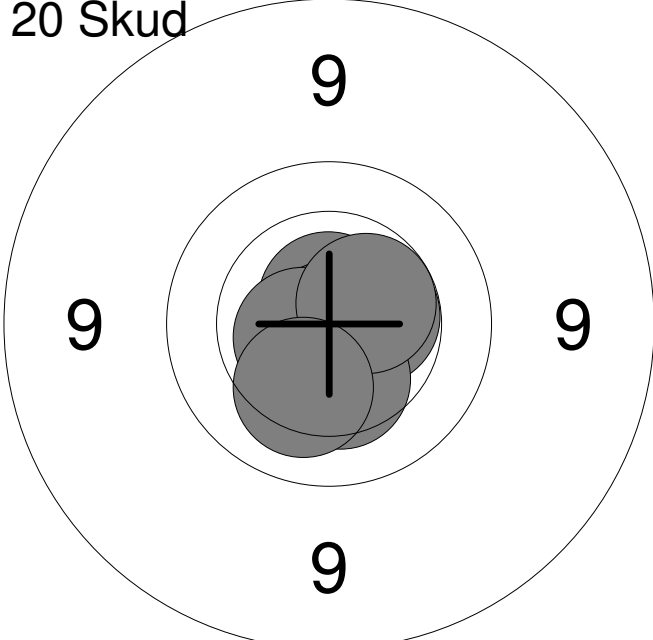
Hold 33	Skive 4	Kasper Schultz	
-------------------	-------------------	-----------------------	--

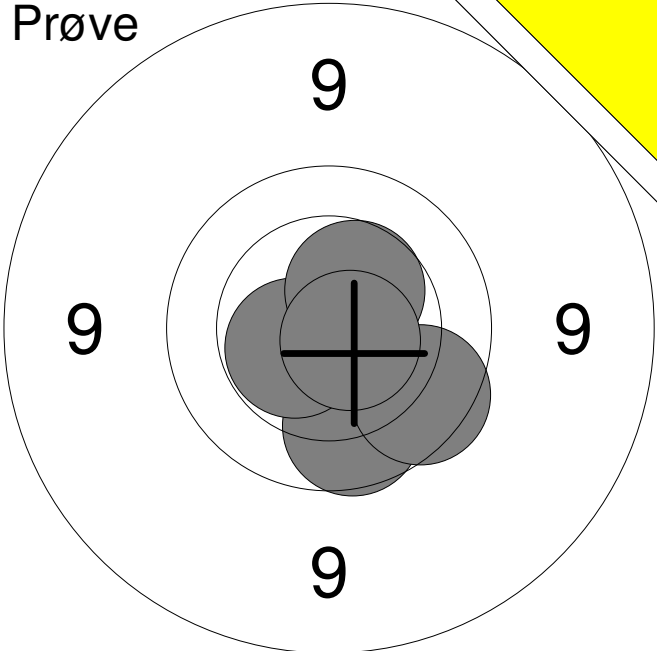
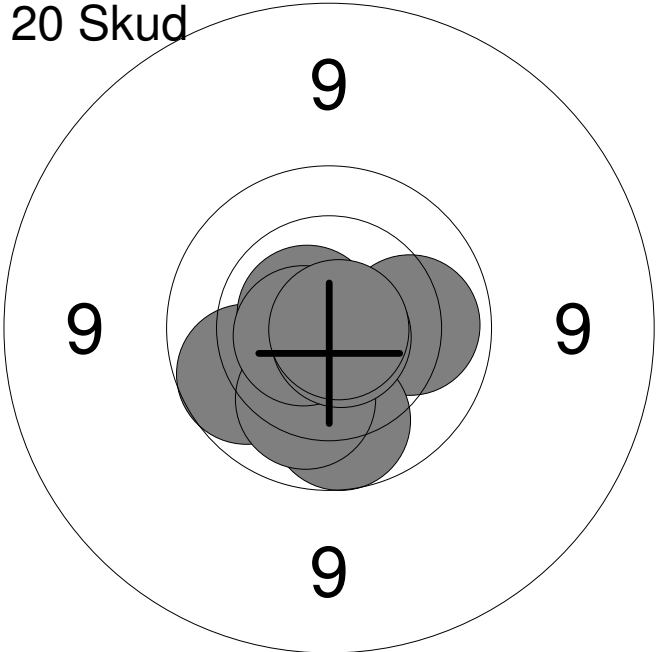
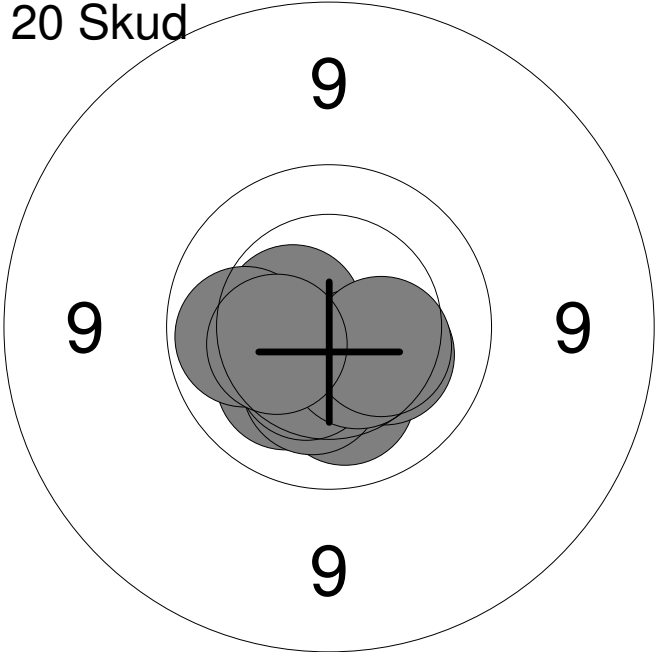
15m	Aalborg Skyttekreds	MJ1	
-----	---------------------	-----	--

30.01.2015	Nordjysk mesterskab 2015	Aalborg Skyttekreds	
------------	--------------------------	---------------------	--

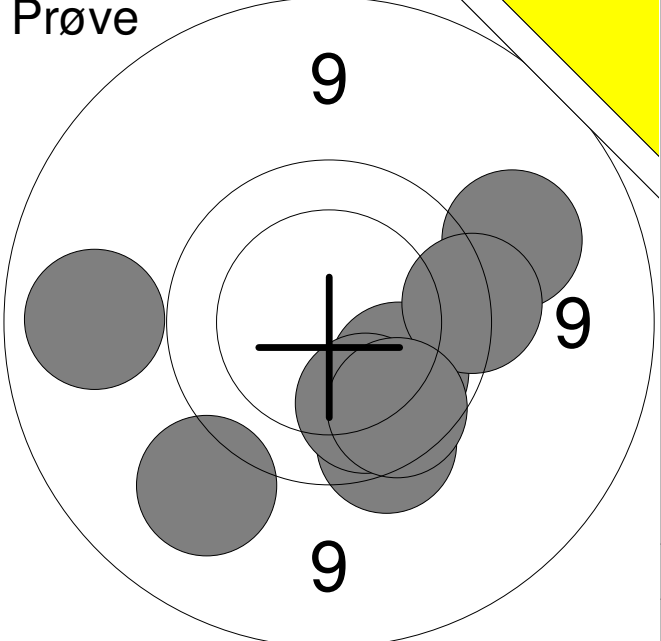
Prøve 	1: 10.4 ↗
	2: 10.6x →
	3: 10.7x →
	4: 10.4 ↑
	5: 10.5x ↑
	6: 10.6x ↘
	7: 10.3 ↘
	8: 10.7x ↓
	Serie 80.0
	Total 0.0

20 Skud 	1: 10.1 ↙
	2: 10.0 ←
	3: 10.5x →
	4: 10.5 ↘
	5: 10.5x ↘
	6: 10.5 ↘
	7: 10.0 ←
	8: 10.9x ↗
	9: 10.8x ↘
	10: 10.5x ↘
Serie 100.0	
Total 100.0	

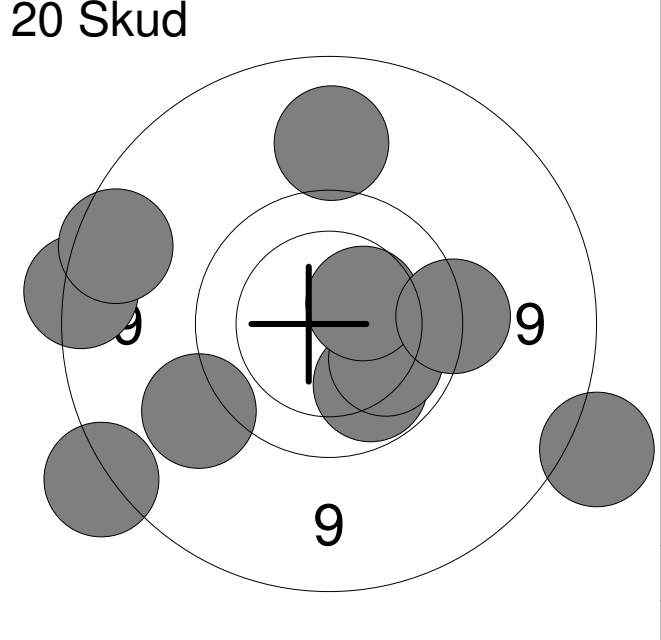
20 Skud 	11: 10.5x ↓
	12: 10.7x ↑
	13: 10.9x ↘
	14: 10.6x ↙
	15: 10.7x ↘
	16: 10.5x →
	17: 10.3 ↘
	18: 10.6x ←
	19: 10.5x ↗
	20: 10.2 ↓
Serie 100.0	
Total 200.0	

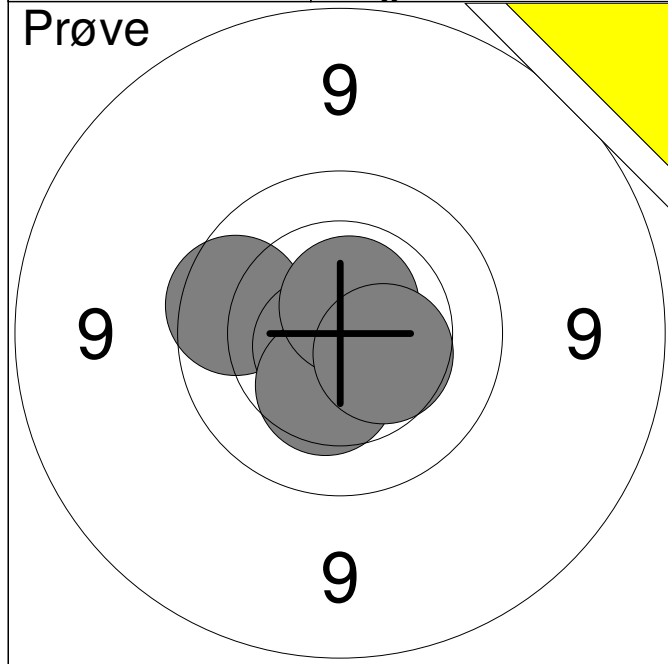
Hold	Skive	Clara Imer	
33	5		
15m	Vadum Skf.		MB2
30.01.2015	Nordjysk mesterskab 2015	Aalborg Skyttekreds	
Prøve		1: 9.9	↘
		2: 9.8	↘
		3: 10.5x	↙
		4: 10.5	↗
		6: 10.7x	↘
		Serie	48.0
		Total	0.0
20 Skud		1: 9.9	↙
		2: 10.8x	↘
		3: 10.7x	↘
		4: 10.1	→
		5: 10.7x	↗
		6: 9.9	↘
		7: 10.1	↘
		8: 10.7x	↙
		9: 10.8x	↘
		10: 10.8x	→
		Serie	98.0
		Total	98.0
20 Skud		11: 10.2	↘
		12: 10.3	↘
		13: 10.2	↙
		14: 10.3	↘
		15: 10.4	↘
		16: 10.5x	↗
		17: 10.5x	↘
		18: 10.3	↘
		19: 10.0	↙
		20: 10.4	↙
		Serie	100.0
		Total	198.0

Hold	Skive	Jacob Schultz		
33	6	Aalborg Skyttekreds		MB1
15m	Nordjysk mesterskab 2015		Aalborg Skyttekreds	
30.01.2015				
Prøve		1:	9.9	↗
		2:	10.6x	↘
		3:	10.4	↗
		4:	10.5	↗
		5:	10.7x	↗
		Serie	49.0	
		Total	0.0	
20 Skud		1:	10.4	↖
		2:	10.6x	↗
		3:	10.7x	↗
		4:	10.7x	↖
		5:	10.5x	↗
		6:	10.8x	↖
		7:	10.7x	↗
		8:	10.7x	↖
		9:	10.7x	↗
		10:	10.7x	↗
		Serie	100.0	
		Total	100.0	
20 Skud		11:	10.6x	↘
		12:	10.8x	↘
		13:	9.9	↘
		14:	10.6x	↖
		15:	10.7x	↗
		16:	10.4	↗
		17:	10.7x	→
		18:	10.0	↗
		19:	10.7x	→
		20:	10.6x	↑
		Serie	99.0	
		Total	199.0	

<p>Prøve</p> 	<table style="width:100%; border-collapse: collapse;"> <tr><td style="width:10%;">1:</td><td style="width:15%;">9.1</td><td style="width:10%; text-align: right;">←</td></tr> <tr><td>2:</td><td>10.0</td><td style="text-align: right;">↘</td></tr> <tr><td>3:</td><td>9.7</td><td style="text-align: right;">↘</td></tr> <tr><td>4:</td><td>9.3</td><td style="text-align: right;">→</td></tr> <tr><td>5:</td><td>9.6</td><td style="text-align: right;">→</td></tr> <tr><td>6:</td><td>10.0</td><td style="text-align: right;">↘</td></tr> <tr><td>7:</td><td>9.8</td><td style="text-align: right;">↘</td></tr> <tr><td>8:</td><td>9.3</td><td style="text-align: right;">↘</td></tr> <tr><td colspan="2">Serie</td><td style="text-align: right;">74.0</td></tr> <tr><td colspan="2">Total</td><td style="text-align: right;">0.0</td></tr> </table>	1:	9.1	←	2:	10.0	↘	3:	9.7	↘	4:	9.3	→	5:	9.6	→	6:	10.0	↘	7:	9.8	↘	8:	9.3	↘	Serie		74.0	Total		0.0
1:	9.1	←																													
2:	10.0	↘																													
3:	9.7	↘																													
4:	9.3	→																													
5:	9.6	→																													
6:	10.0	↘																													
7:	9.8	↘																													
8:	9.3	↘																													
Serie		74.0																													
Total		0.0																													

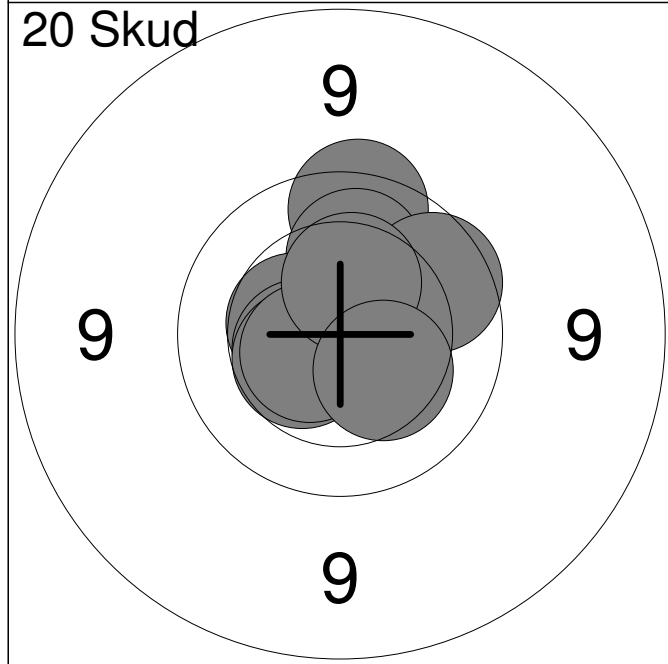
<p>20 Skud</p> 	<table style="width:100%; border-collapse: collapse;"> <tr><td style="width:10%;">1:</td><td style="width:15%;">9.5</td><td style="width:10%; text-align: right;">↙</td></tr> <tr><td>2:</td><td>9.5</td><td style="text-align: right;">↘</td></tr> <tr><td>3:</td><td>10.7x</td><td style="text-align: right;">↘</td></tr> <tr><td>4:</td><td>9.0</td><td style="text-align: right;">←</td></tr> <tr><td>5:</td><td>10.1</td><td style="text-align: right;">↗</td></tr> <tr><td>6:</td><td>10.7x</td><td style="text-align: right;">↑</td></tr> <tr><td>7:</td><td>10.0</td><td style="text-align: right;">↙</td></tr> <tr><td>8:</td><td>10.6x</td><td style="text-align: right;">↑</td></tr> <tr><td>9:</td><td>9.9</td><td style="text-align: right;">←</td></tr> <tr><td>10:</td><td>9.7</td><td style="text-align: right;">↘</td></tr> <tr><td colspan="2">Serie</td><td style="text-align: right;">95.0</td></tr> <tr><td colspan="2">Total</td><td style="text-align: right;">95.0</td></tr> </table>	1:	9.5	↙	2:	9.5	↘	3:	10.7x	↘	4:	9.0	←	5:	10.1	↗	6:	10.7x	↑	7:	10.0	↙	8:	10.6x	↑	9:	9.9	←	10:	9.7	↘	Serie		95.0	Total		95.0
1:	9.5	↙																																			
2:	9.5	↘																																			
3:	10.7x	↘																																			
4:	9.0	←																																			
5:	10.1	↗																																			
6:	10.7x	↑																																			
7:	10.0	↙																																			
8:	10.6x	↑																																			
9:	9.9	←																																			
10:	9.7	↘																																			
Serie		95.0																																			
Total		95.0																																			

<p>20 Skud</p> 	<table style="width:100%; border-collapse: collapse;"> <tr><td style="width:10%;">11:</td><td style="width:15%;">8.5</td><td style="width:10%; text-align: right;">↘</td></tr> <tr><td>12:</td><td>10.0</td><td style="text-align: right;">↘</td></tr> <tr><td>13:</td><td>8.8</td><td style="text-align: right;">←</td></tr> <tr><td>14:</td><td>9.3</td><td style="text-align: right;">↙</td></tr> <tr><td>15:</td><td>8.9</td><td style="text-align: right;">↖</td></tr> <tr><td>16:</td><td>10.1</td><td style="text-align: right;">↘</td></tr> <tr><td>17:</td><td>10.4</td><td style="text-align: right;">↗</td></tr> <tr><td>18:</td><td>9.2</td><td style="text-align: right;">↑</td></tr> <tr><td>19:</td><td>8.6</td><td style="text-align: right;">↙</td></tr> <tr><td>20:</td><td>9.6</td><td style="text-align: right;">→</td></tr> <tr><td colspan="2">Serie</td><td style="text-align: right;">89.0</td></tr> <tr><td colspan="2">Total</td><td style="text-align: right;">184.0</td></tr> </table>	11:	8.5	↘	12:	10.0	↘	13:	8.8	←	14:	9.3	↙	15:	8.9	↖	16:	10.1	↘	17:	10.4	↗	18:	9.2	↑	19:	8.6	↙	20:	9.6	→	Serie		89.0	Total		184.0
11:	8.5	↘																																			
12:	10.0	↘																																			
13:	8.8	←																																			
14:	9.3	↙																																			
15:	8.9	↖																																			
16:	10.1	↘																																			
17:	10.4	↗																																			
18:	9.2	↑																																			
19:	8.6	↙																																			
20:	9.6	→																																			
Serie		89.0																																			
Total		184.0																																			



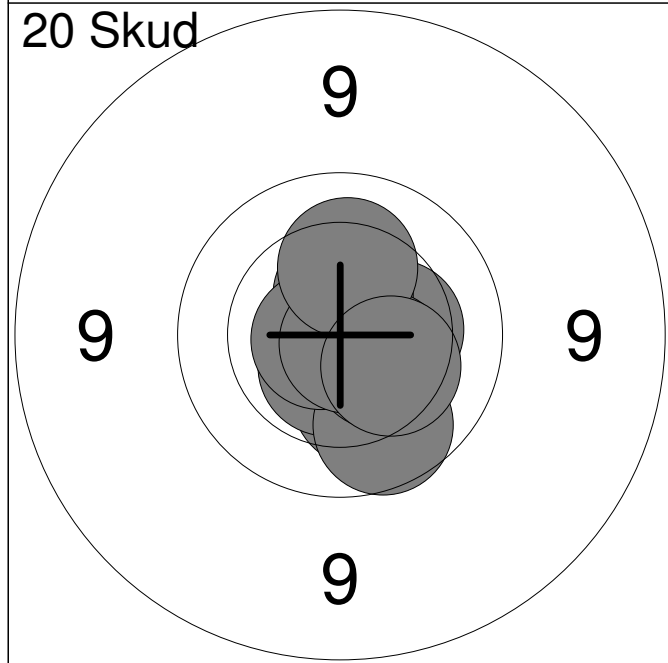
1:	9.9	←
2:	10.7x	↙
3:	10.7x	↓
4:	10.4	↘
5:	10.6x	↑
6:	10.4	↘

Serie	59.0
Total	0.0



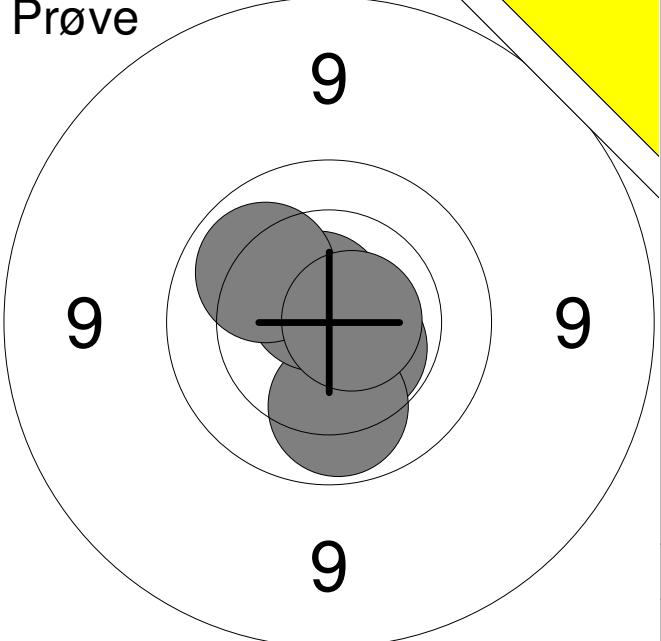
1:	9.7	↑
2:	10.1	↑
3:	10.5	←
4:	10.5x	←
5:	10.5	↙
6:	10.7x	↗
7:	9.9	↗
8:	10.6x	←
9:	10.4	↑
10:	10.3	↘

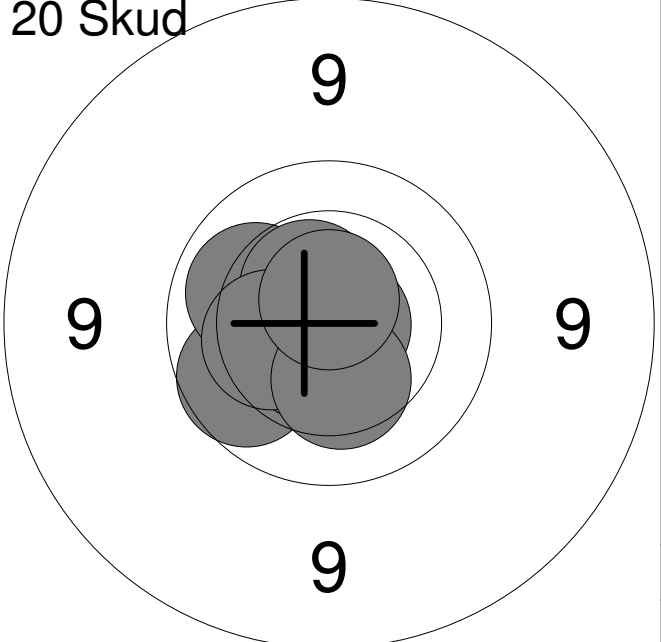
Serie	98.0
Total	98.0

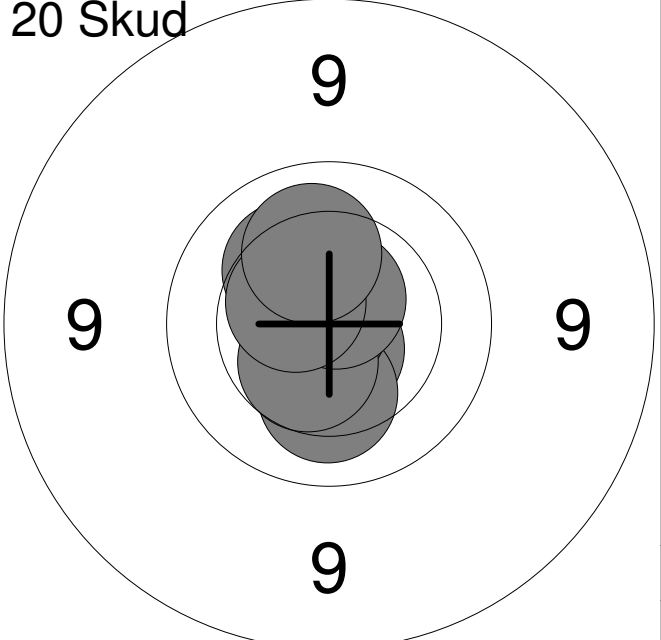


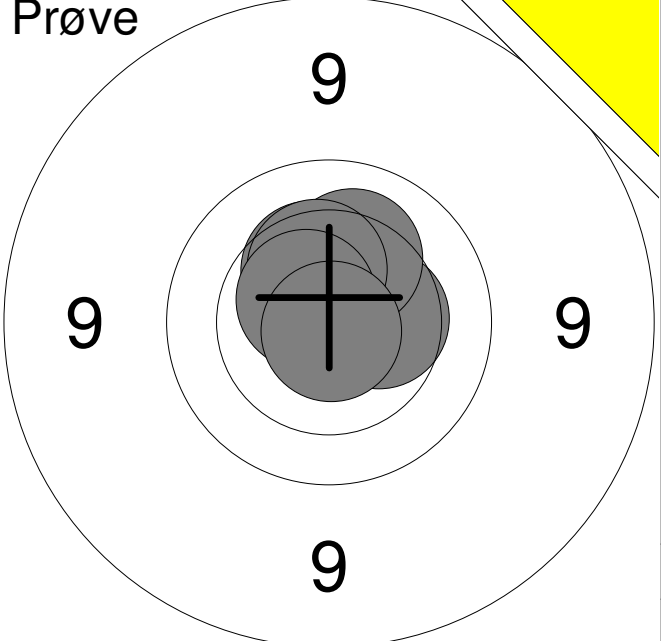
11:	10.2	↓
12:	10.4	→
13:	10.6x	↓
14:	9.9	↓
15:	10.5x	↑
16:	10.7x	←
17:	10.4	↘
18:	10.8x	↓
19:	10.2	↑
20:	10.3	↘

Serie	99.0
Total	197.0

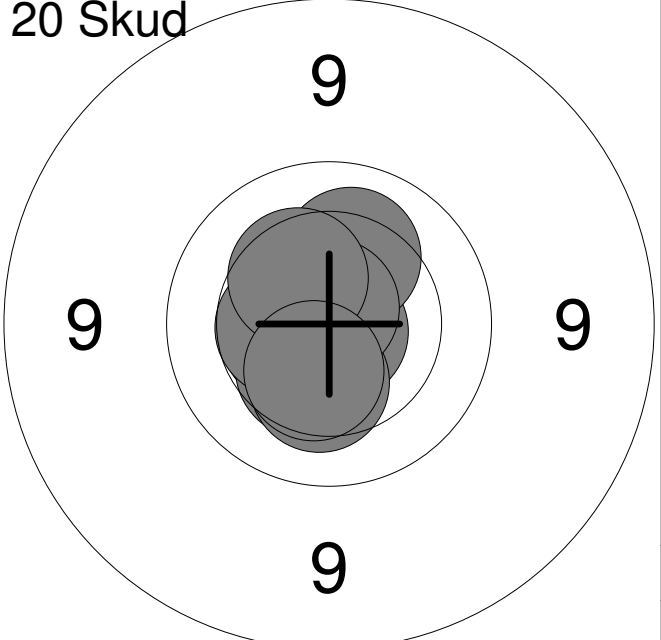
<p>Prøve</p> 	<table style="width:100%;"> <tr><td>1:</td><td>10.5x</td><td style="text-align: right;">↘</td></tr> <tr><td>2:</td><td>10.0</td><td style="text-align: right;">↘</td></tr> <tr><td>3:</td><td>10.7x</td><td style="text-align: right;">↗</td></tr> <tr><td>4:</td><td>10.1</td><td style="text-align: right;">↗</td></tr> <tr><td>5:</td><td>10.7x</td><td style="text-align: right;">→</td></tr> </table>	1:	10.5x	↘	2:	10.0	↘	3:	10.7x	↗	4:	10.1	↗	5:	10.7x	→
1:	10.5x	↘														
2:	10.0	↘														
3:	10.7x	↗														
4:	10.1	↗														
5:	10.7x	→														
<table style="width:100%; border-collapse: collapse;"> <tr> <td style="width:80%;">Serie</td> <td style="text-align: right;">50.0</td> </tr> <tr> <td>Total</td> <td style="text-align: right;">0.0</td> </tr> </table>		Serie	50.0	Total	0.0											
Serie	50.0															
Total	0.0															

<p>20 Skud</p> 	<table style="width:100%;"> <tr><td>1:</td><td>10.4</td><td style="text-align: right;">←</td></tr> <tr><td>2:</td><td>9.9</td><td style="text-align: right;">←</td></tr> <tr><td>3:</td><td>10.8x</td><td style="text-align: right;">→</td></tr> <tr><td>4:</td><td>10.1</td><td style="text-align: right;">↗</td></tr> <tr><td>5:</td><td>10.8x</td><td style="text-align: right;">↗</td></tr> <tr><td>6:</td><td>10.6x</td><td style="text-align: right;">↘</td></tr> <tr><td>7:</td><td>10.5x</td><td style="text-align: right;">↗</td></tr> <tr><td>8:</td><td>10.3</td><td style="text-align: right;">←</td></tr> <tr><td>9:</td><td>10.3</td><td style="text-align: right;">↘</td></tr> <tr><td>10:</td><td>10.7x</td><td style="text-align: right;">↑</td></tr> </table>	1:	10.4	←	2:	9.9	←	3:	10.8x	→	4:	10.1	↗	5:	10.8x	↗	6:	10.6x	↘	7:	10.5x	↗	8:	10.3	←	9:	10.3	↘	10:	10.7x	↑
1:	10.4	←																													
2:	9.9	←																													
3:	10.8x	→																													
4:	10.1	↗																													
5:	10.8x	↗																													
6:	10.6x	↘																													
7:	10.5x	↗																													
8:	10.3	←																													
9:	10.3	↘																													
10:	10.7x	↑																													
<table style="width:100%; border-collapse: collapse;"> <tr> <td style="width:80%;">Serie</td> <td style="text-align: right;">99.0</td> </tr> <tr> <td>Total</td> <td style="text-align: right;">99.0</td> </tr> </table>		Serie	99.0	Total	99.0																										
Serie	99.0																														
Total	99.0																														

<p>20 Skud</p> 	<table style="width:100%;"> <tr><td>11:</td><td>10.7x</td><td style="text-align: right;">←</td></tr> <tr><td>12:</td><td>10.7x</td><td style="text-align: right;">↘</td></tr> <tr><td>13:</td><td>10.2</td><td style="text-align: right;">↘</td></tr> <tr><td>14:</td><td>10.8x</td><td style="text-align: right;">↗</td></tr> <tr><td>15:</td><td>10.5</td><td style="text-align: right;">↘</td></tr> <tr><td>16:</td><td>10.4</td><td style="text-align: right;">↗</td></tr> <tr><td>17:</td><td>10.2</td><td style="text-align: right;">↗</td></tr> <tr><td>18:</td><td>10.7x</td><td style="text-align: right;">↗</td></tr> <tr><td>19:</td><td>10.5x</td><td style="text-align: right;">↗</td></tr> <tr><td>20:</td><td>10.2</td><td style="text-align: right;">↑</td></tr> </table>	11:	10.7x	←	12:	10.7x	↘	13:	10.2	↘	14:	10.8x	↗	15:	10.5	↘	16:	10.4	↗	17:	10.2	↗	18:	10.7x	↗	19:	10.5x	↗	20:	10.2	↑
11:	10.7x	←																													
12:	10.7x	↘																													
13:	10.2	↘																													
14:	10.8x	↗																													
15:	10.5	↘																													
16:	10.4	↗																													
17:	10.2	↗																													
18:	10.7x	↗																													
19:	10.5x	↗																													
20:	10.2	↑																													
<table style="width:100%; border-collapse: collapse;"> <tr> <td style="width:80%;">Serie</td> <td style="text-align: right;">100.0</td> </tr> <tr> <td>Total</td> <td style="text-align: right;">199.0</td> </tr> </table>		Serie	100.0	Total	199.0																										
Serie	100.0																														
Total	199.0																														

<p>Prøve</p> 	<table style="width:100%; border-collapse: collapse;"> <tr><td style="width:10%;">1:</td><td style="width:80%;">10.4</td><td style="width:10%; text-align: right;">→</td></tr> <tr><td>2:</td><td>10.4</td><td style="text-align: right;">↑</td></tr> <tr><td>3:</td><td>10.2</td><td style="text-align: right;">↑</td></tr> <tr><td>4:</td><td>10.4</td><td style="text-align: right;">↑</td></tr> <tr><td>5:</td><td>10.6x</td><td style="text-align: right;">↑</td></tr> <tr><td>6:</td><td>10.8x</td><td style="text-align: right;">↓</td></tr> </table>	1:	10.4	→	2:	10.4	↑	3:	10.2	↑	4:	10.4	↑	5:	10.6x	↑	6:	10.8x	↓
1:	10.4	→																	
2:	10.4	↑																	
3:	10.2	↑																	
4:	10.4	↑																	
5:	10.6x	↑																	
6:	10.8x	↓																	
<table style="width:100%; border-collapse: collapse;"> <tr> <td style="width:80%;">Serie</td> <td style="text-align: right;">60.0</td> </tr> <tr> <td>Total</td> <td style="text-align: right;">0.0</td> </tr> </table>		Serie	60.0	Total	0.0														
Serie	60.0																		
Total	0.0																		

<p>20 Skud</p> 	<table style="width:100%; border-collapse: collapse;"> <tr><td style="width:10%;">1:</td><td style="width:80%;">10.6x</td><td style="width:10%; text-align: right;">↓</td></tr> <tr><td>2:</td><td>10.5</td><td style="text-align: right;">←</td></tr> <tr><td>3:</td><td>10.5x</td><td style="text-align: right;">↙</td></tr> <tr><td>4:</td><td>10.8x</td><td style="text-align: right;">←</td></tr> <tr><td>5:</td><td>10.8x</td><td style="text-align: right;">↓</td></tr> <tr><td>6:</td><td>10.5x</td><td style="text-align: right;">↓</td></tr> <tr><td>7:</td><td>10.5</td><td style="text-align: right;">→</td></tr> <tr><td>8:</td><td>10.7x</td><td style="text-align: right;">↙</td></tr> <tr><td>9:</td><td>10.6x</td><td style="text-align: right;">←</td></tr> <tr><td>10:</td><td>10.6x</td><td style="text-align: right;">↘</td></tr> </table>	1:	10.6x	↓	2:	10.5	←	3:	10.5x	↙	4:	10.8x	←	5:	10.8x	↓	6:	10.5x	↓	7:	10.5	→	8:	10.7x	↙	9:	10.6x	←	10:	10.6x	↘
1:	10.6x	↓																													
2:	10.5	←																													
3:	10.5x	↙																													
4:	10.8x	←																													
5:	10.8x	↓																													
6:	10.5x	↓																													
7:	10.5	→																													
8:	10.7x	↙																													
9:	10.6x	←																													
10:	10.6x	↘																													
<table style="width:100%; border-collapse: collapse;"> <tr> <td style="width:80%;">Serie</td> <td style="text-align: right;">100.0</td> </tr> <tr> <td>Total</td> <td style="text-align: right;">100.0</td> </tr> </table>		Serie	100.0	Total	100.0																										
Serie	100.0																														
Total	100.0																														

<p>20 Skud</p> 	<table style="width:100%; border-collapse: collapse;"> <tr><td style="width:10%;">11:</td><td style="width:80%;">10.8x</td><td style="width:10%; text-align: right;">↘</td></tr> <tr><td>12:</td><td>10.5x</td><td style="text-align: right;">←</td></tr> <tr><td>13:</td><td>10.4</td><td style="text-align: right;">↙</td></tr> <tr><td>14:</td><td>10.7x</td><td style="text-align: right;">←</td></tr> <tr><td>15:</td><td>10.3</td><td style="text-align: right;">↓</td></tr> <tr><td>16:</td><td>10.2</td><td style="text-align: right;">↑</td></tr> <tr><td>17:</td><td>10.8x</td><td style="text-align: right;">↑</td></tr> <tr><td>18:</td><td>10.5</td><td style="text-align: right;">←</td></tr> <tr><td>19:</td><td>10.4</td><td style="text-align: right;">↑</td></tr> <tr><td>20:</td><td>10.4</td><td style="text-align: right;">↓</td></tr> </table>	11:	10.8x	↘	12:	10.5x	←	13:	10.4	↙	14:	10.7x	←	15:	10.3	↓	16:	10.2	↑	17:	10.8x	↑	18:	10.5	←	19:	10.4	↑	20:	10.4	↓
11:	10.8x	↘																													
12:	10.5x	←																													
13:	10.4	↙																													
14:	10.7x	←																													
15:	10.3	↓																													
16:	10.2	↑																													
17:	10.8x	↑																													
18:	10.5	←																													
19:	10.4	↑																													
20:	10.4	↓																													
<table style="width:100%; border-collapse: collapse;"> <tr> <td style="width:80%;">Serie</td> <td style="text-align: right;">100.0</td> </tr> <tr> <td>Total</td> <td style="text-align: right;">200.0</td> </tr> </table>		Serie	100.0	Total	200.0																										
Serie	100.0																														
Total	200.0																														